

HS-104 Low Power Accelerometer

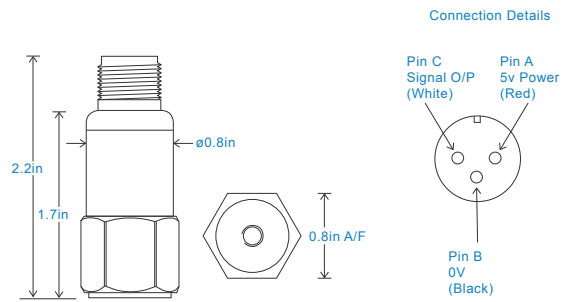
AC acceleration output via 3 Pin MS Connector

Key Features

- Low voltage
- Ultra low power consumption
- Customisable features

Industries

Building services, Pulp and Paper, Mining, Metals, Utilities, Automotive, Water, Pharmaceutical



Technical Performance

Mounted Base Resonance	see 'How To Order' table (nominal)
Sensitivity	see: 'How To Order' table $\pm 10\%$ Nominal 80Hz at 71°F
Frequency Response	18cpm (0.3Hz) to 600kcpm (10kHz) $\pm 10\%$
Isolation	Base isolated
Range	see: 'How To Order' table @ 5V power
Transverse Sensitivity	Less than 5%
Amplitude Linearity	$\pm 1\%$

Mechanical

Case Material	Stainless Steel
Sensing Element/Construction	PZT/Shear
Mounting Torque	5.9ft. lbs
Weight	3.7 oz. (nominal)
Screened Cable Assembly	see: www.hansfordsensors.com for options
Connector	HS-AA005 - non-booted HS-AA068 or HS-AA069 - booted
Mounting Threads	see: 'How To Order' table

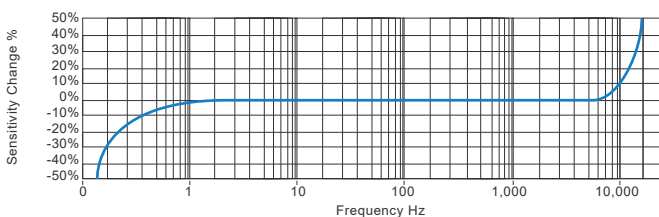
Electrical

Electrical Noise	< 500 μ g
Power Requirements	5V nominal (other voltages 1.8 to 24V on request)
Current Consumption	100 μ A nominal at 5V supply (60 μ A at 1.8V)
Bias Voltage	50% of supply voltage
Settling Time	1 second
Output Impedance	100 Ohms max.
Case Isolation	>10 ⁸ Ohms at 500 Volts

Environmental

Operating Temperature Range	-58 to 257°F
Sealing	IP68
Maximum Shock	5000g
EMC	EN61326-1:2013

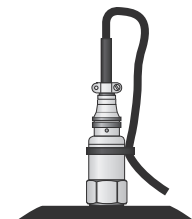
Typical Frequency Response (at 100mV/g)



Applications

Fans, Motors, Pumps, Compressors, Centrifuges, Conveyors, Air Handlers, Gearboxes, Rolls, Dryers, Presses, Cooling, VAC, Spindles, Machine Tooling, Process Equipment

Vibration sensor should be firmly fixed to a flat surface (spot face surface may be needed to be produced and cable anchored to sensor body.)



How To Order

Product Prefix	Product Series	Cable Length (if integral cable)												
HS - Hansford Sensors	104 - Low Power Vibration Sensor	QXX - length specified in metres												
H	S	1	0	4	X	X	X	X	X	X	X	X	X	X
Extra Options (if required)		Sensitivity		Range	Resonant Frequency		Cable/Connector			Mounting Threads				
F - Filtered L - 316L Stainless Steel RT - Temperature Output PT100 S - 90° Side Exit T - Temperature Output		010 - 10mV/g 030 - 30mV/g 050 - 50mV/g 100 - 100mV/g 250 - 250mV/g 500 - 500mV/g		$\pm 200g$ $\pm 66g$ $\pm 40g$ $\pm 20g$ $\pm 8g$ $\pm 4g$	25kHz (1,500kcpm) 25kHz (1,500kcpm) 25kHz (1,500kcpm) 25kHz (1,500kcpm) 25kHz (1,500kcpm) 25kHz (1,500kcpm)		01 - PUR 03 - Braided 07 - Silicon 13 - Flame Retardant 52 - 3 Pin MS 54 - M12			01 - 1/4-28" UNF Female 02 - 1/4-28" UNF Male 05 - Quick Fit Female 06 - M6 x 1mm Male 08 - M8 x 1.25mm Male 10 - M10 x 1.5mm Male				



www.hansfordsensors.com
sales@hansfordsensors.com

We reserve the right to alter the specification of this product without prior notice
TS854U.2

