

Generalities

The horizontal single stage close coupled pumps of the range HMP-N/S are intended for the pumping of clear or lightly charged corrosive liquid in the most various fields of industrial activities.

The range of HMP-N/S pumps offers flow rates up to 80 m³/h (352 US gpm) and a discharge head up to 80 mcl (262 ft).

Construction

The hydraulic part is manufactured of thick-walled plastic material.

None metal component is in contact with the pumped liquid.

Sealing

HMP-N/S pumps can be equipped with different mechanical seals accordingly to pumped fluid:

- **Single acting mechanical seal.**
- **Double acting mechanical seal.**



Construction

- > Polypropylene PP or PP-EL
- > Polyethylene PE-HD or PE-EL
- > PVC
- > PVDF or PVDF-EL
- > PTFE or PTFE-EL
- > PFA or PFA-EL

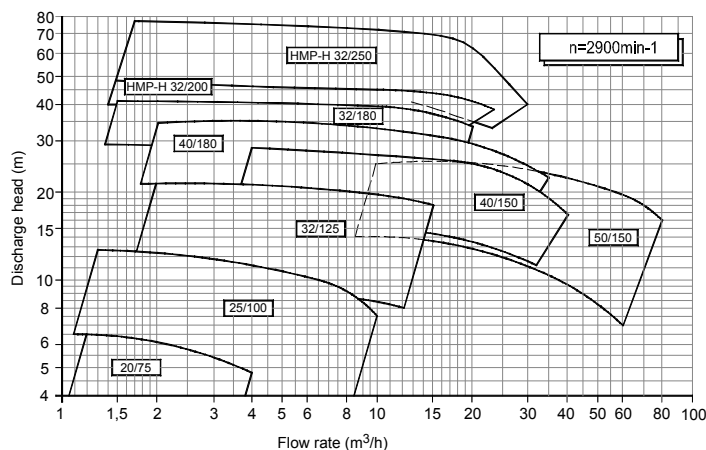
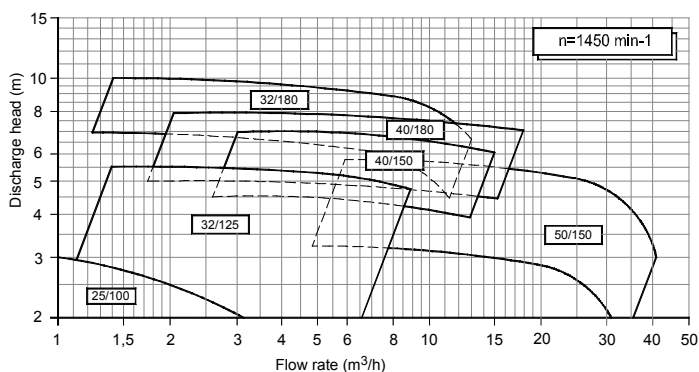
ATEX conformity



For the EC zone the HMP-N/S pumps are available certified as per ATEX 94/9/CE.

Voluntary certification INERIS 04 ATEX 3008X.

Diagrams

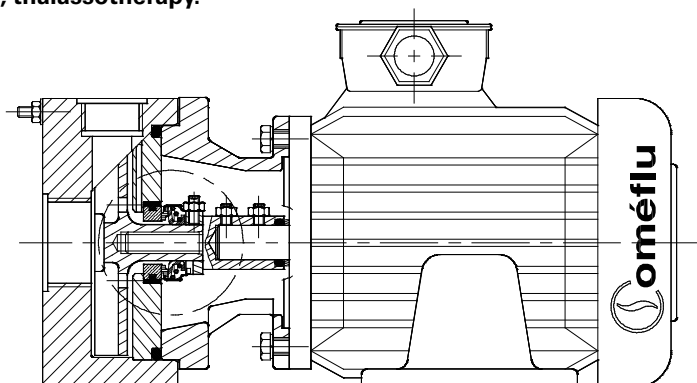


Application fields

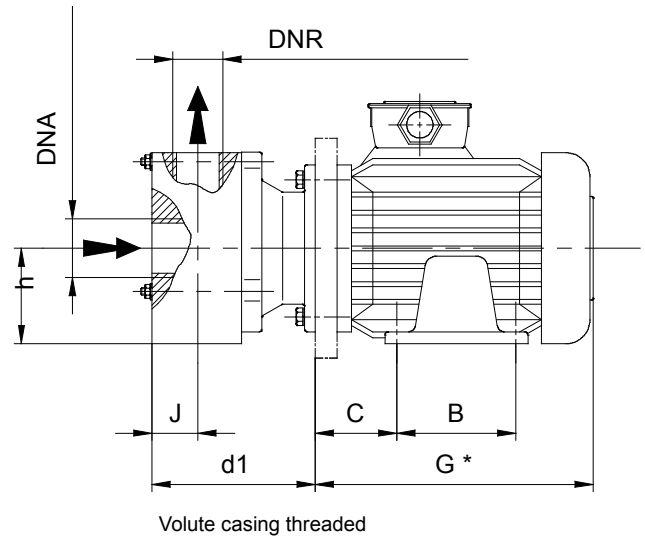
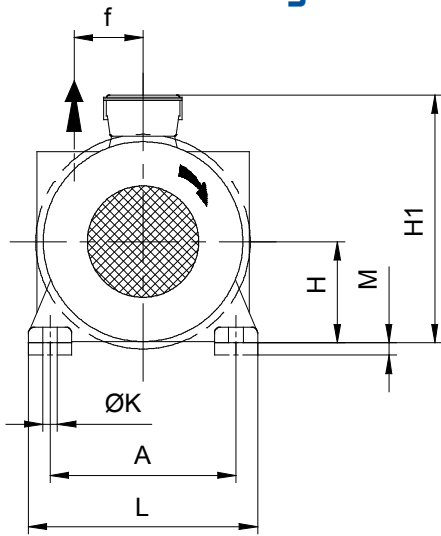
- Transfer of clear corrosive liquid or lightly charged.
- Effluents transfer.
- Scrubbers.
- Electroplating bath.
- Sea water, aquariums, thalassotherapy.

Main advantages

- Reliability and robustness due to the design with massive machined parts.
- Motors normalized as per IEC standards.
- Simplified maintenance..



Dimensional drawing

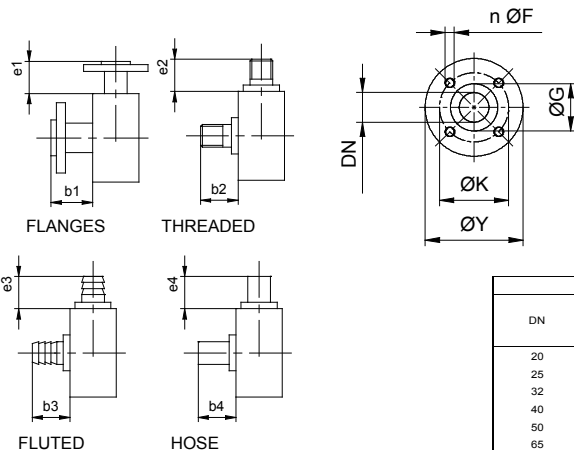


Pump installation is made by the motor's fastening
 Attention: If $h < H$, install shims under motor foot

Types	Flanges		Motors 3 phases - IP55												Pump and motor weight	Motors dimensions										GM E3**	GM E8**			
	DN A	DN R	2900 kW	1450 kW	Motors dimensions											b1	b2	b3	b4	e1	e2	e3	e4	f	j			h	d1	d1
					A	B	C	G*	H	H1*	K	L	M	ØK																
20/75	25	20	0,45		100	80	40	183	63	170	7	125	0	7	50	40	50	34	45	35	45	30	26	25	50	111				
25/100	32	25	1,1		100	80	40	172	63	154	7	115	10	8	55	45	55	34	50	40	50	34	40	41	68	127,5	159			
			1,1		125	100	50	215	80	203	9	157	0	12	-	-	-	-	-	-	-	-	-	-	-	137,5	169			
32/125	40	32	1,1	0,75	125	100	50	215	80	203	9	157	0	16	60	50	60	40	55	45	55	34	52	38,5	80	137	169,5			
			2,2		140	125	56	245	90	223	10	172	0	20	-	-	-	-	-	-	-	-	-	-	-	152	184,5			
32/180	40	32	2,2		140	125	56	245	90	223	10	172	25	28	60	50	60	40	55	45	55	34	80	48	115	192	225			
			3		160	140	63	290	100	238	12	196	15	30	-	-	-	-	-	-	-	-	-	-	-	182	215			
			4		190	-	70	-	112	250	-	220	5	37	-	-	-	-	-	-	-	-	-	-	-	-	-			
40/150	50	40	2,2	1,1	140	125	56	245	90	223	10	172	10	19	60	60	100	47	60	50	60	40	60	39	97,5	183	216			
			3		160	140	63	290	100	238	12	196	0	22	-	-	-	-	-	-	-	-	-	-	-	173	206			
			4		190	-	70	-	112	250	-	220	0	29	-	-	-	-	-	-	-	-	-	-	-	-	-			
			5,5		216	-	89	350	132	280	-	250	20	40	-	-	-	-	-	-	-	-	-	-	-	201	234			
40/180	65	40	3	1,1	140	100	56	218	90	223	10	172	0	38	65	-	-	-	60	-	-	-	77	45	135	196,5	196,5			
			4		160	140	63	290	100	238	12	196	35	45	-	-	-	-	-	-	-	-	-	-	-	-	-			
			5,5		190	-	70	-	112	250	-	220	25	56	-	-	-	-	-	-	-	-	-	-	-	224,5	224,5			
			7,5		216	-	89	350	132	280	-	250	20	67	-	-	-	-	-	-	-	-	-	-	-	-	-			
50/150	65	50	3	2,2	160	140	63	290	100	238	12	196	0	37	100	-	-	-	60	-	-	-	55	50	97,5	193	226			
			4		190	-	70	-	112	250	-	220	0	44	-	-	-	-	-	-	-	-	-	-	-	-	-			
			5,5		216	-	89	350	132	280	-	250	20	55	-	-	-	-	-	-	-	-	-	-	-	221	254			
			7,5		-	-	-	-	-	-	-	-	20	66	-	-	-	-	-	-	-	-	-	-	-	-	-			
32/200***	40	32	2,2		140	125	56	245	90	223	10	172	30	36	83	83	93	73	55	45	55	34	88	52	120	146	146			
			3		160	140	63	290	100	238	12	196	20	40	-	-	-	-	-	-	-	-	-	-	-	-	136	136		
			4		190	-	70	-	112	250	-	220	10	42	-	-	-	-	-	-	-	-	-	-	-	-	-			
			5,5		216	-	89	350	132	280	-	250	20	52,5	-	-	-	-	-	-	-	-	-	-	-	164	164			
			7,5		-	-	-	-	-	-	-	-	20	59	-	-	-	-	-	-	-	-	-	-	-	-	-			
32/250***	40	32	3		160	140	63	290	100	238	12	196	50	45	60	50	60	40	55	45	55	34	113	52	150	136	136			
			4		190	-	70	-	112	250	-	220	40	47	-	-	-	-	-	-	-	-	-	-	-	-	-			
			5,5		216	-	89	350	132	280	-	250	20	57,5	-	-	-	-	-	-	-	-	-	-	-	164	164			
			7,5		-	-	-	-	-	-	-	-	20	64	-	-	-	-	-	-	-	-	-	-	-	-	-			

** GM : Garniture mécanique d'étanchéité *** Types HMP-H *ATTENTION: variables suivant le constructeur du moteur. Masse pompe + moteur. Dimensions en millimètres sans engagement

Connections



Pump	Volute casing threaded		Threaded connections	
	Suction	Discharge	Suction	Discharge
20/75	3/4"	3/4"	1"	3/4"
25/100	1"	3/4"	1 1/4"	1"
32/125	1 1/2"	1"	1 1/2"	1 1/4"
32/180	1 1/2"	1"	1 1/2"	1 1/4"
40/150	2"	1 1/2"	2"	1 1/2"
40/180	2 1/2"	1 1/2"	2 1/2"	1 1/2"
50/150	3"	2"	2 1/2"	2"
32/200	1 1/2"	1 1/4"	1 1/2"	1 1/4"
32/250	1 1/2"	1 1/4"	1 1/2"	1 1/4"

Flanges ISO PN16				Connections		
DN	n ØF	ØK	ØY	BSP threaded	Fluted diameter for soft pipes	Hose diameters for PVC pipes
20	40/14	75	105	3/4"	20	25
25	40/14	85	115	1"	25	32
32	40/14	100	140	1 1/4"	30	40
40	40/18	110	150	1 1/2"	-	50
50	40/18	125	165	2"	-	63
65	40/18	145	185	2 1/2"	-	75

FP 13.02 EN