



INSULATION LEVEL
600 V, BIL 10kV full wave

FREQUENCY
50-60 Hz

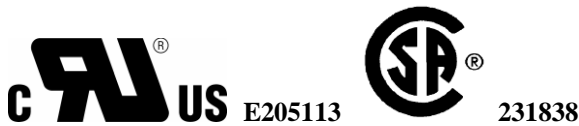
THERMAL RATING
1.33 @ 30 deg. C ambient
1.0 @ 55 deg. C ambient

OUTER ENCAPSULATION
Plastic Cased

SECONDARY TERMINALS
10AWG, UL1015 leads, 108' long

CUSTOM OPTIONS
(CONTACT US)

- Different Ratios
- IEC Ratios/Accuracies
- Non-standard thermal rating
- Different secondary termination
- Special mounting needs

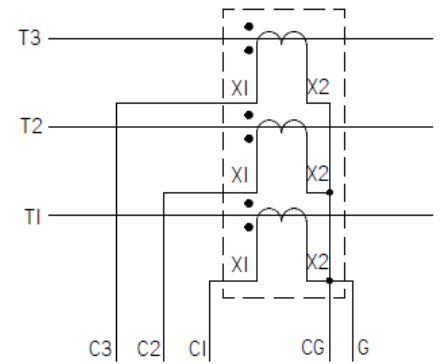
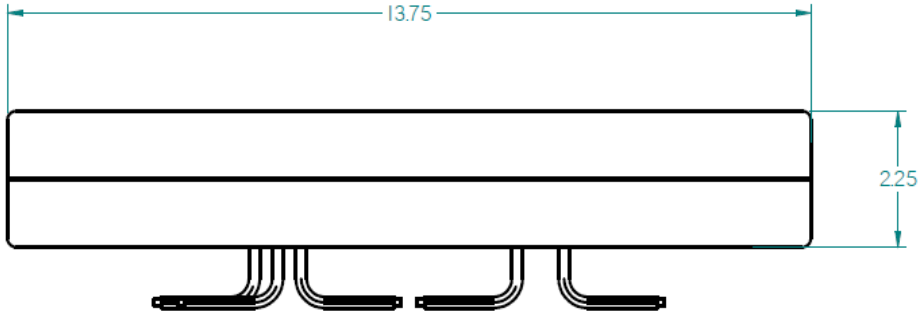


- UL, cUL Recognized and CSA Certified
- As per ANSI/IEEE C57.13, IEC, OR relevant standard

TABLES

| CATALOG NUMBER | CURRENT RATIO | ANSI METERING CLASS @ 60 HZ | | | | | TRF @ 30C |
|----------------|---------------|-----------------------------|------|------|------|------|-----------|
| | | B0.1 | B0.2 | B0.5 | B0.9 | B1.8 | |
| CT460-500 | 50:5 | 1.2 | 2.4 | - | - | - | 1.0 |
| CT460-101 | 100:5 | 0.6 | 1.2 | 2.4 | - | - | 1.33 |

DIMENSIONS (ALL DIMENSIONS ARE IN MILLIMETERS):



SCHEMATIC DIAGRAM

