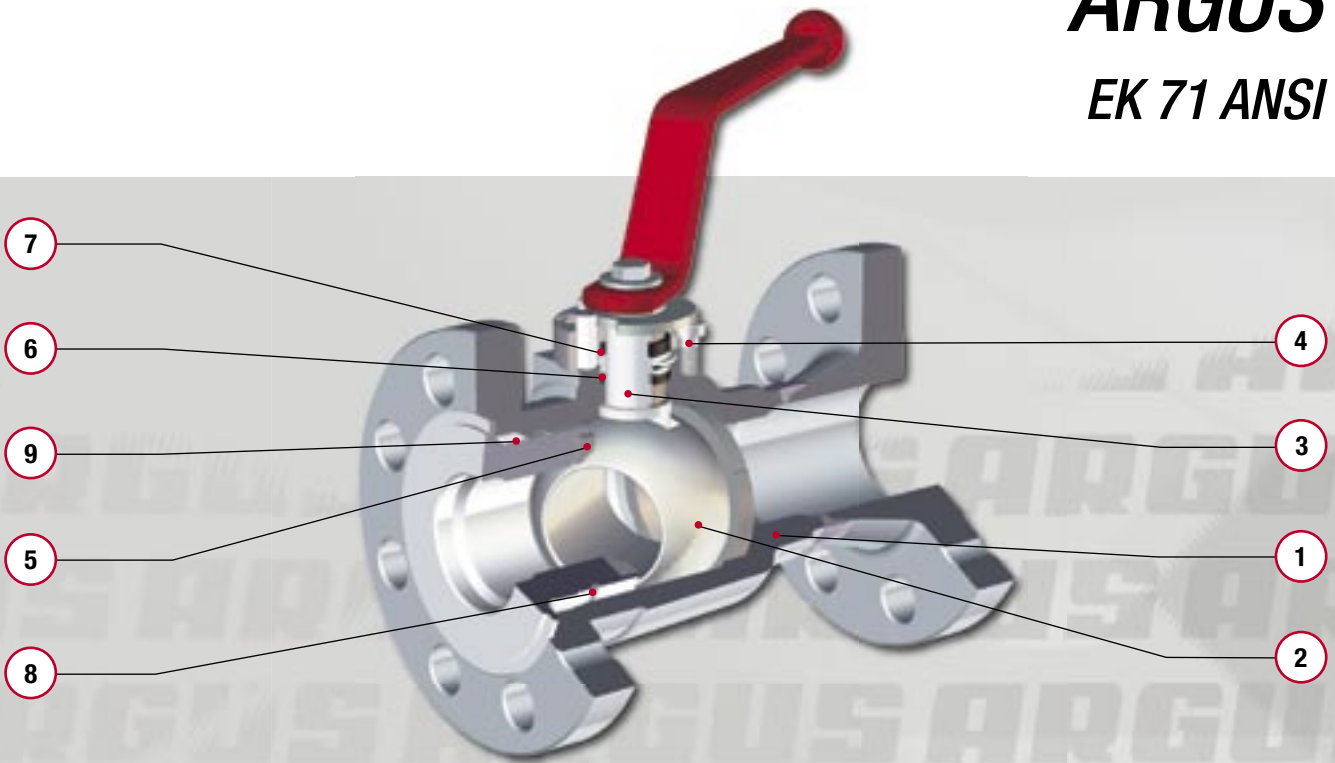


ARGUS

EK 71 ANSI



Material List of Main Parts

| Item | Description | Material Specification* | Nearest Typical ASTM-Equivalent |
|------|-----------------------|-------------------------------------|---------------------------------|
| 1 | Body / Flange | CS Low Temp. 1.0566 CS Low Temp. | A350 LF2 A105 |
| 2 | Ball | CR13 1.4006 Duplex SS | Type 410 A182 F51 |
| 3 | Stem | CR13 1.4104 SS 1.4571 | Type 430 A182 F316Ti |
| 4 | Gland Bolts | 8.8 A4-70 | |
| 5 | Ball Seats | PTFE; POM | |
| 6 | Primary Stem Seal | PTFE; FPM | |
| 7 | Secondary Stem Seal | Celastic | |
| 8 | Primary Insert Seal | PTFE; FPM | |
| 9 | Secondary Insert Seal | Celastic | |

*For detailed information see our ANSI catalogue



ARGUS EK 71

DN 15 ANSI Cl. 150 Full Bore
DN 20-50 ANSI Cl. 150 Reduced Bore
DN 15-50 ANSI Cl. 300-600 Full Bore
DN 15-40 ANSI Cl. 900-1500 Full Bore

Description:

The EK 71 ball valve with its many innovative design features represents the highest standards in valve technology and is designed to meet the API-6D, ANSI 16.34 and BS 5351 requirements.

Design:

One piece low temperature forged Carbon Steel body design (end entry) with superfine finished seat supported ball, anti-blowout stem, compact ball seats and anti-static device. Long life double stem seal system and stem supported in bearings to ensure seals are free from operating loads. Stem sealing construction complies with the latest TA-Luft and EPA (method 21) fugitive emissions requirements.

Accessories and Options:

- Limit switches
- Locking devices
- Extended wrenches
- Stem extensions
- Round, gull wing and spring return "deadman" handles

Standard Material Combinations (preferably to order – short delivery time):

| | | | |
|-------------------|--|--|------------------------------------|
| ANSI | Cl. 150-600 Mat.-Code 1805008552 | Cl. 150-600 Mat.-Code 1D05004552 | Cl. 600 Mat.-Code 1807008442 |
| Body | CS-Low Temp. | CS-Low Temp. | CS-Low Temp. |
| Ball/Stem | CR13 | Duplex SS / SS | CR13 |
| Seats | PTFE | PTFE | POM |
| Stem Seals | PTFE/Celastic | PTFE/Celastic | FPM/Celastic |
| Body Seals | PTFE/Celastic | PTFE/Celastic | FPM/Celastic |

Flowserve Flow Control

Rudolf-Plank-Str.2, D-76275 Ettlingen
T: +49 (0)72 43/103-0 F: +49 (0)72 43/103-222
E-mail: argus@flowserve.com
www.flowserve.com

FCDARGBR 1111-02
Printed in Germany