



19-inch / 483mm LED Searchlight

Eco-Friendly Product



Joystick Electric Control

Beam Intensity

3.5° Beam Option 12 Million Candela
1 Lux at 3464 Meters (approx.)

8.5° Beam Option 3,150,000 Candela
1 Lux at 1774 Meters (approx.)

Color Temperature 6200 Kelvin

Controls Joystick Electric Control, Remote Lever-Gear, or Local Handle

Environmental IP56

LED Emitter Life 20,000+ Hours

Light Energy 21,000 Lumens

Materials/Finish Marine Grade Aluminum and Stainless Steel with Salt-Resistant, Scratch-Resistant Powder Coat (White, Black, Grey, and Custom)

Modular Redundancy Each pod has its own electronics, so if one fails, a bright beam still is projected (Pg.2)

Power Consumption 400 Watts

Voltages 110VAC – 277VAC



Remote Lever-Gear Control

OPTIONS

Anti-icing Heater Thermostatically-controlled heaters prevent ice build-up in cold climates

Azimuth Indicator LCD panel displays horizontal beam aiming position in degrees

High Powered Strobe Disorients and denies night vision of intruder and transforms searchlight into a Nonlethal Weapon

Infrared Night Vision Integral Infrared (IR) LEDs covertly light up objects, which appear like daylight on camera monitor at night. Covert IR energy is 850NM. (Pg.4)

SmartVIEW™ Control System provides Digital BUS Network, and TCP/IP Interface allows Remote Computer Control. Protocols supported: ONVIF, Pelco-D, NMEA 0183 and Carlisle & Finch's own Protocol

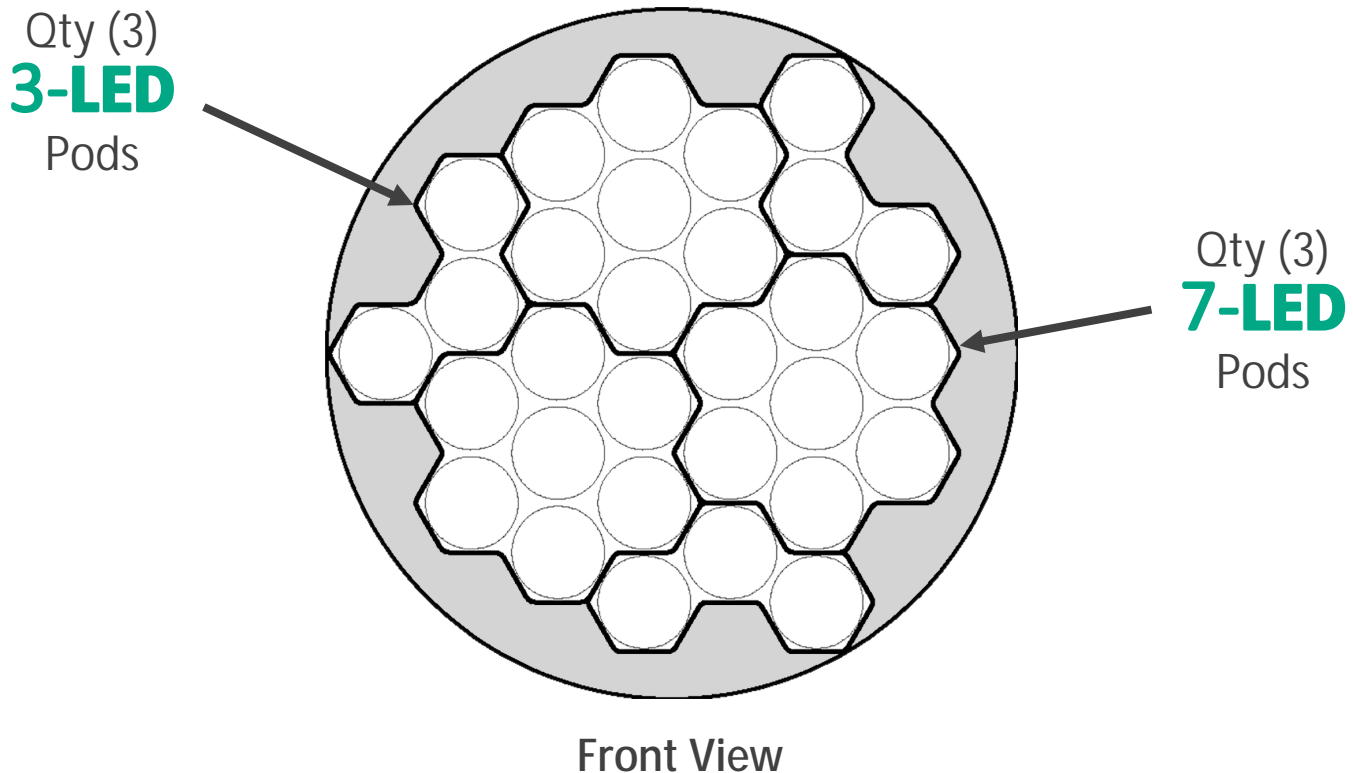
Wall of Light LEDs Wide beam at short range, illuminates areas where the narrower long-distance beam cannot service (Pg.3)



Local Handle Control

Lighting the way forward since 1894

Redundancy and Extreme Long-life provides much higher reliability than Halogen!



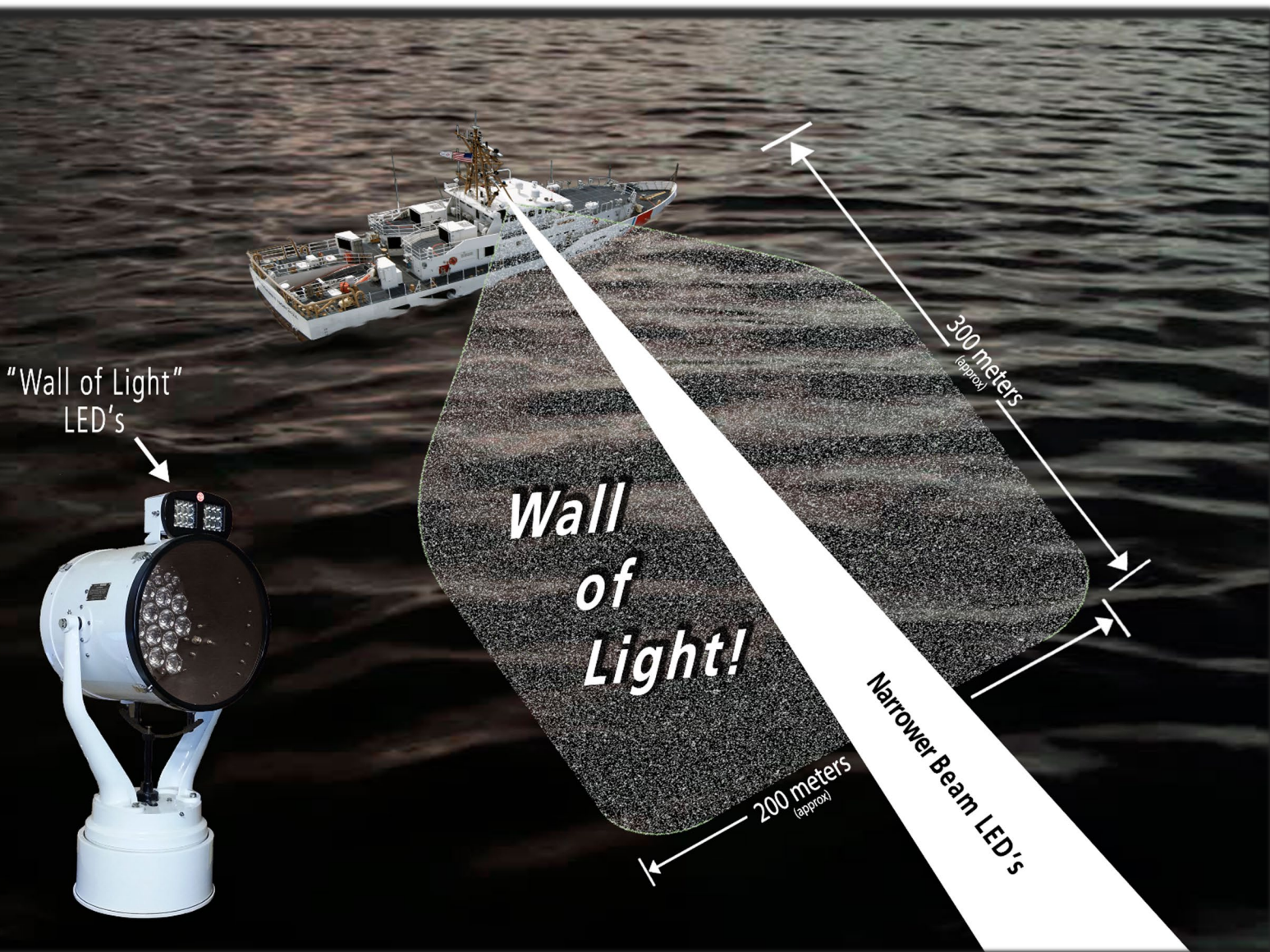
Front View

- § **Multiple LED Redundancy** There are 30 Individual LEDs (i.e., light sources.) If one fails, there are 29 more producing a bright beam.
- § **Multiple Pod Redundancy** Unique to C&F, each pod has its own separate electronics. If an electronic board happens to fail, there are five (5) additional pods producing a bright beam in back-up mode.
- § **Long Emitter-Life** When the lamp fails on traditional Halogen searchlights, the entire searchlight fails. Lamp-life is approx. 250 hours for the most popular industry standard lamps. Since the LEDs will last 20,000+ hours, there are approximately 80 Halogen searchlight failures for every LED searchlight due to lamp-life failure alone (i.e., $20,000 \div 250 = 80$ failures.)

The Wall of Light!

“Auxiliary LEDs illuminate wide areas at close range where the narrower beam cannot service”

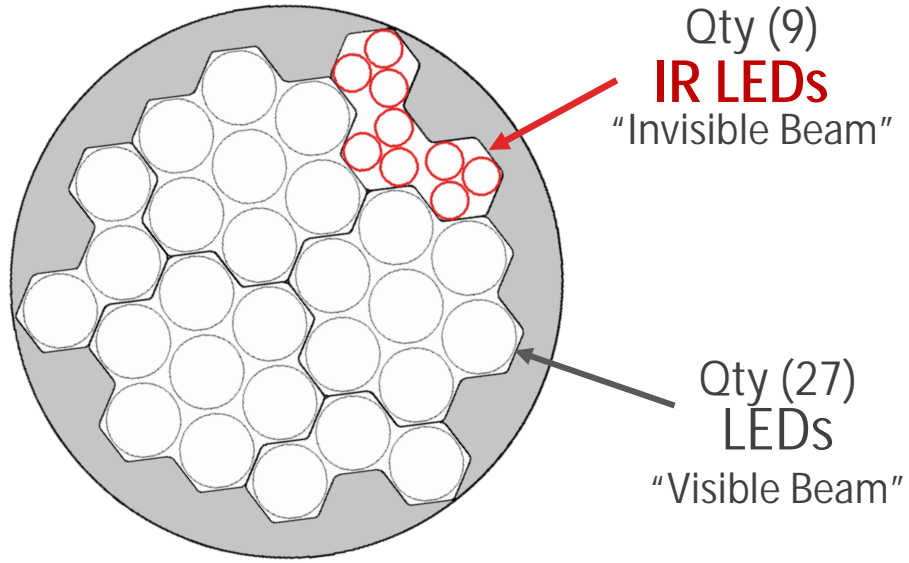
Imagine a passenger suddenly falls overboard on a marine vessel. Using the auxiliary LEDs for **“Search and Rescue”**, an operator can instantly direct a powerful “Wall of Light”, wider than a football field, anywhere around the vessel to save the person! This wide beam is also extremely effective for **“Vessel Interdiction”**, **“Docking”**, **“Seeing Workers at Night”**, **“Seeing near the base of a Guard Tower”**, etc. This option provides short range wide beam illumination and long-range search capabilities, combined within one versatile product.



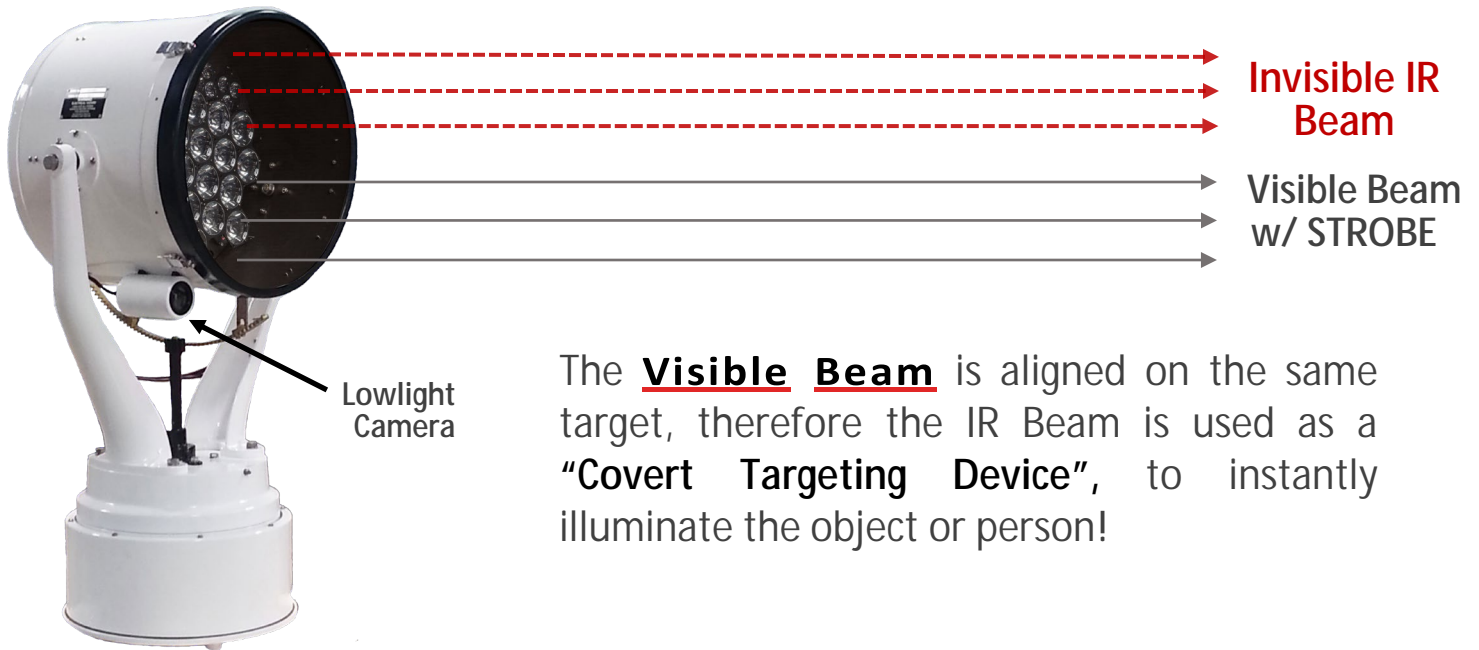
Infrared (IR) LEDs provide built-in Night Vision

NIGHT VISION CAPABILITY

An invisible beam, undetectable to the human eye, covertly lights up objects in total darkness, and they appear like daylight on a camera monitor. Also greatly enhances Night Vision Goggles!

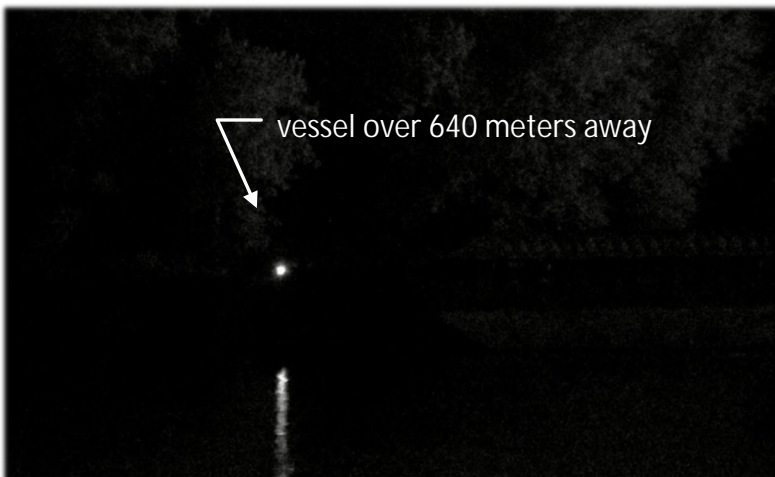


FRONT VIEW



The **Visible Beam** is aligned on the same target, therefore the IR Beam is used as a "Covert Targeting Device", to instantly illuminate the object or person!

Night Scenes of Riverbank

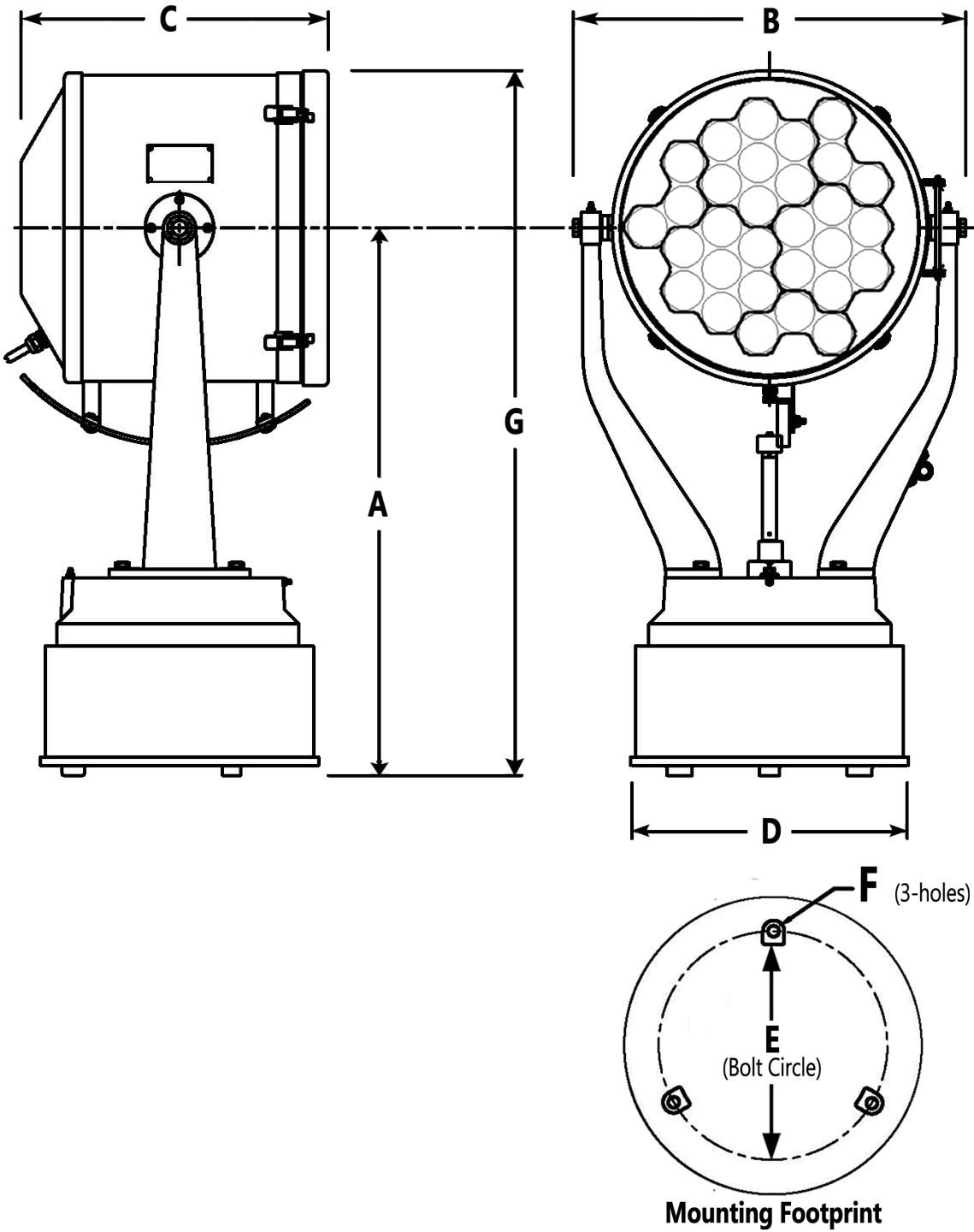


in Total Darkness



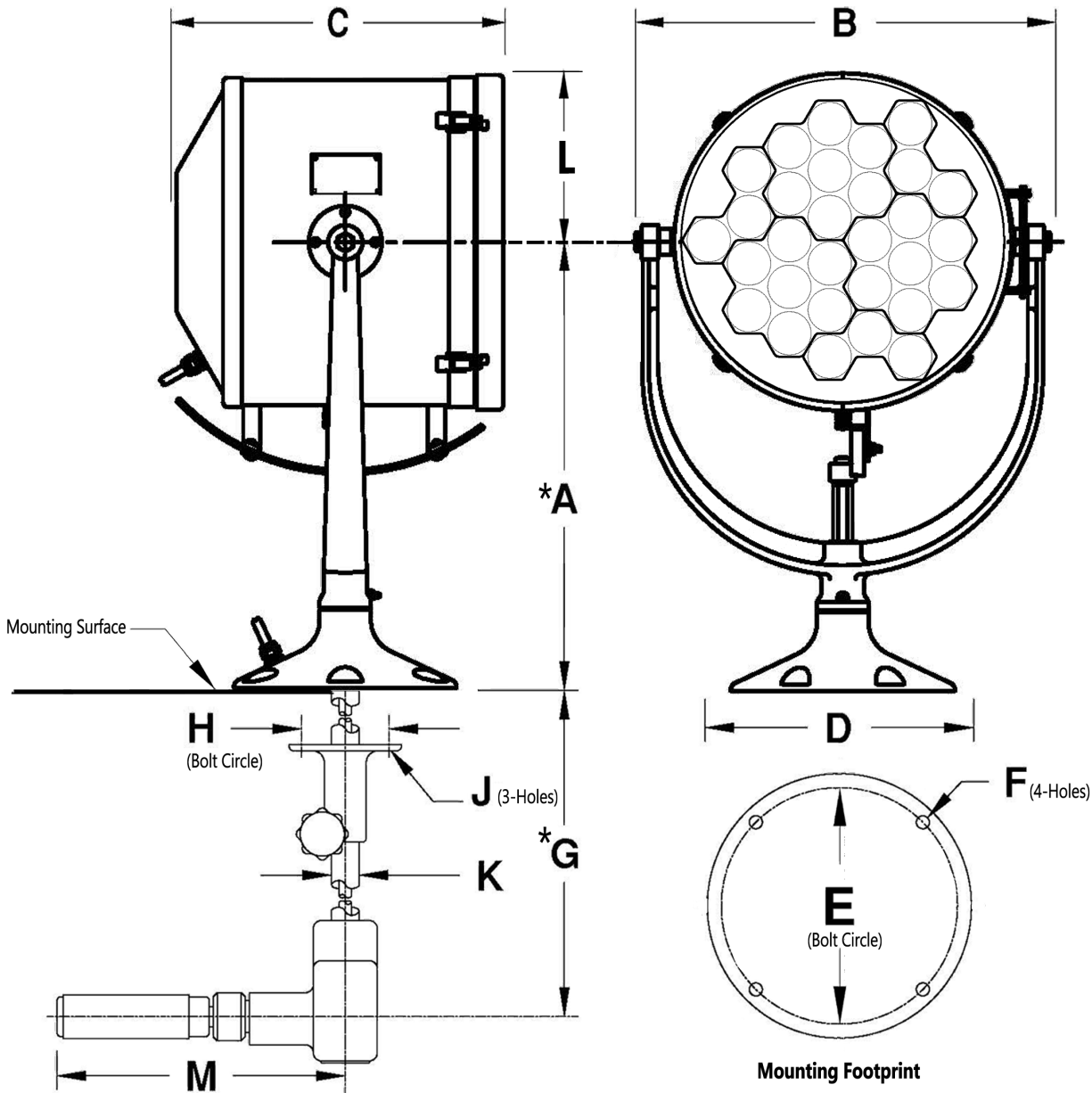
with (IR) Beam **ON!**

Electric Joystick Control Dimensions



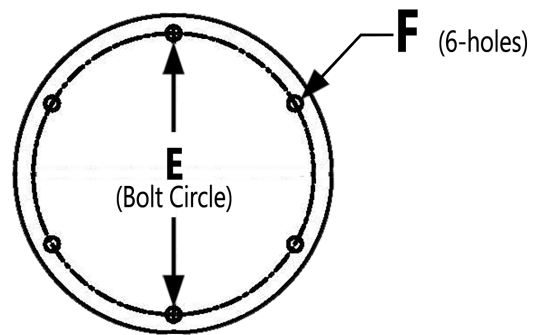
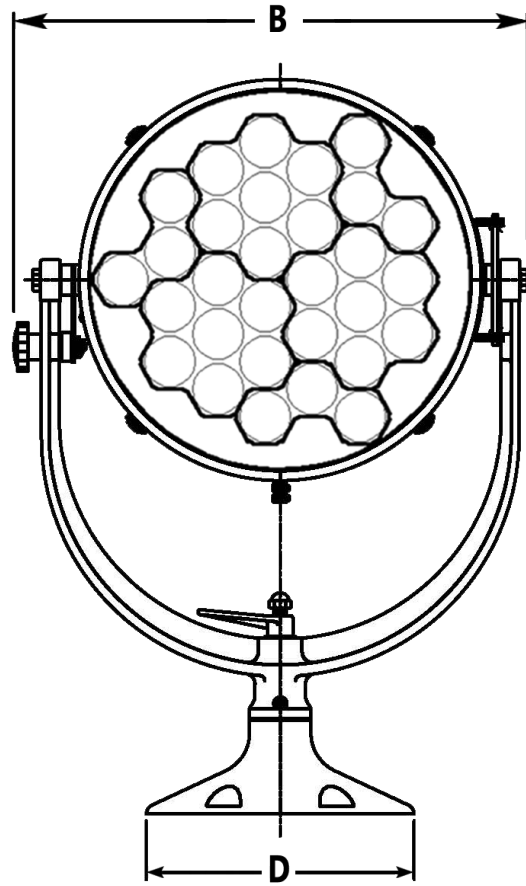
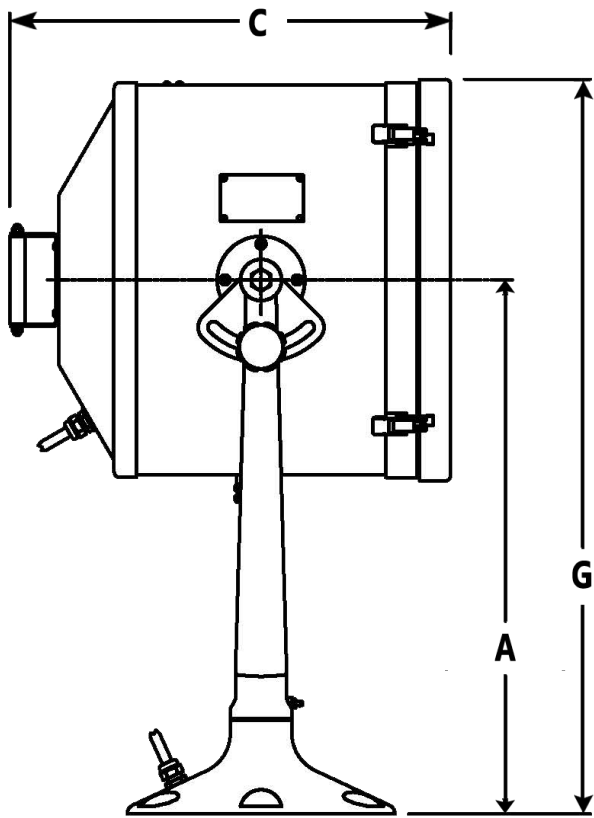
DIM	A	B	C	D	E	F	G
inches	33.88	25	19	Ø17.25	Ø13.25	Ø.562	43.62
mm	860	635	482	Ø438	Ø336	Ø14.275	1107

Remote Lever-Gear Control Dimensions



DIM	*A	B	C	D	E	F	*G	H	J	K	L	M
inches	25.94	25	21.41	Ø13	Ø11.5	Ø.562	21.88	Ø3.38	.344	1.00	9.75	9.00
mm	658	635	54	Ø330	Ø292	Ø14	555	Ø85.85	8.74	25.40	247	229
Note:	Dimension "A" is the standard Searchlight Height, and Dimension "G" is the standard Control Length. These two dimensions can be custom. Consult Factory for exact customer requirements.											

Local Handle Control Dimensions



Mounting Footprint

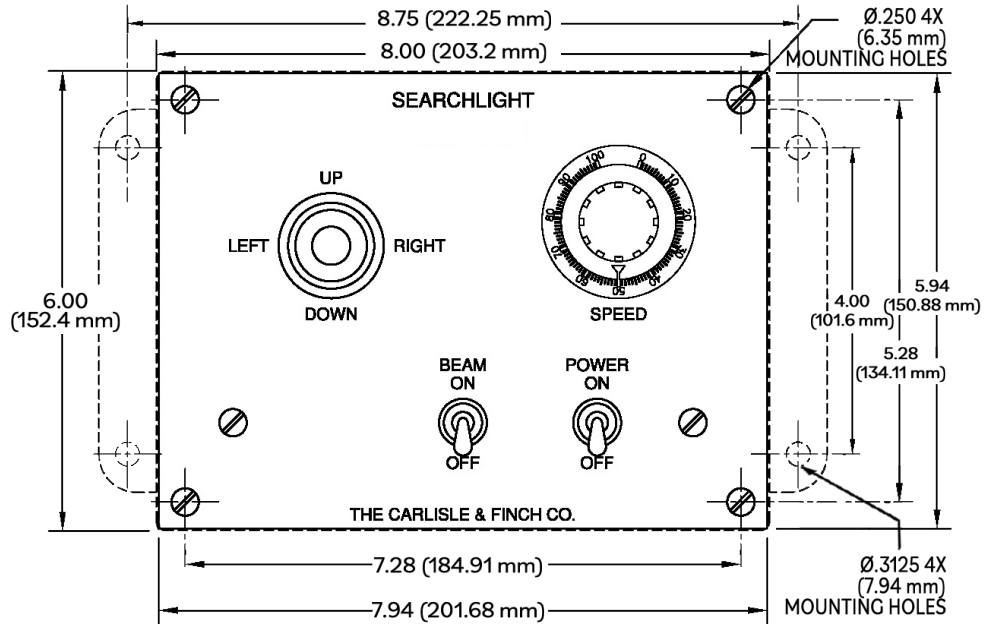
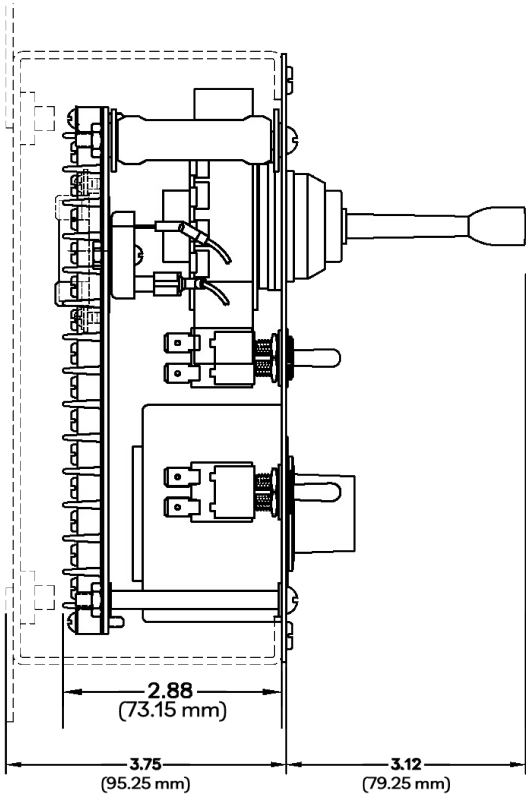
DIM	A	B	C	D	E	F	G
inches	25.94	25	21.41	Ø13	Ø11.5	Ø.562	35.69
mm	658	635	543	Ø330	Ø292	Ø14	906



Controller Dimensions

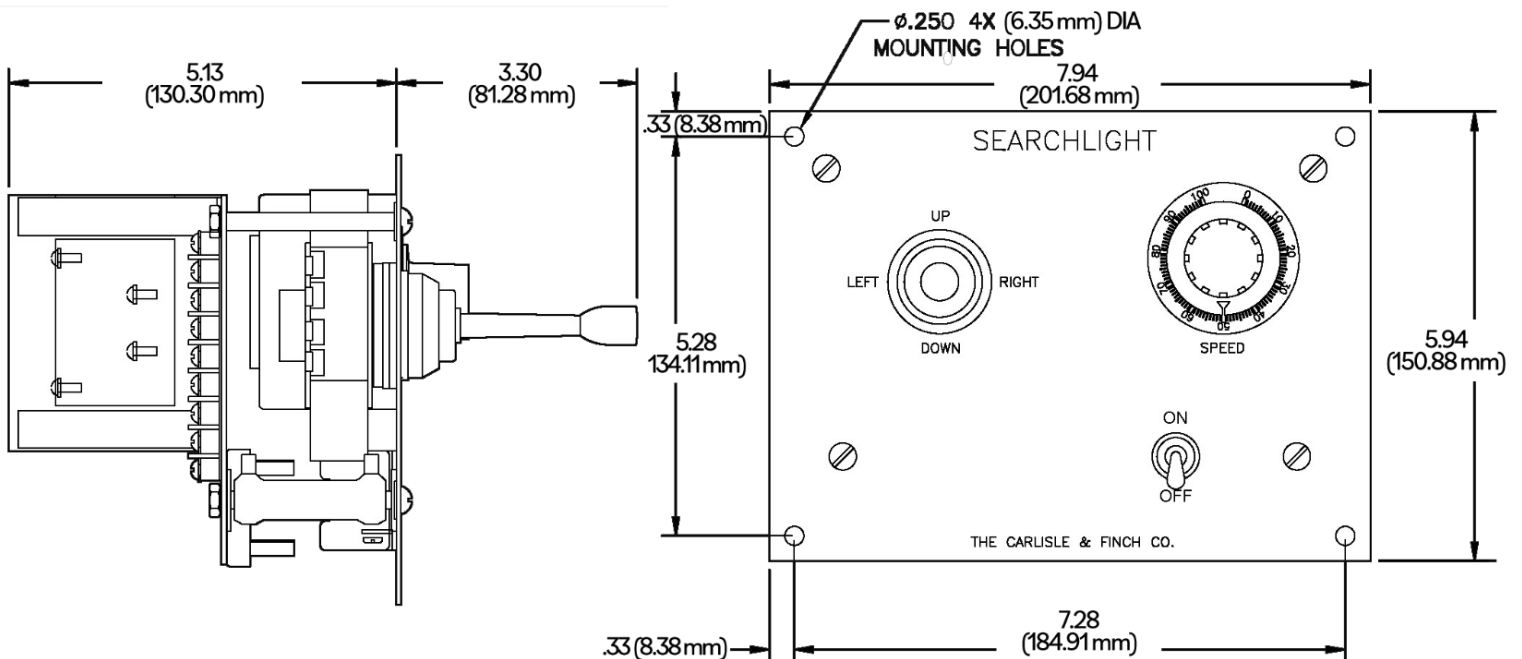
Model C5777-S-2 Joystick Controller (115 VAC-only)

Includes 8-Way Switch (UP, DOWN, RIGHT, LEFT, and FOUR DIAGONAL POSITIONS), Beam-Speed Dial (Changes Speed throughout a continuous spectrum) and Visible Beam ON/OFF Switch.

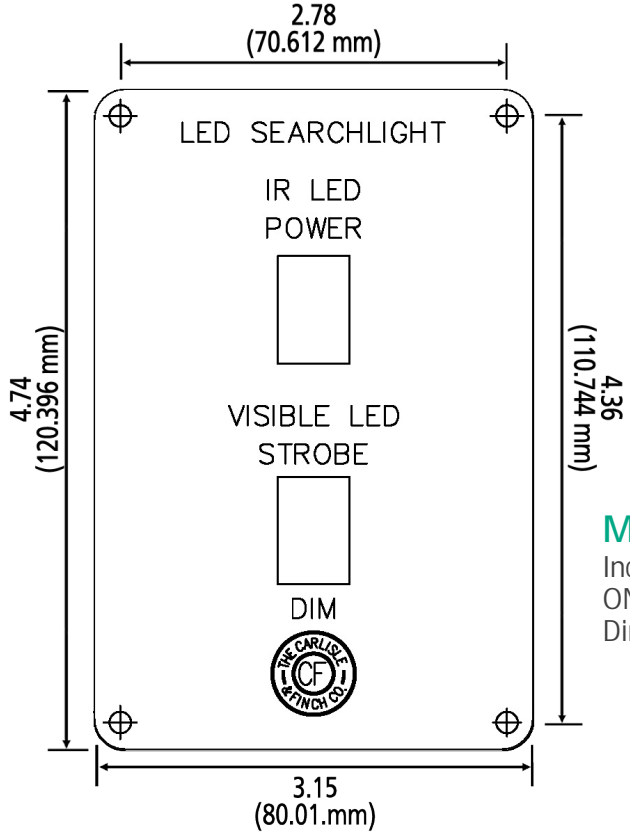
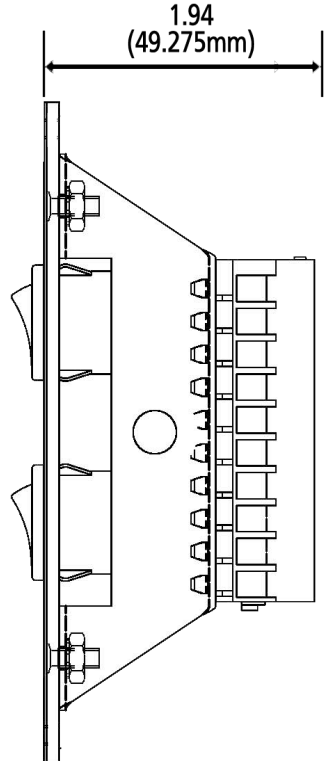


Model C5777-S-230 Joystick Controller (230 VAC-only)

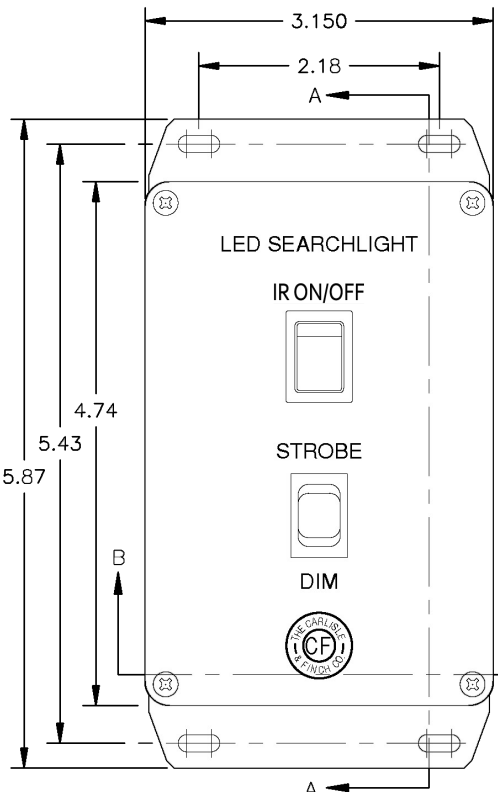
Includes 8-Way Switch (UP, DOWN, RIGHT, LEFT, and FOUR DIAGONAL POSITIONS), Beam-Speed Dial (Changes Speed throughout a continuous spectrum) and Visible Beam ON/OFF Switch.



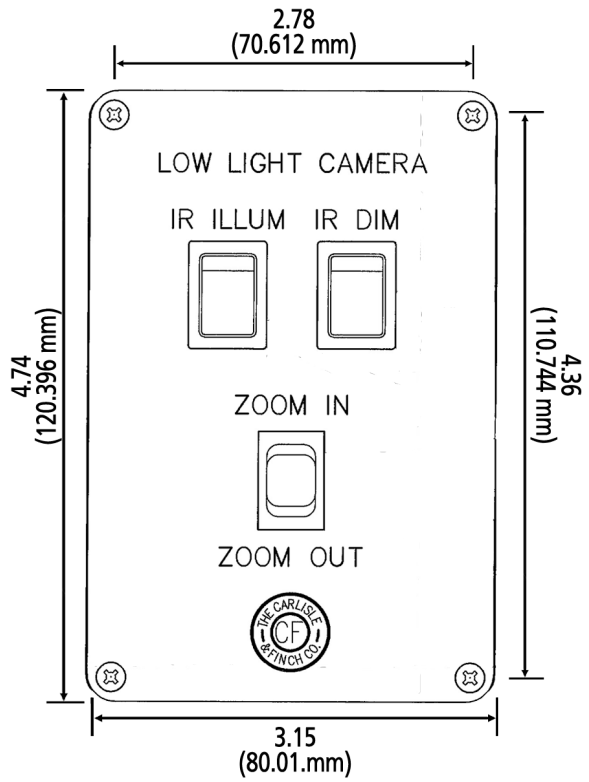
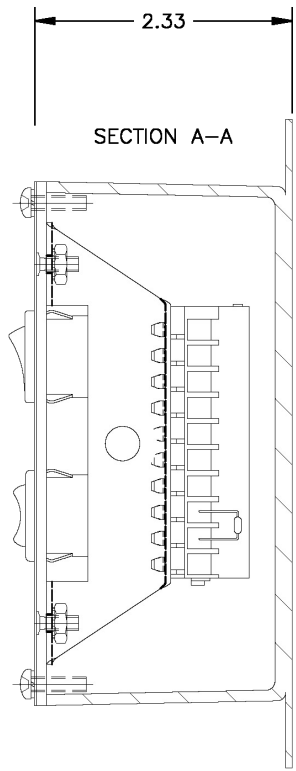
Controller Dimensions



Model C2-12IR Controller
Includes Infrared (IR) Beam ON/OFF Switch, Strobe Switch and Dimming Switch.

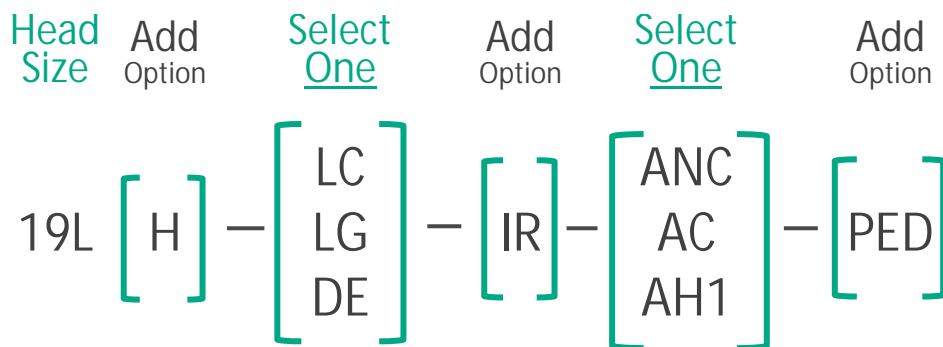


C2-12 Controller
includes Beam ON/OFF, Strobe, and DIM switches



C3-10 Controller
includes IR Beam ON/OFF/DIM and Zoom IN/OUT switches

How to specify Searchlight Model Number



H	"Wall of Light" LEDs <i>Option</i>	IR	Night Vision Infrared LEDs <i>Option</i>	PED	Tall Pedestal Base <i>Option (Manual-Control Only)</i> Consult Factory
LC	Local Handle Control	ANC	115/230 VAC (no Strobe/DIM)	AC	115/230 VAC (with Strobe/DIM)
LG	Remote Lever Gear	AH1	115 VAC (with Anti-Icing Heaters)		
DE	Joystick Electric Control				

Note: To specify Searchlight Model Number, go to top of page and insert letters from left to right as applicable.

Example #1	Model Number: 19L-LG-ANC-PED
19-inch (483mm) diameter, Remote Lever-Gear Control, 115 VAC and Tall Pedestal option	

Example #2	Model Number: 19LH-DE-IR-AH1
19-inch (483mm) diameter, Wall of Light LEDs option, Joystick Electric Control, Infrared LEDs option, 115 VAC and Anti-Icing Heaters	