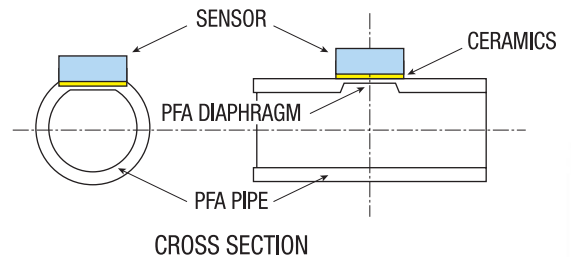


One & only (PFA) Pressure Sensor In the world
featuring one pipe-flow-through technology

SE4000/6200 series



This NEW design
(No dead volume
Diaphragm) reduce the
problems of CMP slurry and
other contamination.

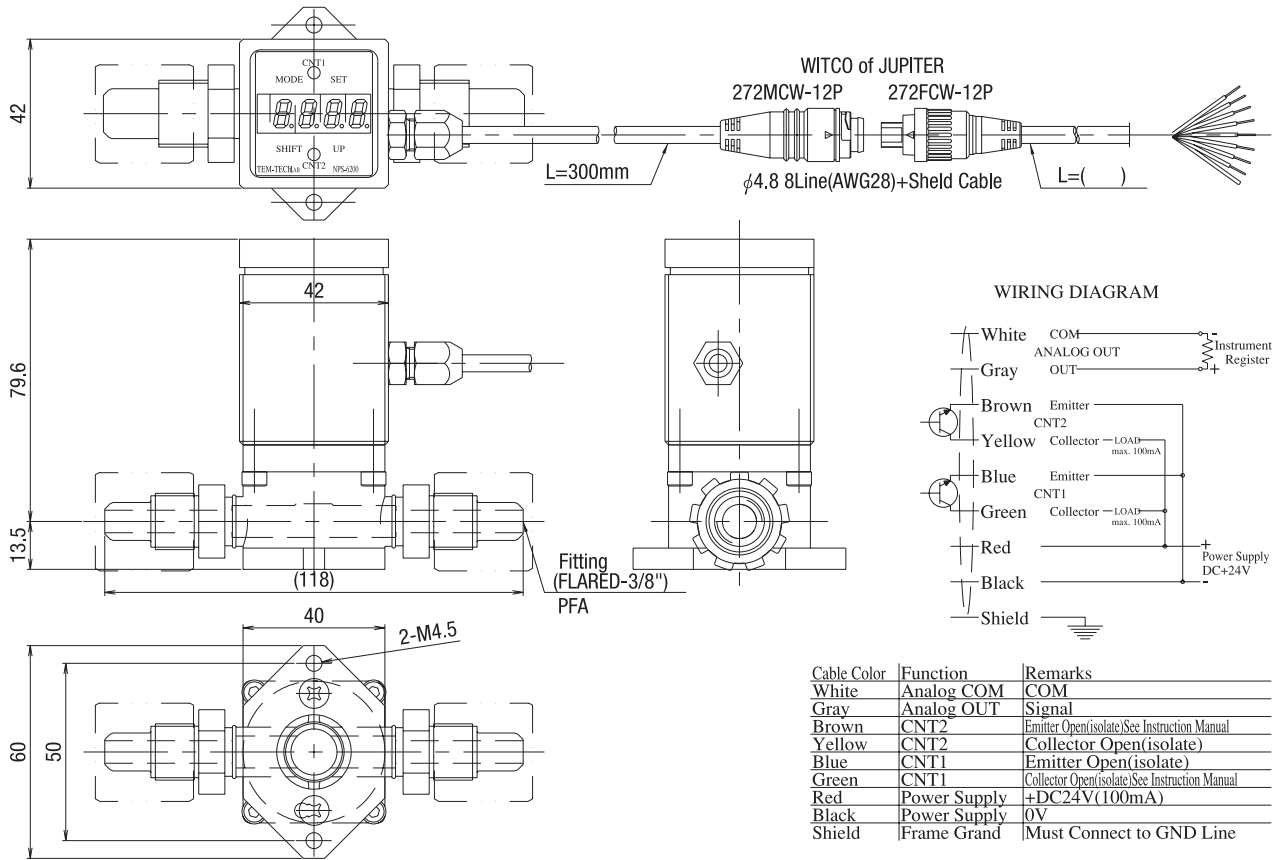
Special design for pressure measurement of CMP Slurry .

- 1 A new NANO-composite ceramic sensor with unique adhesion to PFA diaphragm
- 2 No dead volume Diaphragm avoids pressure losses
- 3 Wide pressure range available, from vacuum measurements to a maximum of 150PSI
- 4 Wetted parts with high purity PFA
- 5 Diaphragm out of PFA enables this pressure transmitter to be compatible with aggressive chemicals

TEM-TECH LAB. Co.,Ltd

Contact to: hello@tem-tech.co.jp

One Piece PFA Pressure Sensor



Application	Any Fluids compatible with PFA
Measurement Range	50 psi / 75 psi / 150 psi
Proof Pressure	FS × 1.5
Accuracy	+/- 1%FS (Includes Linearity, Hysteresis, Repeatability)
Operating Temperature	0 to 80C degree
Analog Output	4-20mA, 0 – 5V, 0 – 10V
Alarm output	Open collector 2 Alarm actuating contacts
Load Resistance	Less than 400 ohm – 4-20mA; less than 10 ohm – 0-5V, 0-10V
Material	Wetted part : PFA
Leak Integrity	3 × 10 ⁻⁸ Pam ³ /sec
Enclosure Protection	IP 55 Compatible
Process Connection	3/8", 1/2" Tube, Flared, other(ask)
Signal Cable	φ≥5.3 2, or 3 Wires shield cable. 3m.
Dimensions options #	Tube and Connection length (shown as #) can be customized.

note: Specifications are subject to change without notice

ORDERING INFORMATION (Example: SE4000-420-F2/6200T-050PG)

SE	Type	Output	Fitting	Fitting	6200T	Range	Measure	Pressure
4000	Flow Through	420 4-20mA	P Tube	2 3/8"		050 50	P PSI	G Gage Pressure
		005 0-5V	F Flared	3 1/2"		075 75		
		010 0-10V	S Super Pillar			150 150		