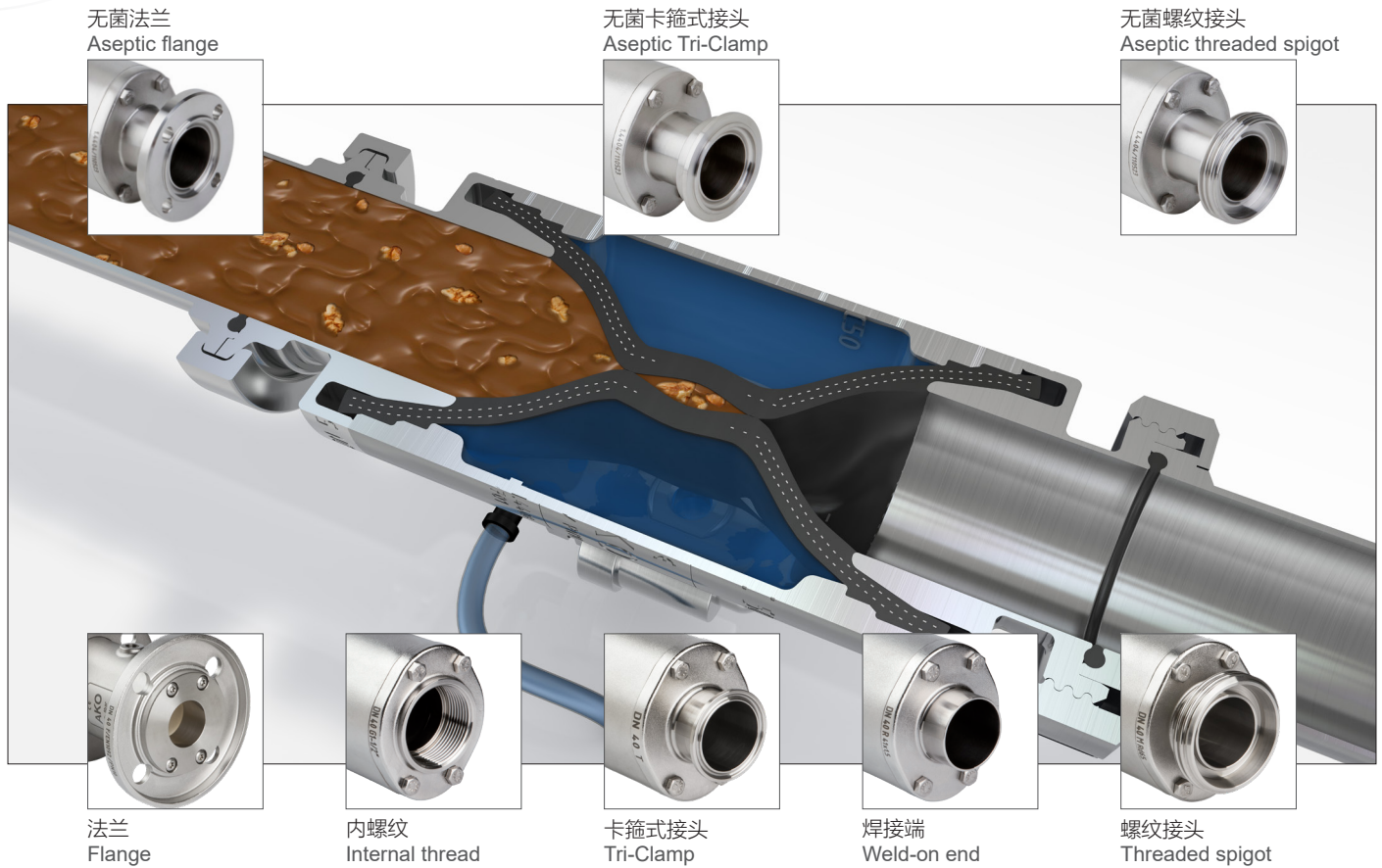


气动夹管阀 型号 VMC

Air operated Pinch Valve of VMC Series



VMCE 系列 | VMC series

可灵活运用于防腐管道的,可拆卸的模块化系统!

用于控制和截止固体, 悬浮液, 糊状物, 气体, 纤维和粘性物质等几乎所有介质的理想解决方案。

► 优点:

- 灵活的模块化系统
- 多种连接可能性
- 结构紧凑
- 重量轻
- 通道流畅
- 无死角
- 易于维护和保养
- 零泄漏100%密封
- 成本低



The flexible modular system for detachable and aseptic piping connections!

The ideal solution for isolation and regulation of solids of all kinds, suspensions, pastes, gaseous, fibrous and viscous media.

► Advantages:

- Flexible modular system
- Various connection options
- Extremely compact
- Light weight
- Complete free passage
- No dead spots
- Easy maintenance and re-sleeving
- 100% tight shut off
- Competitive



气动夹管阀 型号 VMC

Air operated Pinch Valve of VMC Series



工业范围:

- 制药和食品工业
- 化工行业
- 气动输送系统
- 色素和颗粒物处理
- 陶瓷、玻璃和塑料工业
- 抽吸装置
- 配料系统
- 灌装和称重装置
- 排气和通风系统
- 等等。

连接的可能性:

- 法兰
 - 无菌法兰
 - 内螺纹
 - 卡箍式接头
 - 无菌卡箍式接头
 - 焊接端
 - 螺纹接头 (乳管螺纹)
 - 无菌螺纹接头
 - 软管接头
- (请参见单独的数据表)



还提供:
适用于0、1、2、20、21和22防爆区域的特殊导电设计。



VMC系列气动夹管阀,符合压力装置 PED 2014/68/EU 标准的所有指标。

原料 / 材料:

壳体: 不锈钢 (1.4408)
铝
塑料 (POM) (→ VMP系列)

连接端盖: 不锈钢 (1.4404)
塑料 (POM)
铝

衬套:

耐磨天然橡胶, 食品安全天然橡胶, 三元乙丙
食品级三元乙丙, NBR, 食品级NBR, CSM, IIR, CR, 硅橡胶Silikon,
FPM, 等等。 其他材料请和我们洽询。

压力:

最大运行压力 (介质压力): ~ 6 bar
阀门控制压力 (闭合压力): 8 bar
压差: 2 - 3,5 bar
取决于公称通径和弹性体

保留技术更改的权利



Industrial areas:

- Food/ pharmaceutical / beverage industry
- Chemical industry
- pneumatic conveying systems
- pigments and granules
- ceramics / glass / plastic industry
- extraction systems
- dosing systems
- filling and weighing systems
- air venting systems
- and more...

Connection options:

- Flange
 - Aseptic flange
 - Internal thread
 - Tri-Clamp
 - Aseptic Tri-Clamp
 - Weld-on ends
 - Threaded spigot (RJT connection)
 - Aseptic threaded spigot
 - Threaded hose nozzle connection
- (see separate data sheet)



Also available:
Special, conductive models suitable for use in areas at risk of explosions (Ex) in zones 0, 1, 2, 20, 21 and 22.



The air operated Pinch Valves of VMC series fulfill all requirements of the Pressure Equipment Directive 2014/68/EU.

Materials:

Body: Stainless steel (1.4408)
Aluminum
Plastic (POM) (→ VMP series)

Socket Connection: Stainless steel (1.4404)
Plastic (POM)
Aluminum

Sleeves:

NR abrasion resistant, NR food quality, EPDM, EPDM food quality, NBR, NBR food quality, CSM, IIR, CR, Silicone, FPM / FKM, etc. ...others on request.

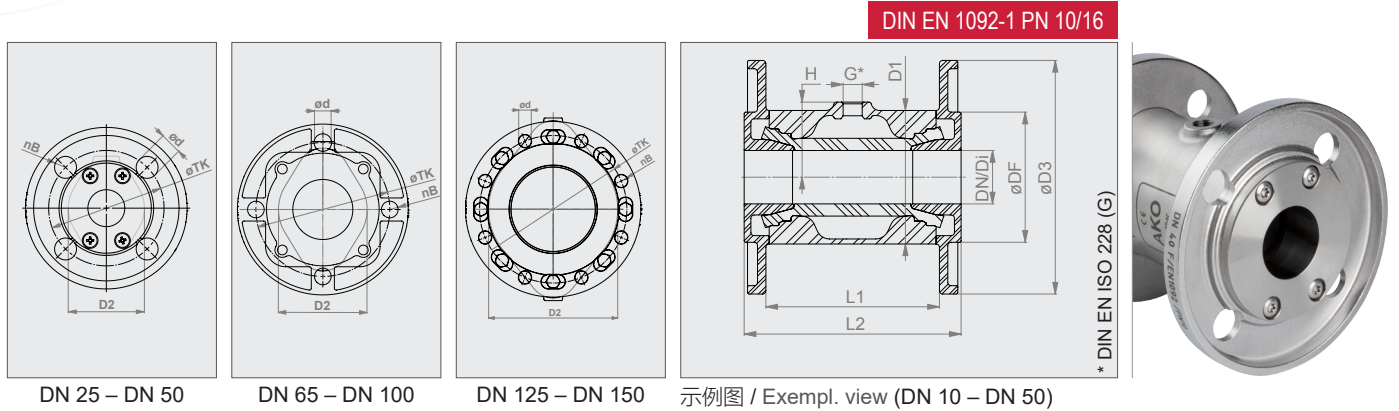
Pressures:

Operating / medium pressure max.: ~ 6 bar
Control / closing pressure max.: 8 bar
Differential pressure: 2 - 3,5 bar
varies depending on diameter & sleeve

Technical details subject to change without notice.

气动夹管阀 – 法兰 (F)

Air operated Pinch Valve – Flange (F)



连接方式
法兰 根据 DIN EN 1092-1 PN 10/16

壳体
DN 25 – 150: 不锈钢 (1.4408) (E)
DN 25 – 100: 铝 (A)

法兰
DN 25 – 150: 不锈钢 (1.4404) (E)

阀长度
DN 25 / 32 / 65 根据 DIN EN 558, 27 系列

阀门表面:
不锈钢: 电抛光 亚光
产品附加性:
DN 25 – 50 Ra 0,5
DN 65 – 150 Ra 0,8 其他材料请和我们洽询
铝: 粉末涂层, RAL9006

Connection type
Flange according to DIN EN 1092-1 PN 10/16

Body
DN 25 – 150: Stainless steel (1.4408) (E)
DN 25 – 100: Aluminum (A)

Flange
DN 25 – 150: Stainless steel (1.4404) (E)

Valve face to face length
DN 25 / 32 / 65: Acc. to DIN EN 558 row 27

Valve finish
Stainless steel: Electropolished, matt
Wetted parts:
DN 25 – 50 Ra 0,5
DN 65 – 150 Ra 0,8 *Others on request*
Aluminum: Powder-coated, RAL9006

DN / Di (mm)	D1 (mm)	D2 (mm)	ø D3 (mm)	ø DF (mm)	* nB	ø d (mm)	ø TK (mm)	L1 (mm)	L2 (mm)	G (inch)	H (mm)	¹容积 (l) / ¹ vol. (l) (约 / approx.)	(E) + (E)	(A) + (E)
													重量 / Weight (kg)	重量 / Weight (kg)
25	72	57	115	68	4	14	85	96	125	G 1/8"	37	0,09	2,4	1,7
32	80	66	140	78	4	18	100	104	130	G 1/4"	45	0,13	2,9	2,2
40	90	77	150	88	4	18	110	119	155	G 1/4"	50	0,22	4,0	2,8
50	110	88	165	106	4	18	125	149	185	G 1/4"	60	0,36	5,8	4,4
65	139	102	185	122	4	18	145	133	170	G 1/4"	74	0,44	5,5	4,9
80	173	126	200	138	4	18	160	173	213	G 1/4"	90	0,88	7,5	6,2
100	203	146	220	158	8	18	180	224	264	G 1/4"	107	1,80	12,2	-
125	252	184	250	187	8	18	210	286	336	G 1/4"	130	2,70	26,2	-
150	301	257	285	212	8	22	240	356	406	G 1/4"	155	6,95	37,1	-

* 孔数
¹ 容积 = 衬套关闭时控制介质容积

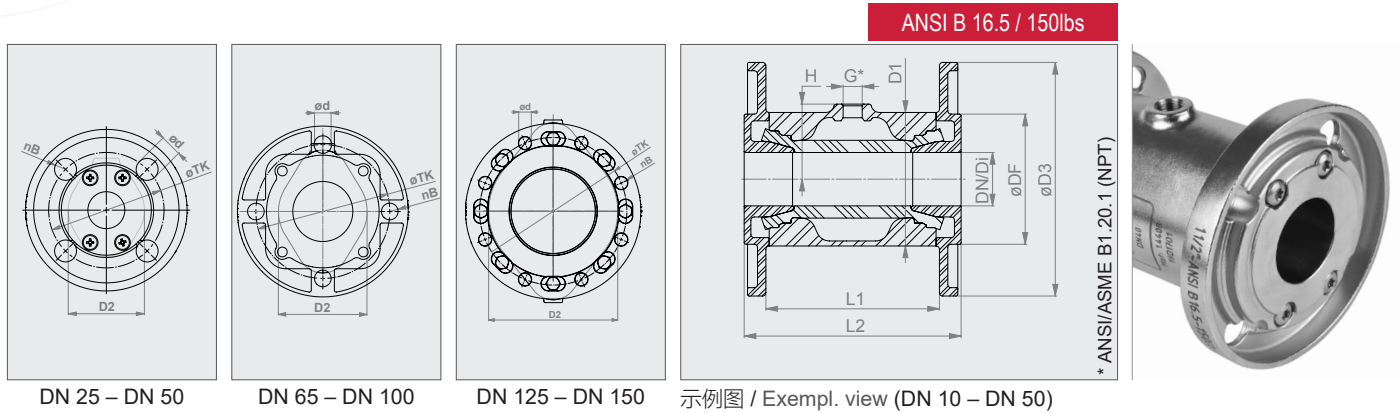
* Number of holes
¹ Volume = Control volume with closed sleeve

保留技术更改的权利

Technical details subject to change without notice.

气动夹管阀 – 法兰 (FA)

Air operated Pinch Valve – Flange (FA)



► 连接方式

法兰 根据 ANSI B 16.5 / 150lbs

► 壳体

DN 40 – 150: 不锈钢 (1.4408) (E)
DN 40 – 100: 铝 (A)

► 法兰

DN 40 – 150: 不锈钢 (1.4404) (E)
DN 40 – 100: 铝, 钢材衬套 (A)

► 阀门表面

不锈钢: 电抛光 亚光
产品附加件:
DN 40 – 50 Ra 0,5
DN 65 – 150 Ra 0,8 其他材料请和我们洽询
铝: 粉末涂层, RAL9006, RAL9006



► Connection type

Flange according to ANSI B 16.5 / 150lbs

► Body

DN 40 – 150: Stainless steel (1.4408) (E)
DN 40 – 100: Aluminum (A)

► Flange

DN 40 – 150: Stainless steel (1.4404) (E)
DN 40 – 100: Aluminum with steel bushing (A)

► Valve finish

Stainless steel: Electropolished, matt
Wetted parts:
DN 40 – 50 Ra 0,5
DN 65 – 150 Ra 0,8 *Others on request*
Aluminum: Powder-coated, RAL9006

DN (mm)	Di (mm)	D1 (mm)	D2 (mm)	D3 (mm)	DF (mm)	* nB	d (mm)	TK (mm)	L1 (mm)	L2 (mm)	L2 (mm)	G (inch)	H (mm)	¹ 容积 (l) / ¹ vol. (l) (约 / approx.)	(E) + (E)		
															重量 / Weight (kg)	重量 / Weight (kg)	重量 / Weight (kg)
² 40	40,9	90	77	127,0	90	4	15,7	98,6	120	155	155	G 1/4"	50	0,22	3,4	2,5	2,0
50	52,6	110	88	152,4	92	4	19,1	120,7	149	187	187	G 1/4"	60	0,36	5,3	3,9	3,2
65	62,7	139	102	177,8	105	4	19,1	139,7	133	178	174	G 1/4"	74	0,44	5,9	5,3	3,7
80	78,0	173	126	190,3	127	4	19,1	152,4	173	221	217	G 1/4"	90	0,88	8,1	7,1	4,8
100	102,4	203	146	228,6	157	8	19,1	190,5	224	272	268	G 1/4"	107	1,80	13,4	9,3	7,4
125	121,0	252	184	254,0	185	8	22,5	215,9	286	334	-	G 1/4"	130	2,7	25,0	-	-
150	154,1	301	257	279,4	215	8	22,5	241,3	356	406,8	-	G 1/4"	155	6,95	36,5	-	-

* 孔数
¹ 容积 = 衬套关闭时控制介质容积
² 螺母 (M16) 对接法兰与阀门法兰安装时不能转动阀体

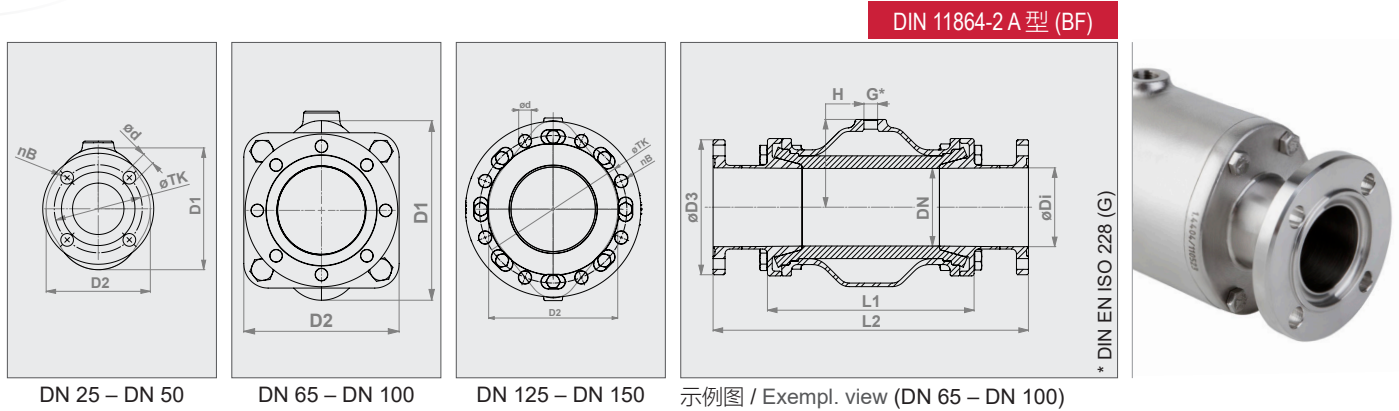
* Number of holes
¹ Volume = Control volume with closed sleeve
² Screw nuts (M16) for assembling counter flange are non-rotatable at Pinch Valve body

保留技术更改的权利

Technical details subject to change without notice.

气动夹管阀 – 无菌法兰 (RF)

Air operated Pinch Valve – Aseptic Flange (RF)



► 连接方式

法兰 根据 DIN 11864-2 A 型 (BF)
应要求: DIN 11853-2 (BF) (→ 卫生法兰)

► 壳体

DN 10 – 150: 不锈钢 (1.4408) (E)
DN 20 – 100: 铝 (A)
DN 10 – 15: 塑料 (POM) (P) 原色 (→ VMP系列)
DN 10 – 15: 塑料 (POM) (P) 导电 (→ VMP系列)

► 法兰

DN 10 – 150: 不锈钢 (1.4404) (E)

► 阀门表面

不锈钢: 电抛光 亚光
产品附加件:
DN 10 – 50 Ra 0,5
DN 65 – 150 Ra 0,8 其他材料请和我们洽询
粉末涂层, RAL9006, RAL9006

铝:



► Connection type

Flange according to DIN 11864-2 form A (BF)
DIN 11853-2 (BF) on request (→ hygienic flange)

► Body

DN 10 – 150: Stainless steel (1.4408) (E)
DN 20 – 100: Aluminum (A)
DN 10 – 15: Plastic (POM) (P) natural white (→ VMP series)
DN 10 – 15: Plastic (POM) (P) conductive (→ VMP series)

► Flange

DN 10 – 150: Stainless steel (1.4404) (E)

► Valve finish

Stainless steel: Electropolished, matt
Wetted parts:
DN 10 – 50 Ra 0,5
DN 65 – 150 Ra 0,8 Others on request

Aluminum: Powder-coated, RAL9006



具有EHEDG认证的夹管阀
→ 请参阅VMCE系列



For pinch valves with EHEDG certification
→ see VMCE series

DN (mm)	Di (mm)	D1 (mm)	D2 (mm)	ø D3 (mm)	nB	ø d (mm)	ø TK (mm)	L1 (mm)	L2 (mm)	G (inch)	H (mm)	¹ 容积 (l) / ¹ vol. (l) (约 / approx.)	(E) + (E) 重量 / Weight (kg)	(A) + (E) 重量 / Weight (kg)
10	10	46	35	54	4	9	37	68	195	G 1/8"	23	0,03	0,9	-
15	16	56	47	59	4	9	42	85	220	G 1/8"	28	0,05	1,2	-
20	20	62	49	64	4	9	47	93	232	G 1/8"	32	0,07	1,5	1,06
25	26	72	57	70	4	9	53	110	245	G 1/8"	37	0,09	2,0	1,42
32	32	80	66	76	4	9	59	130	268	G 1/4"	45	0,13	2,5	1,80
40	38	90	77	82	4	9	65	150	280	G 1/4"	50	0,22	3,2	2,28
50	50	110	88	94	4	9	77	175	306	G 1/4"	60	0,36	4,7	3,34
65	66	133	115	113	8	9	95	173	324	G 1/4"	74	0,44	5,5	4,40
80	81	166	133	133	8	11	112	213	370	G 1/4"	90	0,88	7,9	6,42
100	100	203	156	159	8	11	137	264	421	G 1/4"	107	1,80	14,2	10,04
125	125	252	184	250	8	18	210	330	476	G 1/4"	130	2,70	28,0	-
150	150	301	257	285	8	22	240	406	556	G 1/4"	155	6,95	40,3	-

* 孔数
¹ 容积 = 衬套关闭时控制介质容积

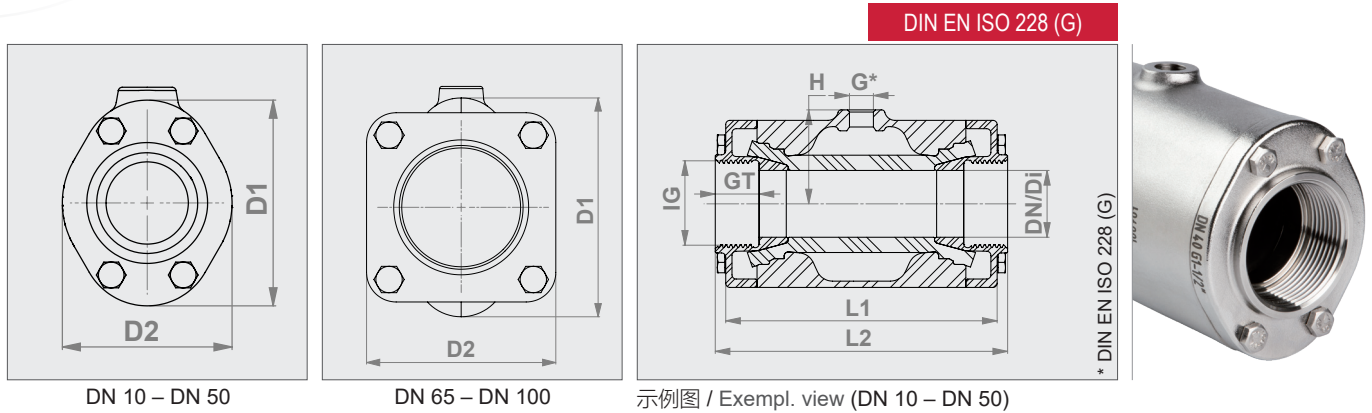
* Number of holes
¹ Volume = Control volume with closed sleeve

保留技术更改的权利

Technical details subject to change without notice.

气动夹管阀 – 内螺纹 (G)

Air operated Pinch Valve – Internal Thread (G)



VMCE 系列 | VMC series

连接方式
内螺纹 根据 DIN EN ISO 228 (G)

壳体
DN 10 – 100: 不锈钢 (1.4408) (E)
DN 20 – 100: 铝 (A)
DN 10 – 15: 塑料 (POM) (P) 原色 (→ VMP系列)
DN 10 – 15: 塑料 (POM) (P) 导电 (→ VMP系列)

套管盖 / 螺纹帽
DN 10 – 100: 不锈钢 (1.4404) (E)
DN 20 – 50: 塑料 (POM) (P) 原色 (白色)
DN 20 – 50: 塑料 (POM) (P) 导电
DN 20 – 50: 铝 (A)

阀门表面
不锈钢: 电抛光 亚光
产品附加件:
DN 10 – 50 Ra 0,5
DN 65 – 100 Ra 0,8 其他材料请和我们洽询
铝: 壳体: 粉末涂层, RAL9006
套管盖: 中性硬质阳极氧化, 无烟煤

Connection type
Internal thread according to DIN EN ISO 228 (G)

Body
DN 10 – 100: Stainless steel (1.4408) (E)
DN 20 – 100: Aluminum (A)
DN 10 – 15: Plastic (POM) (P) natural white (→ VMP series)
DN 10 – 15: Plastic (POM) (P) conductive (→ VMP series)

Socket ends
DN 10 – 100: Stainless steel (1.4404) (E)
DN 20 – 50: Plastic (POM) (P) natural white
DN 20 – 50: Plastic (POM) (P) conductive
DN 20 – 50: Aluminum (A)

Valve finish
Stainless steel: Electropolished, matt
Wetted parts:
DN 10 – 50 Ra 0,5
DN 65 – 100 Ra 0,8 *Others on request*
Aluminum: Body: Powder-coated, RAL9006
Sockets: neutral hard-anodized, anthracite

DN / Di (mm)	D1 (mm)	D2 (mm)	IG (inch)	GT (mm)	L1 (mm)	L2 (mm)	G (inch)	H (mm)	¹容积 (l) / ¹ vol. (l) (约 / approx.)	(E) + (E)	(A) + (E)	(A) + (P)	(P) + (E)	(A) + (A)
										重量 / Weight (kg)	重量 / Weight (kg)	重量 / Weight (kg)	重量 / Weight (kg)	重量 / Weight (kg)
10	46	35	G¾"	12	68	80	G 1/8"	23	0,03	0,5	-	-	0,2	-
15	56	47	G½"	15	85	95	G 1/8"	28	0,05	0,8	-	-	0,4	-
20	62	49	G¾"	17	93	103	G 1/8"	32	0,07	0,9	0,5	0,4	-	0,45
25	72	57	G1"	20	110	120	G 1/8"	37	0,09	1,3	0,8	0,5	-	0,60
32	80	66	G1¼"	21	130	140	G 1/4"	45	0,13	1,7	1,1	0,7	-	0,80
40	90	77	G1½"	21	150	160	G 1/4"	50	0,22	2,4	1,5	0,9	-	1,15
50	110	88	G2"	25	175	185	G 1/4"	60	0,36	3,6	2,2	1,6	-	1,80
65	139	115	G2½"	30	173	200	G 1/4"	74	0,44	4,0	3,0	-	-	-
80	173	133	G3"	33	213	230	G 1/4"	90	0,88	5,6	4,4	-	-	-
100	203	156	G4"	20	264	280	G 1/4"	107	1,80	11,0	6,6	-	-	-

¹ 容积 = 衬套关闭时控制介质容积
* K为选择型号长度=150mm

¹ Volume = Control volume with closed sleeve
* Alternatively available is our K-variant → Length = 150mm

保留技术更改的权利

Technical details subject to change without notice.

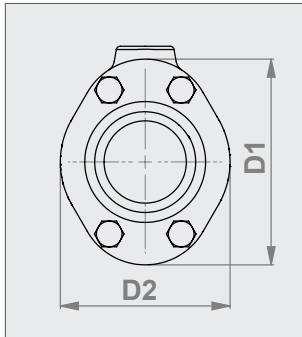


数据表 / Data Sheet
DB_PV_VMC_CN+EN_2020-07-14

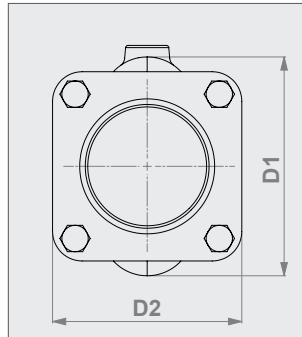
气动夹管阀 – 内螺纹 (N)

Air operated Pinch Valve – Internal Thread (N)

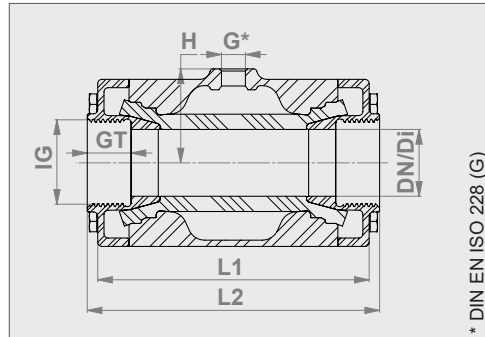
ANSI / ASME B1.20.1 (NPT)



DN 10 – DN 50



DN 65 – DN 100



示例图 / Exmpl. view (DN 10 – DN 50)



* DIN EN ISO 228 (G)

VMCE 系列 | VMC series



► 连接方式

内螺纹 根据 ANSI / ASME B1.20.1 (NPT)

► 壳体

DN 10 – 100: 不锈钢 (1.4408) (E)
 DN 20 – 100: 铝 (A)
 DN 10 – 15: 塑料 (POM) (P) 原色 (→ VMP系列)
 DN 10 – 15: 塑料 (POM) (P) 导电 (→ VMP系列)

► 套管盖 / 螺纹帽

DN 10 – 100: 不锈钢 (1.4404) (E)
 DN 20 – 50: 塑料 (POM) (P) 原色 (白色)
 DN 20 – 50: 塑料 (POM) (P) 导电
 DN 20 – 50: 铝 (A)

► 阀门表面

不锈钢: 电抛光 亚光
 产品附加件:
 DN 10 – 50 Ra 0,5
 DN 65 – 100 Ra 0,8 其他材料请和我们洽询

铝: 壳体: 粉末涂层, RAL9006
 套管盖: 中性硬质阳极氧化, 无烟煤



► Connection type

Internal thread according to ANSI / ASME B1.20.1 (NPT)

► Body

DN 10 – 100: Stainless steel (1.4408) (E)
 DN 20 – 100: Aluminum (A)
 DN 10 – 15: Plastic (POM) (P) natural white (→ VMP series)
 DN 10 – 15: Plastic (POM) (P) conductive (→ VMP series)

► Socket ends

DN 10 – 100: Stainless steel (1.4404) (E)
 DN 20 – 50: Plastic (POM) (P) natural white
 DN 20 – 50: Plastic (POM) (P) conductive
 DN 20 – 50: Aluminum (A)

► Valve finish

Stainless steel: Electropolished, matt
Wetted parts:
 DN 10 – 50 Ra 0,5
 DN 65 – 100 Ra 0,8 *Others on request*

Aluminum:
Body: Powder-coated, RAL9006
Sockets: neutral hard-anodized, anthracite

DN / Di (mm)	D1 (mm)	D2 (mm)	IG (inch)	GT (mm)	L1 (mm)	L2 (mm)	G (inch)	H (mm)	¹容积 (l) / ¹ vol. (l) (约 / approx.)	(E) + (E)	(A) + (E)	(A) + (P)	(P) + (E)	(A) + (A)
										重量 / Weight (kg)	重量 / Weight (kg)	重量 / Weight (kg)	重量 / Weight (kg)	重量 / Weight (kg)
10	46	35	G¾"	12	68	80	G 1/8"	23	0,03	0,5	-	-	0,2	-
15	56	47	G½"	15	85	95	G 1/8"	28	0,05	0,8	-	-	0,4	-
20	62	49	G¾"	17	93	103	G 1/8"	32	0,07	0,9	0,5	0,4	-	0,45
25	72	57	G1"	20	110	120	G 1/8"	37	0,09	1,3	0,8	0,5	-	0,60
32	80	66	G1¼"	21	130	140	G 1/4"	45	0,13	1,7	1,1	0,7	-	0,80
40	90	77	G1½"	21	150	160	G 1/4"	50	0,22	2,4	1,5	0,9	-	1,15
50	110	88	G2"	25	175	185	G 1/4"	60	0,36	3,6	2,2	1,6	-	1,80
65	139	115	G2½"	30	173	200	G 1/4"	74	0,44	4,0	3,0	-	-	-
80	173	133	G3"	33	213	230	G 1/4"	90	0,88	5,6	4,4	-	-	-
100	203	156	G4"	20	264	280	G 1/4"	107	1,80	11,0	6,6	-	-	-

¹ 容积 = 衬套关闭时控制介质容积
 * K为选择型号长度=150mm

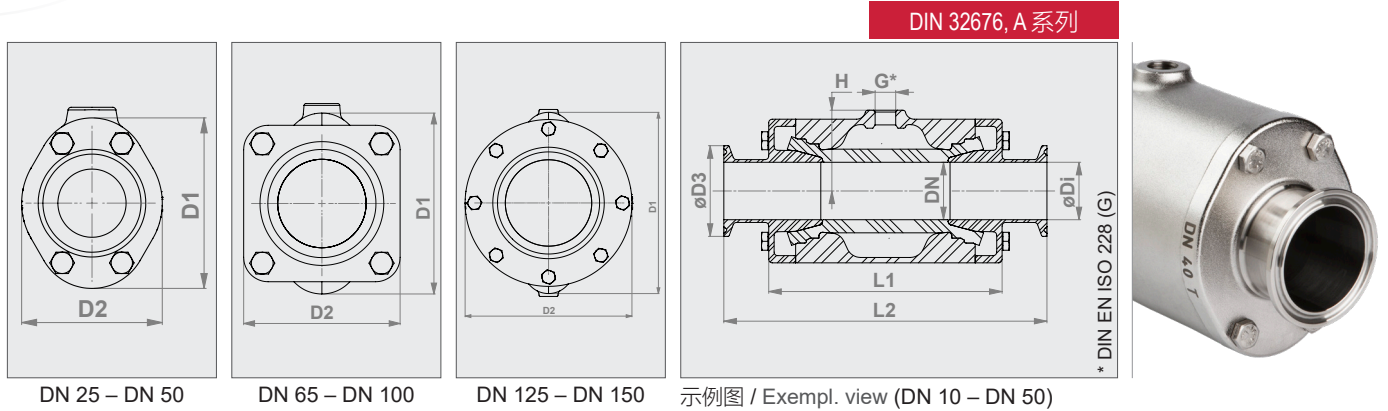
¹ Volume = Control volume with closed sleeve
 * Alternatively available is our K-variant → Length = 150mm

保留技术更改的权利

Technical details subject to change without notice.

气动夹管阀 – 卡箍式接头 (T)

Air operated Pinch Valve – Tri-Clamp (T)



► 连接方式

卡箍连接 根据 DIN 32676, A 系列

► 壳体

DN 10 – 150: 不锈钢 (1.4408) (E)
 DN 20 – 100: 铝 (A)
 DN 10 – 15: 塑料 (POM) (P) 原色 (→ VMP系列)
 DN 10 – 15: 塑料 (POM) (P) 导电 (→ VMP系列)

► 套管盖 / 卡箍式接头

DN 10 – 150: 不锈钢 (1.4404) (E)

► 阀长度

DN 10: 根据 DIN EN 558, 27 系列
 DN 15 – 50: 根据 DIN EN 558, 1 系列
 DN 65 – 100: 根据 DIN EN 558, 7 系列

► 阀门表面

不锈钢: 电抛光 亚光
 产品附加件:
 DN 10 – 50 Ra 0,5
 DN 65 – 150 Ra 0,8 其他材料请和我们洽询
铝: 粉末涂层, RAL9006, RAL9006

i 具有EHEDG认证的夹管阀
 → 请参阅VMCE系列



► Connection type

Tri-Clamp according to DIN 32676 row A

► Body

DN 10 – 150: Stainless steel (1.4408) (E)
 DN 20 – 100: Aluminum (A)
 DN 10 – 15: Plastic (POM) (P) natural white (→ VMP series)
 DN 10 – 15: Plastic (POM) (P) conductive (→ VMP series)

► Tri-Clamp

DN 10 – 150: Stainless steel (1.4404) (E)

► Valve face to face length

DN 10: Acc. to DIN EN 558 row 27
 DN 15 – 50: Acc. to DIN EN 558 row 1
 DN 65 – 100: Acc. to DIN EN 558 row 7

► Valve finish

Stainless steel: Electropolished, matt
Wetted parts:
 DN 10 – 50 Ra 0,5
 DN 65 – 150 Ra 0,8 Others on request
Aluminum: Powder-coated, RAL9006

i For pinch valves with EHEDG certification
 → see VMCE series

DN (mm)	ø Di (mm)	D1 (mm)	D2 (mm)	ø D3 (mm)	L1 (mm)	L2 (mm)	G (inch)	H (mm)	¹容积 (l) / ¹ vol. (l) (约 / approx.)	(E) + (E)	(A) + (E)	(P) + (E)
										重量 / Weight (kg)	重量 / Weight (kg)	重量 / Weight (kg)
10	10	46	35	34	68	115	G 1/8"	23	0,03	0,5	-	0,3
15	16	56	47	34	85	130	G 1/8"	28	0,05	0,9	-	0,5
20	20	62	49	34	93	150	G 1/8"	32	0,07	1,0	0,6	-
25	26	72	57	50,50	110	160	G 1/8"	37	0,09	1,5	1,0	-
32	32	80	66	50,50	130	180	G 1/4"	45	0,13	1,9	1,3	-
40	38	90	77	50,50	150	200	G 1/4"	50	0,22	2,6	1,7	-
50	50	110	88	64	175	230	G 1/4"	60	0,36	3,9	2,5	-
65	66	139	115	91	173	216	G 1/4"	74	0,44	4,3	3,3	-
80	81	173	133	106	213	254	G 1/4"	90	0,88	6,2	4,8	-
100	100	203	156	119	264	305	G 1/4"	107	1,80	11,4	7,3	-
125	120	252	184	155	330	390	G 1/4"	130	2,7	25,7	-	-
150	150	301	257	183	406	466	G 1/4"	155	6,95	36,7	-	-

¹ 容积 = 衬套关闭时控制介质容积

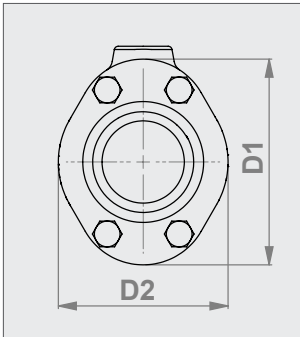
保留技术更改的权利

¹ Volume = Control volume with closed sleeve

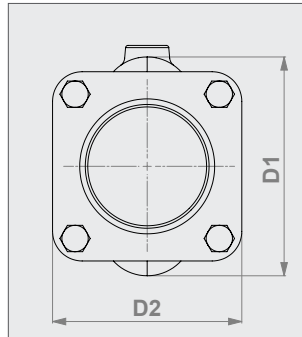
Technical details subject to change without notice.

气动夹管阀 – 卡箍式接头 (TA) Air operated Pinch Valve – Tri-Clamp (TA)

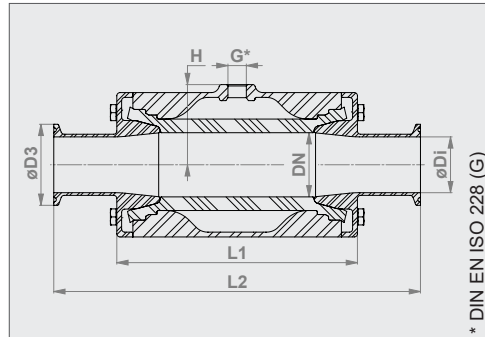
DIN 32676, C 系列



DN 10 – DN 50



DN 65 – DN 100



示例图 / Exmpl. view (DN 65 – DN 100)



* DIN EN ISO 228 (G)

VMCE 系列 | VMCE series



► 连接方式

卡箍连接 根据 DIN 32676, C 系列

► 壳体

DN 10 – 100: 不锈钢 (1.4408) (E)
DN 20 – 100: 铝 (A)
DN 10 – 15: 塑料 (POM) (P) 原色 (→ VMP系列)
DN 10 – 15: 塑料 (POM) (P) 导电 (→ VMP系列)

► 套管盖 / 卡箍式接头

DN 10 – 100: 不锈钢 (1.4404) (E)

► 阀门表面

不锈钢: 电抛光 亚光
产品附加件:
DN 10 – 50 Ra 0,5
DN 65 – 100 Ra 0,8 其他材料请和我们洽询
铝: 粉末涂层, RAL9006, RAL9006



► Connection type

Tri-Clamp according to DIN 32676 row C

► Body

DN 10 – 100: Stainless steel (1.4408) (E)
DN 20 – 100: Aluminum (A)
DN 10 – 15: Plastic (POM) (P) natural white (→ VMP series)
DN 10 – 15: Plastic (POM) (P) conductive (→ VMP series)

► Tri-Clamp

DN 10 – 150: Stainless steel (1.4404) (E)

► Valve finish

Stainless steel: Electropolished, matt
Wetted parts:
DN 10 – 50 Ra 0,5
DN 65 – 150 Ra 0,8 *Others on request*
Aluminum: Powder-coated, RAL9006



具有EHEDG认证的夹管阀
→ 请参阅VMCE系列



For pinch valves with EHEDG certification
→ see VMCE series

DN (mm)	ø D1 (mm)	D1 (mm)	D2 (mm)	ø D3 (mm)	L1 (mm)	L2 (mm)	L2 (inch)	G (inch)	H (mm)	¹容积 (l) / ¹ vol. (l) (约 / approx.)	(E) + (E)	(A) + (E)	(P) + (E)
											重量 / Weight (kg)	重量 / Weight (kg)	重量 / Weight (kg)
10	7,75	46	35	25	68	114,3	4,5	G 1/8"	23	0,03	0,5	-	0,3
15	9,4	56	47	25	85	139,7	5,5	G 1/8"	28	0,05	0,8	-	0,4
20	15,75	62	49	25	93	152,4	6	G 1/8"	32	0,07	1,0	0,6	-
25	22,10	72	57	50,50	110	152,4	6	G 1/8"	37	0,09	1,5	1,0	-
40	34,8	90	77	50,50	150	228,6	9	G 1/4"	50	0,22	2,7	1,9	-
50	47,50	110	88	64	175	228,6	9	G 1/4"	60	0,36	4,0	2,6	-
65	60,20	139	115	77,50	173	228,6	9	G 1/4"	74	0,44	4,6	3,9	-
80	72,90	173	133	91	213	304,8	12	G 1/4"	90	0,88	6,4	5,3	-
100	97,38	203	156	119	264	355,6	14	G 1/4"	107	1,80	11,7	7,7	-

¹ 容积 = 衬套关闭时控制介质容积

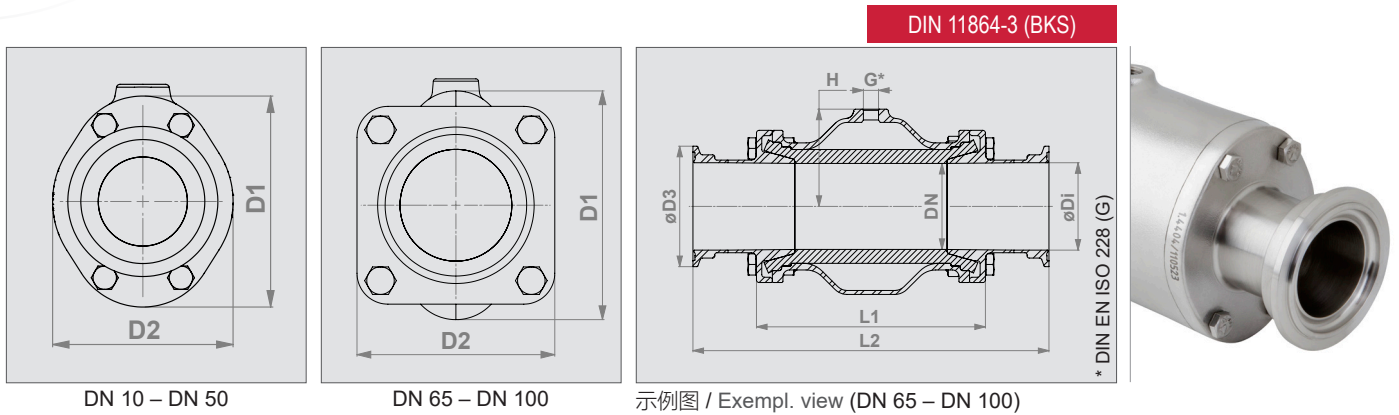
保留技术更改的权利

¹ Volume = Control volume with closed sleeve

Technical details subject to change without notice.

气动夹管阀 – 无菌卡箍式接头 (RT)

Air operated Pinch Valve – Aseptic Tri-Clamp (RT)



连接方式
卡箍连接 根据 DIN 11864-3 (BKS)
应要求: DIN 11853-3 (BKS) (→ 卫生卡箍式接头)

壳体
DN 10 – 100: 不锈钢 (1.4408) (E)
DN 20 – 100: 铝 (A)
DN 10 – 15: 塑料 (POM) (P) 原色 (→ VMP系列)
DN 10 – 15: 塑料 (POM) (P) 导电 (→ VMP系列)

套管盖 / 卡箍式接头
DN 10 – 100: 不锈钢 (1.4404) (E)

阀门表面
不锈钢: 电抛光 亚光
产品附加件:
DN 10 – 50 Ra 0,5
DN 65 – 100 Ra 0,8 其他材料请和我们洽询
铝: 粉末涂层, RAL9006, RAL9006

i 具有EHEDG认证的夹管阀
→ 请参阅VMCE系列

Connection type
Tri-Clamp according DIN 11864-3 (BKS)
DIN 11853-3 (BKS) on request (→ hygienic Tri-Clamp)

Body
DN 10 – 100: Stainless steel (1.4408) (E)
DN 20 – 100: Aluminum (A)
DN 10 – 15: Plastic (POM) (P) natural white (→ VMP series)
DN 10 – 15: Plastic (POM) (P) conductive (→ VMP series)

Aseptic Tri-Clamp
DN 10 – 100: Stainless steel (1.4404) (E)

Valve finish
Stainless steel: Electropolished, matt
Wetted parts:
DN 10 – 50 Ra 0,5
DN 65 – 100 Ra 0,8 Others on request
Aluminum: Powder-coated, RAL9006

i For pinch valves with EHEDG certification
→ see VMCE series

DN (mm)	ø Di (mm)	D1 (mm)	D2 (mm)	ø D3 (mm)	L1 (mm)	L2 (mm)	G (inch)	H (mm)	¹ 容积 (l) / ¹ vol. (l) (约 / approx.)	(E) + (E) 重量 / Weight (kg)	(A) + (E) 重量 / Weight (kg)
10	10	46	35	34	68	191	G 1/8"	23	0,03	0,6	-
15	16	56	47	34	85	216	G 1/8"	28	0,05	0,9	-
20	20	62	49	50,5	93	228	G 1/8"	32	0,07	1,2	0,76
25	26	72	57	50,5	110	242	G 1/8"	37	0,09	1,6	1,04
32	32	80	66	50,5	130	266	G 1/4"	45	0,13	2,1	1,32
40	38	90	77	64	150	278	G 1/4"	50	0,22	2,7	1,80
50	50	110	88	77,5	175	305	G 1/4"	60	0,36	4,1	2,78
65	66	133	115	91	173	329	G 1/4"	74	0,44	4,7	3,62
80	81	166	133	106	213	371	G 1/4"	90	0,88	6,5	5,10
100	100	203	156	130	264	425	G 1/4"	107	1,80	12,0	7,90

¹容积 = 衬套关闭时控制介质容积

¹ Volume = Control volume with closed sleeve

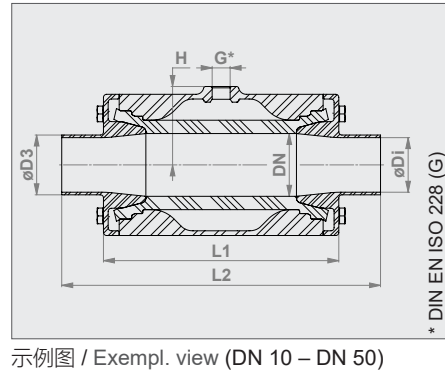
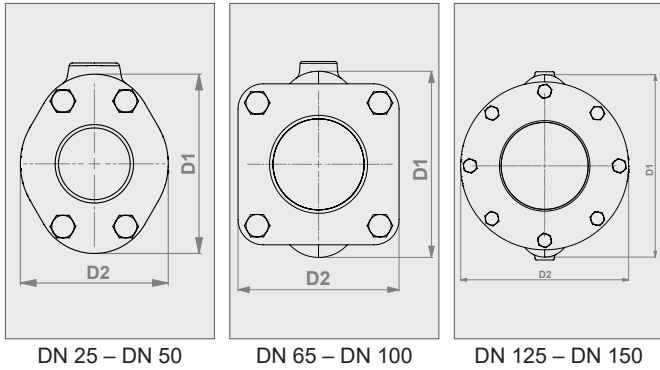
保留技术更改的权利

Technical details subject to change without notice.

气动夹管阀 – 焊接端 (R)

Air operated Pinch Valve – Weld-on ends (R)

DIN EN 10357 系列 A



VMCE 系列 | VMC series



► 连接方式

焊接端 根据 DIN EN 10357 系列 A

► 壳体

DN 10 – 150: 不锈钢 (1.4408) (E)
 DN 20 – 100: 铝 (A)
 DN 10 – 15: 塑料 (POM) (P) 原色 (→ VMP系列)
 DN 10 – 15: 塑料 (POM) (P) 导电 (→ VMP系列)

► 套管盖 / 焊接端

DN 10 – 150: 不锈钢 (1.4404) (E)

► 阀长度

DN 10: 根据 DIN EN 558, 27 系列
 DN 15 – 50: 根据 DIN EN 12982, 61 系列
 DN 65 – 125: 根据 DIN EN 558, 7 系列

► 阀门表面

不锈钢: 电抛光 亚光
 产品附加件:
 DN 10 – 50 Ra 0,5
 DN 65 – 150 Ra 0,8 其他材料请和我们洽询
 铝: 粉末涂层, RAL9006, RAL9006

i 具有EHEDG认证的夹管阀
 → 请参阅VMCE系列



► Connection type

Weld-on ends according to DIN EN 10357 series A

► Body

DN 10 – 150: Stainless steel (1.4408) (E)
 DN 20 – 100: Aluminum (A)
 DN 10 – 15: Plastic (POM) (P) natural white (→ VMP series)
 DN 10 – 15: Plastic (POM) (P) conductive (→ VMP series)

► Weld-on ends

DN 10 – 150: Stainless steel (1.4404) (E)

► Valve face to face length

DN 10: Acc. to DIN EN 558 row 27
 DN 15 – 50: Acc. to DIN EN 12982 row 61
 DN 65 – 125: Acc. to DIN EN 558 row 7

► Valve finish

Stainless steel: Electropolished, matt
 Wetted parts:
 DN 10 – 50 Ra 0,5
 DN 65 – 150 Ra 0,8 Others on request
 Aluminum: Powder-coated, RAL9006

i For pinch valves with EHEDG certification
 → see VMCE series

DN (mm)	ø D1 (mm)	D1 (mm)	D2 (mm)	ø D3 (mm)	L1 (mm)	L2 (mm)	G (inch)	H (mm)	¹ 容积 (l) / ¹ vol. (l) (约 / approx.)	重量 / Weight (kg)	重量 / Weight (kg)	重量 / Weight (kg)
										(E) + (E)	(A) + (E)	(P) + (E)
10	10	46	35	13x1,5	68	115	G 1/8"	23	0,03	0,5	-	0,3
15	16	56	47	19x1,5	85	140	G 1/8"	28	0,05	0,8	-	0,5
20	20	62	49	23x1,5	93	152	G 1/8"	32	0,07	1,0	0,6	-
25	26	72	57	29x1,5	110	165	G 1/8"	37	0,09	1,4	0,9	-
32	32	80	66	35x1,5	130	178	G 1/4"	45	0,13	1,9	1,2	-
40	38	90	77	41x1,5	150	190	G 1/4"	50	0,22	2,5	1,6	-
50	50	110	88	53x1,5	175	216	G 1/4"	60	0,36	3,8	2,5	-
65	66	139	115	70x2	173	216	G 1/4"	74	0,44	4,2	3,2	-
80	81	173	133	85x2	213	254	G 1/4"	90	0,88	6,0	4,6	-
100	100	203	156	104x2	264	305	G 1/4"	107	1,80	11,3	7,2	-
125	125	252	184	129x2	330	356	G 1/4"	130	2,70	24,6	-	-
150	150	301	257	154x2	406	436	G 1/4"	155	6,95	35,5	-	-

¹ 容积 = 衬套关闭时控制介质容积

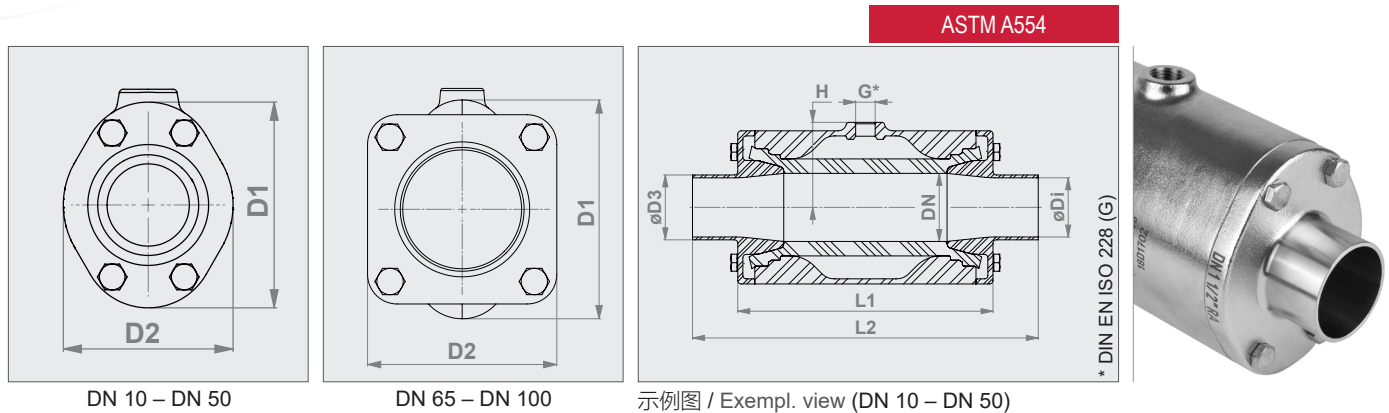
¹ Volume = Control volume with closed sleeve

保留技术更改的权利

Technical details subject to change without notice.



气动夹管阀 – 焊接端 (RA) Air operated Pinch Valve – Weld-on ends (RA)



连接方式
焊接端 根据 ASTM A554

壳体
DN 10 – 100: 不锈钢 (1.4408) (E)
DN 20 – 100: 铝 (A)
DN 10 – 15: 塑料 (POM) (P) 原色 (→ VMP系列)
DN 10 – 15: 塑料 (POM) (P) 导电 (→ VMP系列)

套管盖 / 焊接端
DN 10 – 100: 不锈钢 (1.4404) (E)

阀门表面
不锈钢: 电抛光 亚光
产品附加件:
DN 10 – 50 Ra 0,5
DN 65 – 100 Ra 0,8 其他材料请和我们洽询
铝: 粉末涂层, RAL9006, RAL9006

Connection type
Weld-on ends according to ASTM A554

Body
DN 10 – 100: Stainless steel (1.4408) (E)
DN 20 – 100: Aluminum (A)
DN 10 – 15: Plastic (POM) (P) natural white (→ VMP series)
DN 10 – 15: Plastic (POM) (P) conductive (→ VMP series)

Weld-on ends
DN 10 – 100: Stainless steel (1.4404) (E)

Valve finish
Stainless steel: Electropolished, matt
Wetted parts:
DN 10 – 50 Ra 0,5
DN 65 – 150 Ra 0,8 *Others on request*
Aluminum: Powder-coated, RAL9006

i 具有EHEDG认证的夹管阀
→ 请参阅VMCE系列

i For pinch valves with EHEDG certification
→ see VMCE series

DN (mm)	Ø Di (mm)	D1 (mm)	D2 (mm)	Ø D3 (mm)	L1 (mm)	L2 (mm)	L2 (inch)	G (inch)	H (mm)	¹ 容积 (l) / ¹ vol. (l) (约 / approx.)	(E) + (E) 重量 / Weight (kg)	(A) + (E) 重量 / Weight (kg)	(P) + (E) 重量 / Weight (kg)
10	7,75	46	35	9,53	68	101,6	4	G 1/8"	23	0,03	0,5	-	0,2
15	9,40	56	47	12,70	85	127,0	5	G 1/8"	28	0,05	0,8	-	0,4
20	15,75	62	49	19,05	93	152,4	6	G 1/8"	32	0,07	1,0	0,6	-
25	22,10	72	57	25,40	110	152,4	6	G 1/8"	37	0,09	1,5	0,9	-
40	34,80	90	77	38,10	150	203,2	8	G 1/4"	50	0,22	2,6	1,7	-
50	47,50	110	88	50,80	175	228,6	9	G 1/4"	60	0,36	3,9	2,5	-
65	60,20	139	115	63,50	173	228,6	9	G 1/4"	74	0,44	4,3	3,5	-
80	72,90	173	133	76,20	213	279,4	11	G 1/4"	90	0,88	6,2	5,1	-
100	97,38	203	156	101,60	264	330,2	13	G 1/4"	107	1,80	11,6	7,5	-

¹ 容积 = 衬套关闭时控制介质容积

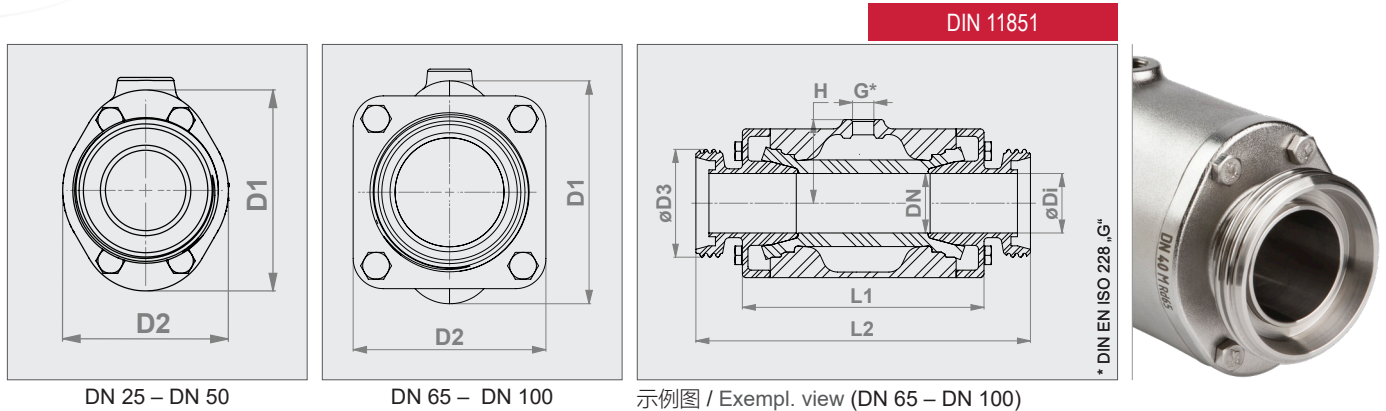
¹ Volume = Control volume with closed sleeve

保留技术更改的权利

Technical details subject to change without notice.

气动夹管阀 – 螺纹接头 (M)

Air operated Pinch Valve – Threaded spigot (M)



► **连接方式**
螺纹接头根据 DIN 11851

► **壳体**
DN 10 – 100: 不锈钢 (1.4408) (E)
DN 20 – 100: 铝 (A)
DN 10 – 15: 塑料 (POM) (P) 原色 (→ VMP系列)
DN 10 – 15: 塑料 (POM) (P) 导电 (→ VMP系列)

► **套管盖 / 螺纹接头**
DN 10 – 100: 不锈钢 (1.4404) (E)

► **阀长度**
DN 10: 根据 DIN EN 558, 27 系列
DN 15 – 50: 根据 DIN EN 558,1 系列

► **阀门表面**
不锈钢: 电抛光 亚光
产品附加件:
DN 10 – 50 Ra 0,5
DN 65 – 100 Ra 0,8 其他材料请和我们洽询
铝: 粉末涂层, RAL9006



► **Connection type**
Threaded spigot according to DIN 11851

► **Body**
DN 10 – 100: Stainless steel (1.4408) (E)
DN 20 – 100: Aluminum (A)
DN 10 – 15: Plastic (POM) (P) natural white (→ VMP series)
DN 10 – 15: Plastic (POM) (P) conductive (→ VMP series)

► **Threaded spigot**
DN 10 – 100: Stainless steel (1.4404) (E)

► **Valve face to face length**
DN 10: Acc. to DIN EN 558 row 27
DN 15 – 50: Acc. to DIN EN 558 row 1

► **Valve finish**
Stainless steel: Electropolished, matt
Wetted parts:
DN 10 – 50 Ra 0,5
DN 65 – 150 Ra 0,8 *Others on request*
Aluminum: Powder-coated, RAL9006

DN (mm)	ø Di (mm)	D1 (mm)	D2 (mm)	D3	G (inch)	H (mm)	L1 (mm)	L2 (mm)	* 容积 (l) / * vol. (l) (约 / approx.)	(E) + (E)	(A) + (E)	(P) + (E)
										重量 / Weight (kg)	重量 / Weight (kg)	重量 / Weight (kg)
10	10	46	35	Rd28x1/8"	G 1/8"	23	68	115	0,03	0,5	-	0,3
15	16	56	47	Rd34x1/8"	G 1/8"	28	85	130	0,05	0,9	-	0,5
20	20	62	49	Rd44x1/6"	G 1/8"	32	93	150	0,07	1,1	0,7	-
25	26	72	57	Rd52x1/6"	G 1/8"	37	110	160	0,09	1,6	1,1	-
32	32	80	66	Rd58x1/6"	G 1/4"	45	130	180	0,13	2,1	1,5	-
40	38	90	77	Rd65x1/6"	G 1/4"	50	150	200	0,22	2,8	1,9	-
50	50	110	88	Rd78x1/6"	G 1/4"	60	175	230	0,36	4,2	2,9	-
65	66	139	115	Rd95x1/6"	G 1/4"	74	173	296	0,44	4,8	4,1	-
80	81	173	133	Rd110x1/4"	G 1/4"	90	213	344	0,88	6,8	5,7	-
100	100	203	156	Rd130x1/4"	G 1/4"	107	264	413	1,80	12,6	8,5	-

* 容积 = 衬套关闭时控制介质容积

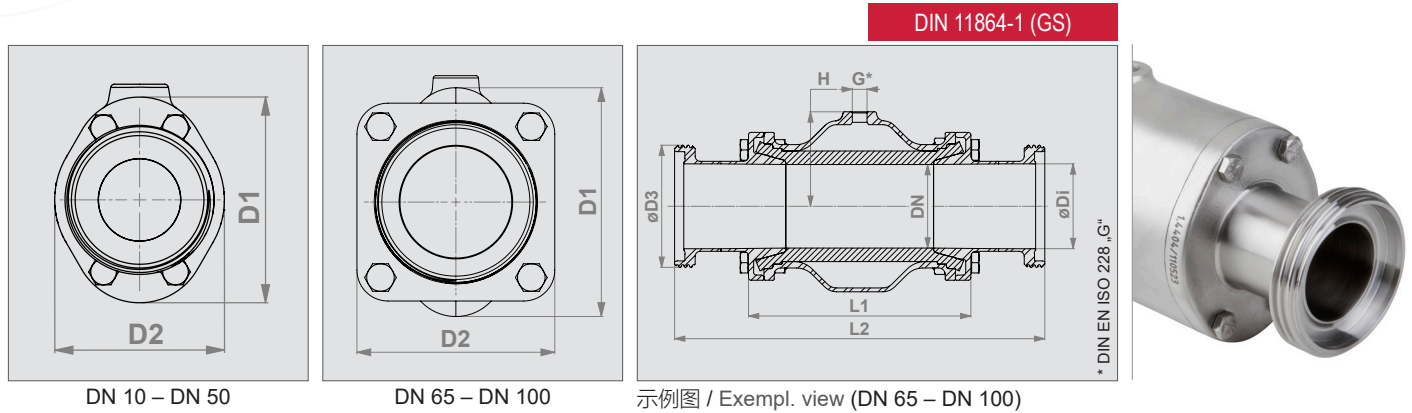
* Volume = Control volume with closed sleeve

保留技术更改的权利

Technical details subject to change without notice.

气动夹管阀 – 无菌螺纹接头 (RM)

Air operated Pinch Valve – Aseptic Threaded spigot (RM)



► 连接方式

螺纹接头根据h DIN 11864-1 (GS)
应要求: DIN 11853-1 (GS) (→ 卫生螺纹接头)

► 壳体

DN 10 – 100: 不锈钢 (1.4408) (E)
DN 20 – 100: 铝 (A)
DN 10 – 15: 塑料 (POM) (P) 原色 (→ VMP系列)
DN 10 – 15: 塑料 (POM) (P) 导电 (→ VMP系列)

► 套管盖 / 螺纹接头

DN 10 – 100: 不锈钢 (1.4404) (E)

► 阀门表面

不锈钢: 电抛光 亚光
产品附加件:
DN 10 – 50 Ra 0,5
DN 65 – 100 Ra 0,8 其他材料请和我们洽询
铝: 粉末涂层, RAL9006



► Connection type

Threaded spigot according DIN 11853-1 (GS)
DIN 11853-1 (GS) on request (→ hygienic threaded spigot)

► Body

DN 10 – 100: Stainless steel (1.4408) (E)
DN 20 – 100: Aluminum (A)
DN 10 – 15: Plastic (POM) (P) natural white (→ VMP series)
DN 10 – 15: Plastic (POM) (P) conductive (→ VMP series)

► Aseptic threaded spigot

DN 10 – 100: Stainless steel (1.4404) (E)

► Valve finish

Stainless steel: Electropolished, matt
Wetted parts:
DN 10 – 50 Ra 0,5
DN 65 – 100 Ra 0,8 Others on request
Aluminum: Powder-coated, RAL9006

i 具有EHEDG认证的夹管阀
→ 请参阅VMCE系列

i For pinch valves with EHEDG certification
→ see VMCE series

DN (mm)	ø Di (mm)	D1 (mm)	D2 (mm)	D3	G (inch)	H (mm)	L1 (mm)	L2 (mm)	¹ 容积 (l) / ¹ vol. (l) (约 / approx.)	(E) + (E) 重量 / Weight (kg)	(A) + (E) 重量 / Weight (kg)
10	10	46	35	Rd28x1/8"	G 1/8"	23	68	197	0,03	0,6	-
15	16	56	47	Rd34x1/8"	G 1/8"	28	85	222	0,05	1,0	-
20	20	62	49	Rd44x1/6"	G 1/8"	32	93	238	0,07	1,3	0,86
25	26	72	57	Rd52x1/6"	G 1/8"	37	110	251	0,09	1,8	1,22
32	32	80	66	Rd58x1/6"	G 1/4"	45	130	274	0,13	2,3	1,56
40	38	90	77	Rd65x1/6"	G 1/4"	50	150	286	0,22	3,0	2,04
50	50	110	88	Rd78x1/6"	G 1/4"	60	175	312	0,36	4,3	3,06
65	66	133	115	Rd95x1/6"	G 1/4"	74	173	336	0,44	5,1	4,10
80	81	166	133	Rd110x1/4"	G 1/4"	90	213	382	0,88	7,4	5,98
100	100	203	156	Rd130x1/4"	G 1/4"	107	264	433	1,80	13,0	8,80

¹ 容积 = 衬套关闭时控制介质容积

¹ Volume = Control volume with closed sleeve

保留技术更改的权利

Technical details subject to change without notice.