

Pullcord Switch

SNS2

DUK
DITTELBACH UND KERZLER



Pullcord switches are used along belt conveyors or other enlarged machines for manual stopping from any point of the machine.

Pull cord switches type SNS2 are designed for single side pull cord mounting. The length of the rope should not exceed 25m. The contacts are actuated according to EN60947 and EN418 either if manual pulled by the pullcord or in the case that the pullcord should be broken or slack. If manual actuated the switch latches itself automatically. Release of latching effected by actuating the blue pull knob.

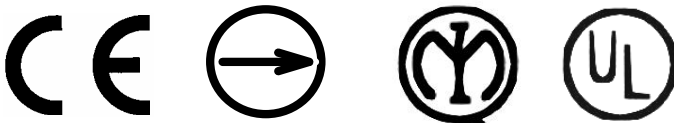
Easy adjustable and monitorable is the right pullcord pretensioning facilitated by a black hand in front of a green marked tolerance zone.

Malfunctions by vibrations or bulk solids falling from the conveyor onto the pullcord causing unwanted stops of the machine are mostly unlikely due to the long actuation way.

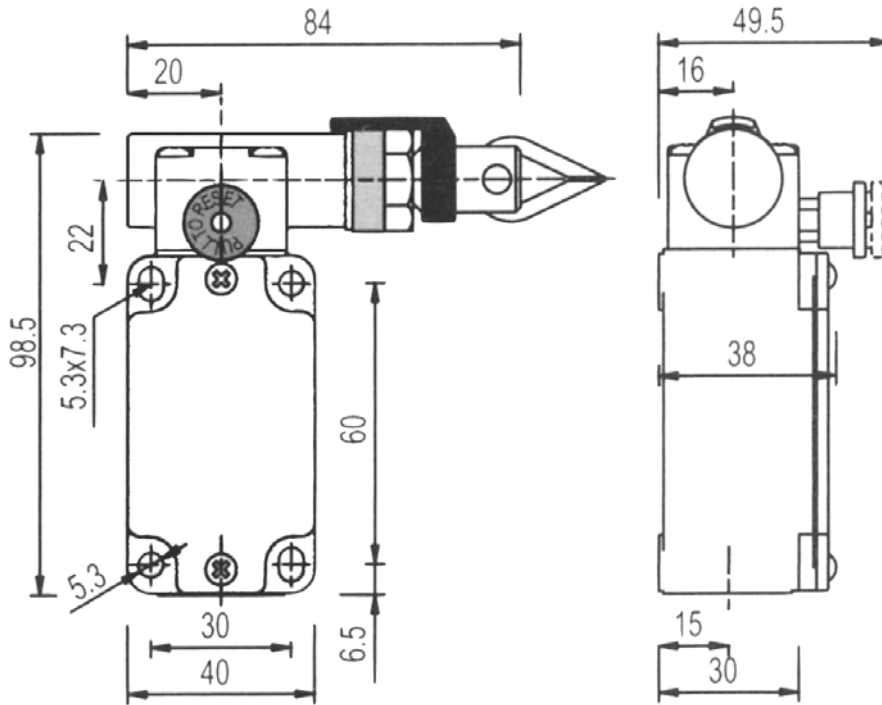
The housing is made of metal. It is water-proof, IP67-protected according to the standard EN 60529

Two versions are available: Types SNS21 are equipped with 1 contact NC plus 1 contact NO, types SNS22 are equipped with 2 contacts NC. All NC-contacts are direct opening contacts according to the standard EN 60947-5-1.

- **Single side pull cord up to 25m**
- **Long actuation way – no malfunctions**
- **Direct opening**
- **Automatical latching**
- **Stable all-metal housing**
- **IP67**



Pullcord switch SNS2



Technical data

According to standards EN 60 947 / EN 292 / UVV-VBG10/ DIN EN 418

Approval numbers IMQ: EG605

UL: E131787

Contacts 1 NC (direct opening) plus 1 NO (SNS21)

2 NC (direct opening) (SNS22)

Ith 10A

Utilization categorie AC15: 230V 6A, 400V 4A

DC13: 24V 6A, 120V 1A, 250V 0,4A

Cross section max. 2,5mm²

Way for actuation approx. 4 mm

Length of pullcord max. 25m

Cable inlet 1 x M20

Protection IP 67

Housing All metall, epoxy powder coated

Weight 0,4 kg

Fastening 4 holes for M5-screws

Mounting position free

Ambient temperature -25°C up to +80°C

mech life 1 000 000 cycles

Selection table

Type	Contacts	
	NC	NO
SNS21	1	1
SNS22	2	0

