

Self-Cleaning Screen Filters SUF series



APPLICATIONS: Industrial, municipal, agricultural applications

USAGE: SUF-series filters are automatic hydraulic or electrical filters which combine the advantages of high-quality filtration from variant water sources (sewage, lakes, rivers, etc.) with self-cleaning function, providing constant water supply.

OPERATION: The filtration flow is uninterrupted even during cleaning. The effective cleaning is performed from close distance suction nozzles that cover all inner surface through axial & rotation movement. Self-cleaning operation starts upon differential pressure and/ or time lapse.

Materials

BODY: Steel S235JR (also available in stainless steel AISI 304 & 316, upon request)

CARTRIDGE: Perforated stainless-steel sheet AISI 304, Molded Weave Wire stainless steel AISI 316 100 microns, rigid (u-pvc)-pvc 100 (DIN8061-8062)

GASKETS: EPDM

SURFACE TREATMENT: Chemical cleaning (pickling, phosphate) and electrostatic painting with polyester powder (available epoxy coatings suitable for drinking water).

ELECTRIC MODELS

INPUT POWER: 230 VAC

MOTOR: 370 W

CONTROL PANEL: PLC

CODE	05-11-201	05-11-301	05-11-401
DESCRIPTION	SUFV 2''	SUFV 3''	SUFV 4''
CONNECTIONS	TF	F	F
FILTRATION AREA (cm ²)	780	1450	1450
FLOW (m ³ /h)	25	40	80
CLEANING FLOW RATE (m ³ /h)	15	20	20
MAX PRESSURE (bar)	10	10	10
MIN PRESSURE (bar)	2	2	2
L (mm)	795	935	950
A (mm)	200	260	260
B (mm)	280	370	370
D (mm)	510	510	510
WEIGHT (kg)	48.0	58.0	60.0

CODE	05-11-400	05-11-600	05-11-402	05-11-602
DESCRIPTION	SUF 4''	SUF 6''	SUFE 4''	SUFE 6''
CONNECTIONS	F	F	F	F
FILTRATION AREA (cm ²)	5300	7750	5300	7750
FLOW (m ³ /h)	100	160	100	160
CLEANING FLOW RATE (m ³ /h)	26	26	26	26
MAX PRESSURE (bar)	10	10	10	10
MIN PRESSURE (bar)	2	2	2	2
L (mm)	1935	2345	2280	2680
A (mm)	580	635	580	635
B (mm)	800	900	800	900
C (mm)	300	550	200	450
D (mm)	300	600	200	500
W (mm)	500	500	470	470
WEIGHT (kg)	120.0	155.0	165.0	200.0

TF: Threaded Female BSP, F: Flanged, DIN 2576 PN 10

C (mm): Required minimum length for opening

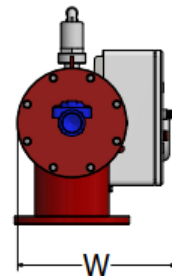
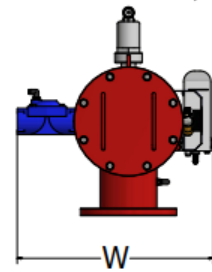
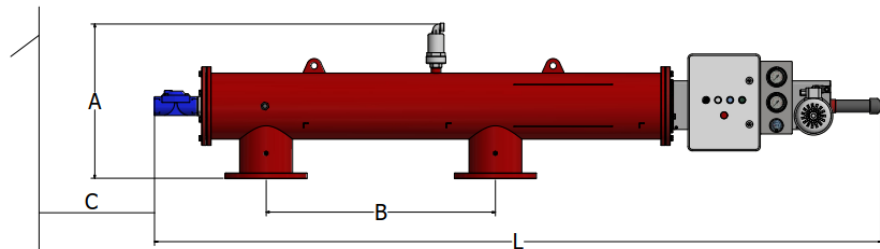
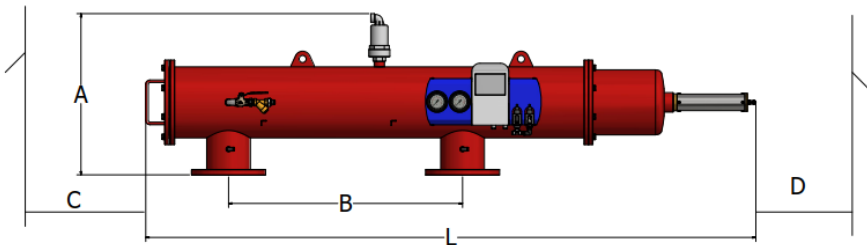
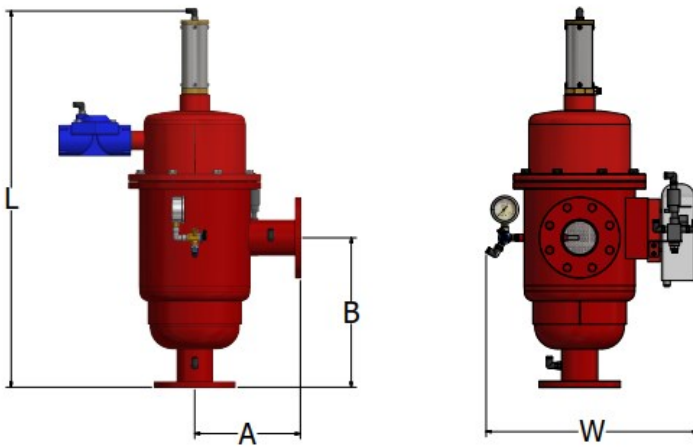
D (mm): Required minimum length for opening

All weights refer to flanged models.

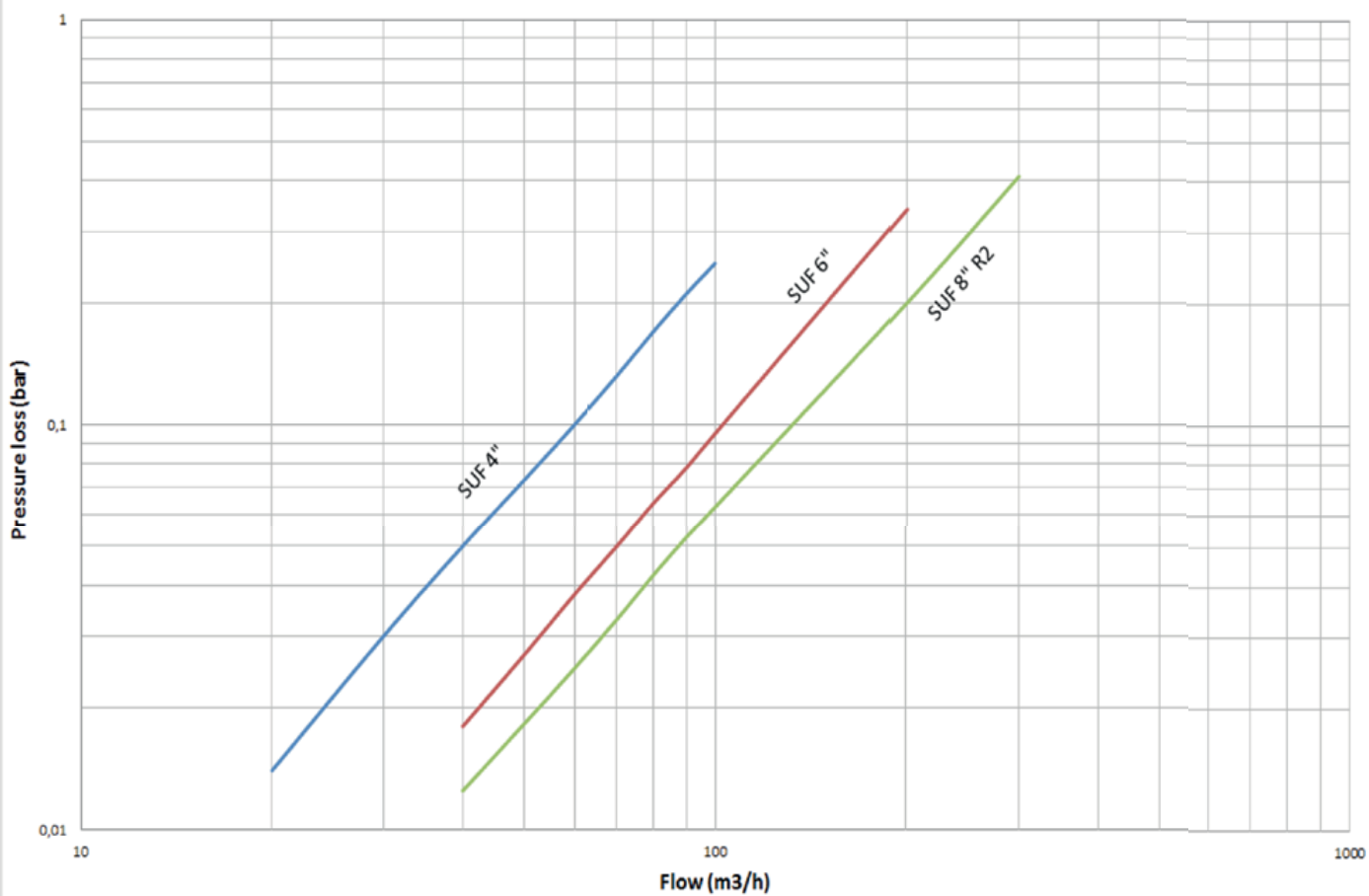
SUFV: SUF Vertical

SUF: SUF Horizontal

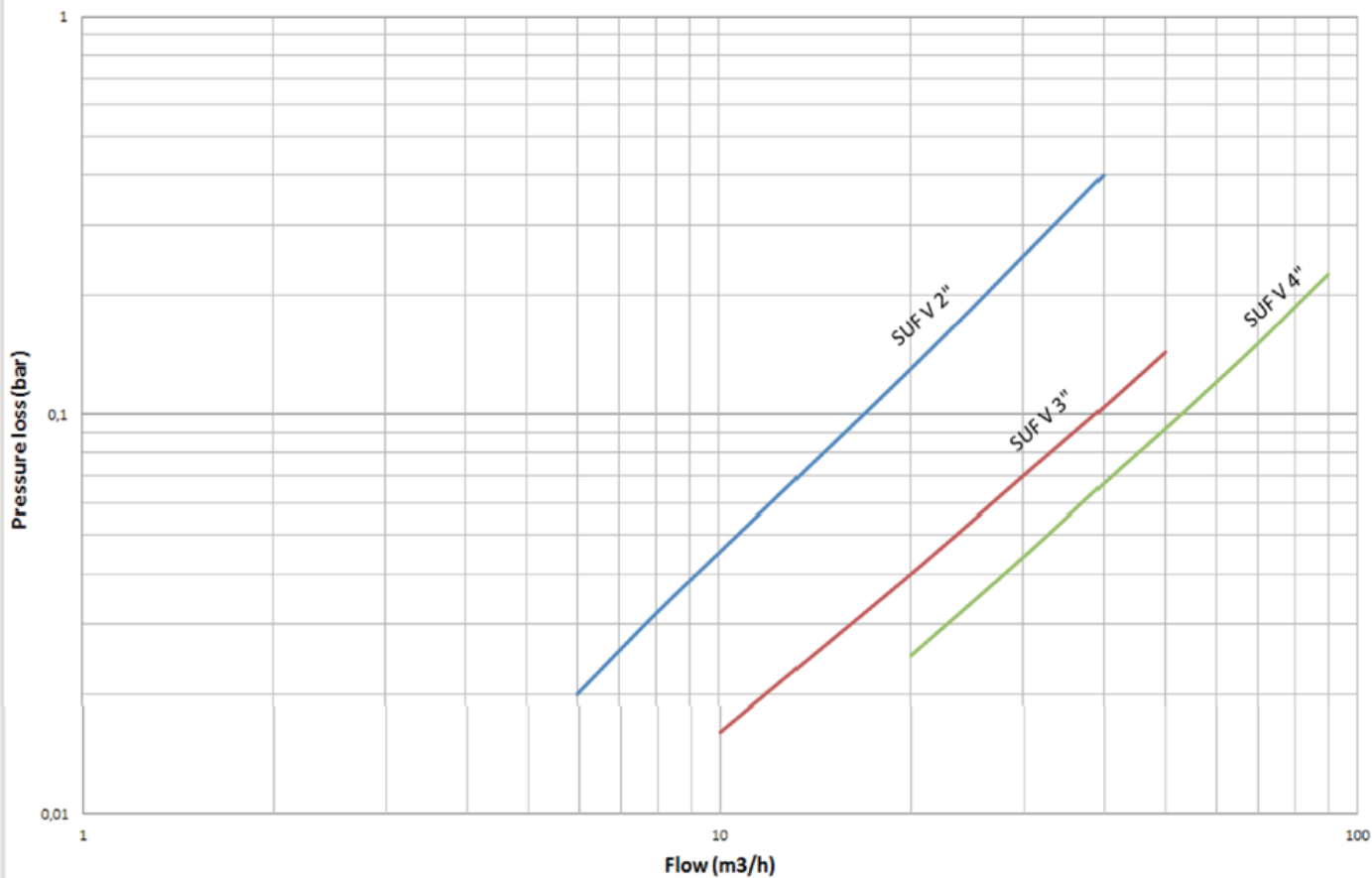
SUFE: SUF Electric



HEADLOSS SUF



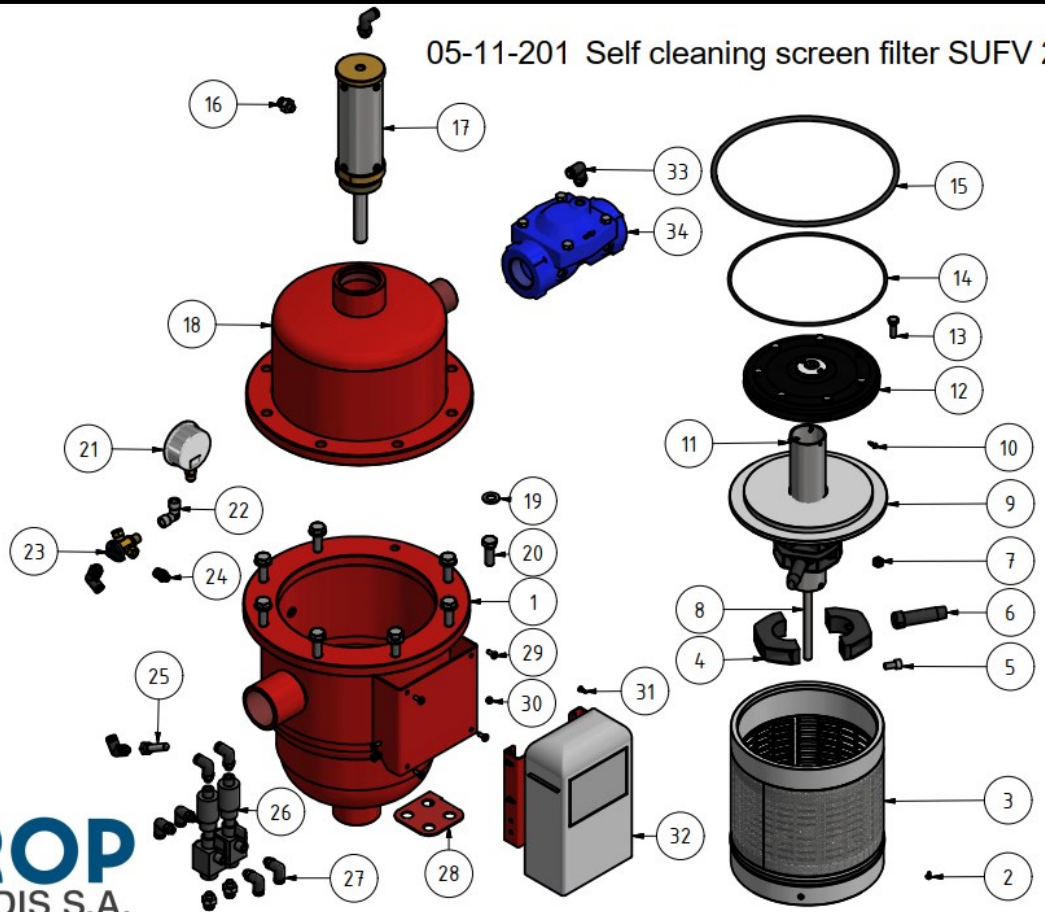
HEADLOSS SUF V



Part list 05-11-201

ITEM	QTY	PART NUMBER	TITLE
1	1	02-00-813	Filter housing SUFV 2"
2	15	02-10-140	Flat head screw 3.5x13 inox
3	1	02-03-079	Fine screen cartridge SUFV 2" 130 Mesh - 120 micron
4	6	02-03-165	Saddle Φ 50.8x19
5	6	02-10-124	Hexagon Socket Head Cap Screw inox304 M8x16 ISO 4762
6	1	02-03-164	Suction nozzle 19x78 SUF - SUFV
7	6	02-10-359	Nut M8 DIN 934 inox
8	1	00-03-302	Shaft of rotation Φ 11 inox
9	1	02-01-300	Rotor chamber diaphragm plastic SUF
10	8	02-10-194	Pan head tapping screw DIN7981 3.5X13
11	1	00-02-026	Tube d.50.8X1.5 inox 304
12	1	02-03-734-01-012	Plastic wing cover SUF
13	7	02-10-375	Bolt M8x25 DIN 933 inox
14	1	02-02-078	O-ring d. 220 x 4 mm
15	1	02-02-077	O-ring d.255 x 7
16	3	02-05-022	Connector lock Φ 8 x 1/8" TM
17	1	02-01-202	Hydraulic cylinder complete SUFV 2" - 3" - 4"
18	1	02-01-212	Rotor chamber SUFV 2", 3", 4"
19	8	02-10-250	Washer M12 DIN 125
20	8	02-10-131	Bolt galvanized M12X35 (DIN 933)
21	1	06-02-007	Glycerin pressure gauge 0-16 bar inox
22	1	02-05-027	Elbow ¼ " F-F
23	1	02-07-125	3way valve ¼ "
24	1	02-05-010	Nipple 1/4" x 1/8"
25	1	02-07-056	In line filter ¼" finger
26	2	02-07-000	Solenoid valve 1/8"-24V AC
27	7	02-05-008	Elbow lock Φ 8 x 1/8"
28	1	02-08-020	Mounting base for controller SUFV
29	8	02-10-157	Bolt M5 x 12
30	8	02-10-331	Nut M5
31	4	02-10-194	Pan head tapping screw DIN7981 3.5X13
32	1	02-07-203	Controller F1-10 (AC) 2station & DP
33	3	02-05-020	Elbow lock Φ 8 x 1/4" TM
34	1	02-04-166	Hydraulic valve 1½" BSP

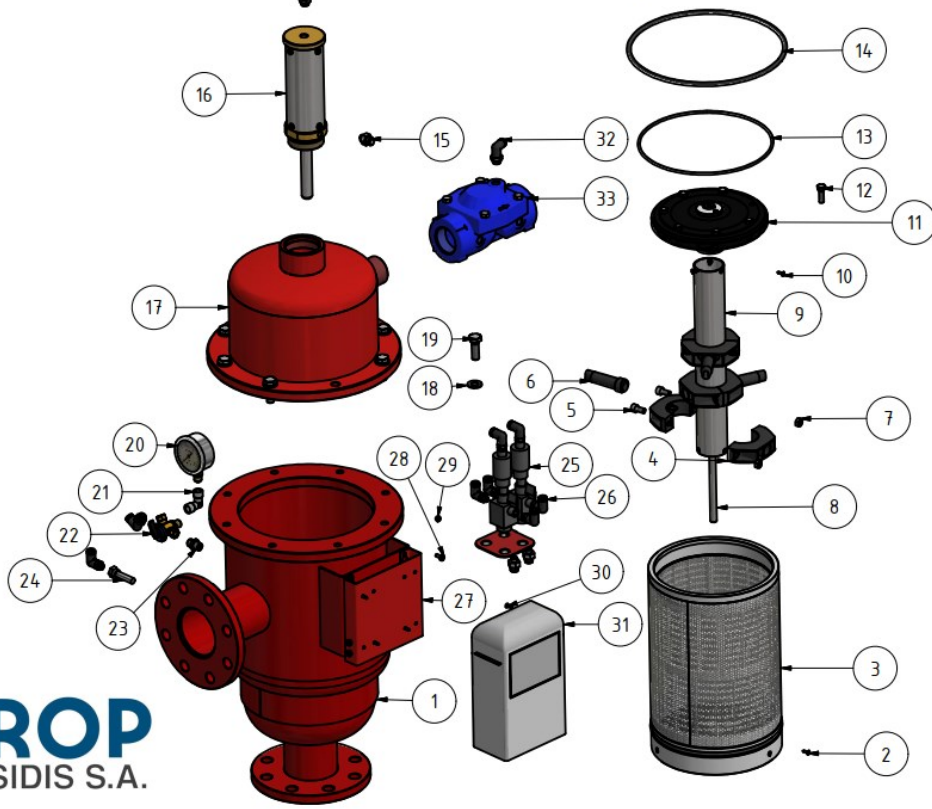
05-11-201 Self cleaning screen filter SUFV 2"



Part list 05-11-301

ITEM	QTY	PART NUMBER	TITLE
1	1	02-00-814	Filter housing SUFV 3"
2	3	02-10-140	Flat head screw 3.5x13 inox
3	1	02-03-080	Fine screen cartridge SUFV 3", 4" 130 Mesh - 120 micron
4	6	02-03-165	Saddle Ø50.8x19
5	6	02-10-124	Hexagon Socket Head Cap Screw inox304 M8x16 ISO 4762
6	3	02-03-164	Suction nozzle 19x78 SUF - SUFV
7	6	02-10-359	Nut M8 DIN 934 inox
8	1	00-03-302	Shaft of rotation Ø11 inox
9	1	00-02-026	Tube inox 304
10	12	02-10-140	Flat head screw 3.5x13 inox
11	1	02-03-734-01	Plastic wing cover SUF
12	7	02-10-375	Bolt M8x25 DIN 933 inox
13	1	02-02-078	O-ring NBR d.22 x 4
14	1	02-02-077	O-ring d.255 x 7
15	3	02-05-022	Connector lock Ø8 x 1/8" TM
16	1	02-01-202	Hydraulic cylinder complete SUFV 2"- 3"- 4"
17	1	02-01-212	Rotor chamber SUFV 2", 3", 4"
18	8	02-10-250	Washer M12 DIN 125
19	8	02-10-131	Bolt galvanized M12X35 (DIN 933)
20	1	06-02-007	Glycerin pressure gauge 0-16 bar inox
21	1	02-05-027	Elbow ¼ " F-F
22	1	02-07-125	3way valve ¼ "
23	1	02-05-042	Nipple 1/4"
24	1	02-07-056	In line filter ¼" finger
25	2	02-07-000	Solenoid valve 1/8"-24V AC
26	7	02-05-008	Elbow lock Ø8 x 1/8"
27	1	02-08-020	Mounting base for controller SUFV
28	8	02-10-157	Bolt M5 x 12
29	8	02-10-331	Nut M5
30	4	02-10-194	Pan head tapping screw DIN7981 3.5X13
31	1	02-07-203	Controller F1-10 (AC) 2station & DP
32	3	02-05-020	Elbow lock Ø8 x 1/4" TM
33	1	02-04-166	Hydraulic valve 1½" BSP

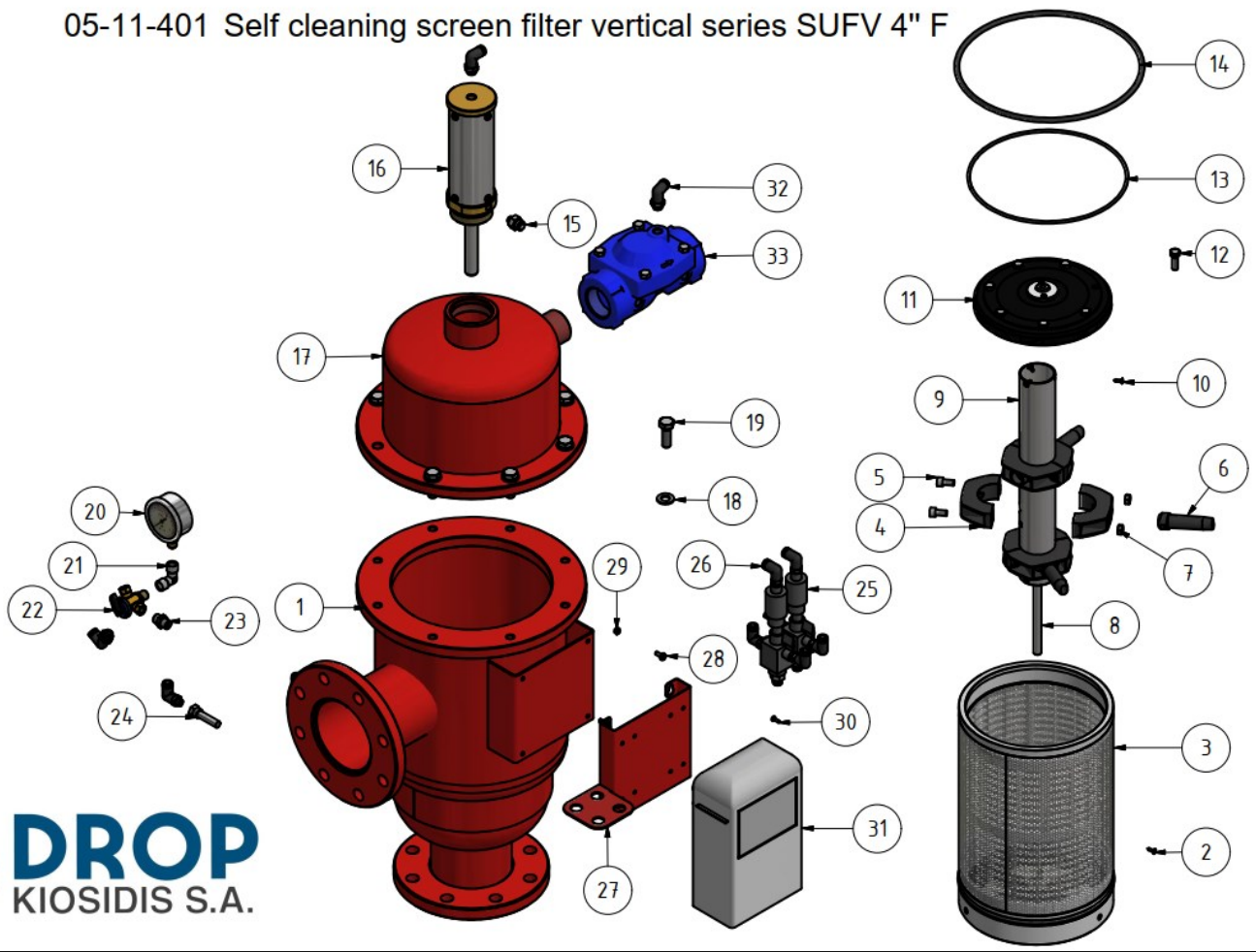
05-11-301 Self cleaning screen filter series SUFV 3"



Part list 05-11-401

ITEM	QTY	PART NUMBER	TITLE
1	1	02-00-815	Filter housing SUFV 4"
2	3	02-10-140	Flat head screw 3.5x13 inox
3	1	02-03-080	Fine screen cartridge SUFV 3", 4" 130 Mesh - 120 micron
4	6	02-03-165	Saddle Ø50.8x19
5	6	02-10-124	Hexagon Socket Head Cap Screw inox304 M8x16 ISO 4762
6	3	02-03-164	Suction nozzle 19x78 SUF - SUFV
7	6	02-10-359	Nut M8 DIN 934 inox
8	1	00-03-302	Shaft of rotation Ø11 inox
9	1	00-02-026	Tube inox 304
10	12	02-10-140	Flat head screw 3.5x13 inox
11	1	02-03-734-01	Plastic wing cover SUF
12	7	02-10-375	Bolt M8x25 DIN 933 inox
13	1	02-02-078	O-ring NBR d.22 x 4
14	1	02-02-077	O-ring d.255 x 7
15	3	02-05-022	Connector lock Ø8 x 1/8" TM
16	1	02-01-202	Hydraulic cylinder complete SUFV 2"- 3"- 4"
17	1	02-01-212	Rotor chamber SUFV 2", 3", 4"
18	8	02-10-250	Washer M12 DIN 125
19	8	02-10-131	Bolt galvanized M12X35 (DIN 933)
20	1	06-02-007	Glycerin pressure gauge 0-16 bar inox
21	1	02-05-027	Elbow ¼ " F-F
22	1	02-07-125	3way valve ¼ "
23	1	02-05-042	Nipple 1/4"
24	1	02-07-056	In line filter ¼" finger
25	2	02-07-000	Solenoid valve 1/8"-24V AC
26	7	02-05-008	Elbow lock Ø8 x 1/8"
27	1	02-08-020	Mounting base for controller SUFV
28	8	02-10-157	Bolt M5 x 12
29	8	02-10-331	Nut M5
30	4	02-10-194	Pan head tapping screw DIN7981 3.5X13
31	1	02-07-203	Controller F1-10 (AC) 2station & DP
32	3	02-05-020	Elbow lock Ø8 x 1/4" TM
33	1	02-04-166	Hydraulic valve 1½" BSP

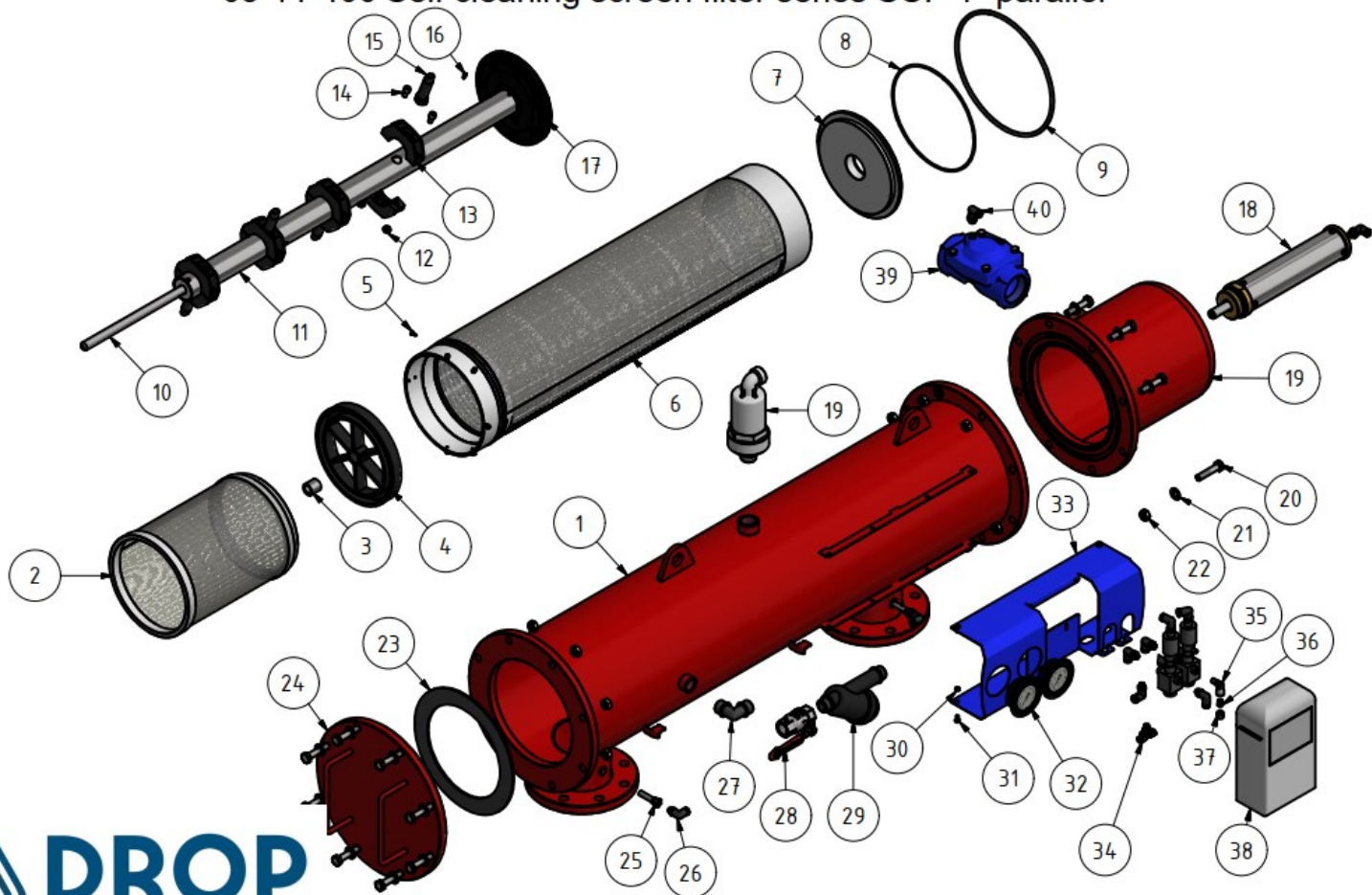
05-11-401 Self cleaning screen filter vertical series SUFV 4" F



Part list 05-11-400

ITEM	QTY	PART NUMBER	TITLE
1	1	02-00-816-03	Filter housing SUF 4"
2	1	02-03-085-2	Coarse screen SUF 4" rev 2.
3	1	00-03-315	Massive d.30 inox
4	1	02-03-096	Washer with 6 ribs SUF 4", 6", 8"
5	8	02-10-140	Flat head screw 3.5x13 inox
6	1	02-03-082-02	Fine screen cartridge SUF 4" 100 u rev. 2
7	6	02-01-300	Rotor chamber diaphragm plastic SUF
8	1	02-02-078	O-ring d.220x4
9	1	02-02-077	O-ring d.255x7
10	1	00-03-314	Bronze shaft d.17
11	1	00-02-026	Tube d.50.8x1.5
12	8	02-10-359	Nut M8 DIN 934 inox
13	8	02-03-165	Saddle d.50.8x19
14	8	02-10-124	Hexagon Socket Head Cap Screw inox304 M8x16 ISO 4762
15	4	02-03-164	Suction nozzle 19x78 SUF-SUFV
16	6	02-10-194	Pan head tapping screw DIN 7981 3.5x13
17	1	02-03-734-01	Rotating turbine SUF (assembly)
18	1	02-01-304	Hydraulic cylinder complete SUF 4", 6"
19	1	02-01-314	Rotor chamber SUF 4", 6", 8"
20	16	02-10-382	Hex head bolt M12x55 DIN 931-1
21	16	02-10-250	Washer M12 DIN 125
22	16	02-10-306	Nut galvanized M12 DIN934
23	1	02-02-059	Gasket 8" DN200
24	1	02-01-070	Lid for filter SUF 4", 6", 8"
25	2	02-07-056	In line filter ¼ " finger
26	8	02-05-008	Elbow lock d.8x 1/8" TM
27	1	02-05-226	Elbow PP lock 3/4" X 3/4" male threaded
28	1	02-04-001	Ball valve 3/4 " female threaded
29	1	06-07-002	Plastic inline small screen filter ¾" 120 mesh
30	4	02-10-331	Nut M5
31	4	02-10-195	Cross recessed raised cheese head screw-inox M5x10 DIN 7985
32	2	06-02-016	Glycerin pressure gauge 0-16 panel mount
33	1	00-01-207	Mounting base for controller SUF
34	1	02-05-014	Tee lock d. 8x 1/8" TM
35	1	02-05-211	Elbow 1/8" M-1/8" F
36	1	02-05-192	Reducing socket M5x 1/8"
37	1	02-05-193	Reducing socket M5 x 1/8" M-F
38	1	02-07-203	Controller F1-10 (AC) 2 station & DP
39	1	02-04-102	2way hydraulic valve Tecnidro 2" TM-TM BSSP
40	1	02-05-020	Elbow lock d.8x ¼ " TM

05-11-400 Self cleaning screen filter series SUF 4" parallel



Part list 05-11-402

ITEM	QTY	PART NUMBER	TITLE
1	2	02-02-086	O-Ring DIN 3771-240mmx8mm N-NBR 70
2	1	02-08-021	Cleaning system base SUFE
3	1	02-03-082	Fine screen cartridge SUF 4"
4	1	02-03-085	Coarse screen SUF 4"
5	1	02-02-528	Sealing disc SUFE 4"-8"
6	3	02-02-529	Spacer SUFE 4"-8"
7	1	02-04-102	2way hydraulic valve Tecnidro 2" TM-TM BSP
8	1	02-05-153	Nipple 2" galvanized
9	1	02-07-249	Motor 0.37 KW 4p 230V 50Hz B5 71B
10	1	02-07-230	Gearbox worm-pinion i=30 40 71B5
11	1	02-01-427	Bearing SUFE
12	2	02-02-071	Shaft wiper Type A 18mm x 26mm x 4.5mm
13	1	02-02-072	O-Ring 52mm x 3.5mm DIN 3771-N-NBR 70
14	1	02-01-409	Nut for drive shaft SUFE
15	1	02-01-408	Nut seat SUFE
16	2	02-01-422	Retaining rings for nut SUF E DIN 471 - 40x1,75
17	2	02-08-041	Support for switch XCKP2118g11 (SUF E)
18	1	02-07-248	Universal joint H DIN 808 type 05HD
19	1	02-01-415	Drive shaft SUFE 18mmX4mm
20	1	02-01-414	Square key SUFE 6mmx6mm
21	2	02-01-425	End distancer SUFE
22	1	02-01-426	End signal disc SUFE
23	8	02-03-165	Saddle Φ 50.8x19
24	4	02-03-164	Suction nozzle 19x78 SUF - SUFV
25	4	02-10-111	Hexagon set screw inox DIN 913 - M6 x 6
26	2	02-07-255	Limit switch XCKP2118G11 (SUF E)
27	1	02-01-429-2	Lid SUF E
28	1	02-01-430-2	Lid for cleaning system base SUF E (r.2)
29	1	00-01-048-2	Bushing SUF E for cleaning mechanism
30	1	02-08-022-01	Cover SUFE v.2
31	1	05-20-002	Air release valve 1"
32	16	02-10-131	Bolt galvanized M12X35 (DIN 933)
33	19	02-10-250	Washer DIN 125 M12
34	1	02-07-112	Control panel SUFE plc Logo 24V DC
35	1	06-02-006	Pressure gauge differential (A20DP-K-15 1/8") 0-1 bar
36	1	02-07-000	Solenoid Valve 1/8" 24VAC
37	4	02-10-202	Washer galvanized M8 DIN125
38	8	02-10-167	Bolt M6x20 DIN 933
39	8	02-10-209	Nut self-locking M6 DIN 985
40	8	02-10-201	Washer M6 DON125
41	4	02-10-341	Cylinder Head Cap Screw DIN912 M6 X 16 inox
42	4	02-10-168	Bolt galvanized M8 x 20 DIN 933
43	1	02-00-816	Filter housing SUF 4"
44	1	06-07-002	Plastic inline small screen filter 3/4" 120 mesh
45	1	02-05-829	Reducing socket 3/4" TF - 1/2" TF (PE)
46	1	02-05-226	Elbow PP lock 3/4" X 3/4" male threaded
47	1	02-04-001	Ball valve 3/4" female threaded
48	3	02-10-143	BOLT M12X25 INOX DIN933

