

pressure switch series PDS/HDS



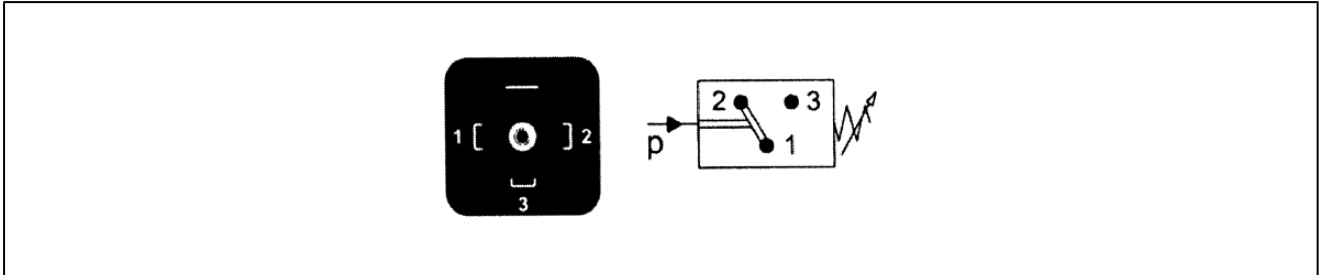
design	diaphragm pressure switch respectively piston pressure switch with change-over contact
connection	type PDS: G1/4" female thread type HDS: G1/4" male thread turnable
materials	body zinc die casting, diaphragm resp. piston seal NBR
application	compressed air, hydraulic oil, water
pressure setting	the handwheel for the adjustment is fixed with a headless screw on the side of the handwheel. After releasing this screw the switching point can be adjusted.
hysteresis range	type PDS: 0,1bar + 5...10% x switching point type HDS: 5bar + 5...10% x switching point
medium temperature	-20...+80°C
ambient temperature	-20...+80°C
electrical connection	connector acc. to EN175301-803-form A
protection class	IP65 according to EN 60529 for a correctly mounted connector (protection against the penetration of dust and jet water)
operations	1 million switching cycles
max. operating cycles	1Hz
bracket	via threaded connection or via 2 through-holes in the housing
mounting position	any
scope of supply	pressure switch including connector acc. to EN175301-803-form A
special version	electric connection M12 (IP67), connector with LED, silicone-free

range of adjustment [bar]	overpressure protection [bar]	pressure transmission	weight [kg]	type
0,2-2	60	diaphragm	0,31	PDS-1-002-M-2-1
0,5-8	60	diaphragm	0,31	PDS-1-008-M-2-1
1-16	60	diaphragm	0,31	PDS-1-016-M-2-1
10-80	350	piston	0,34	HDS-1-080-K-7-1
10-120	350	piston	0,34	HDS-1-120-K-7-1
20-200	350	piston	0,34	HDS-1-200-K-7-1
20-250	350	piston	0,34	HDS-1-250-K-7-1
30-320	350	piston	0,34	HDS-1-320-K-7-1

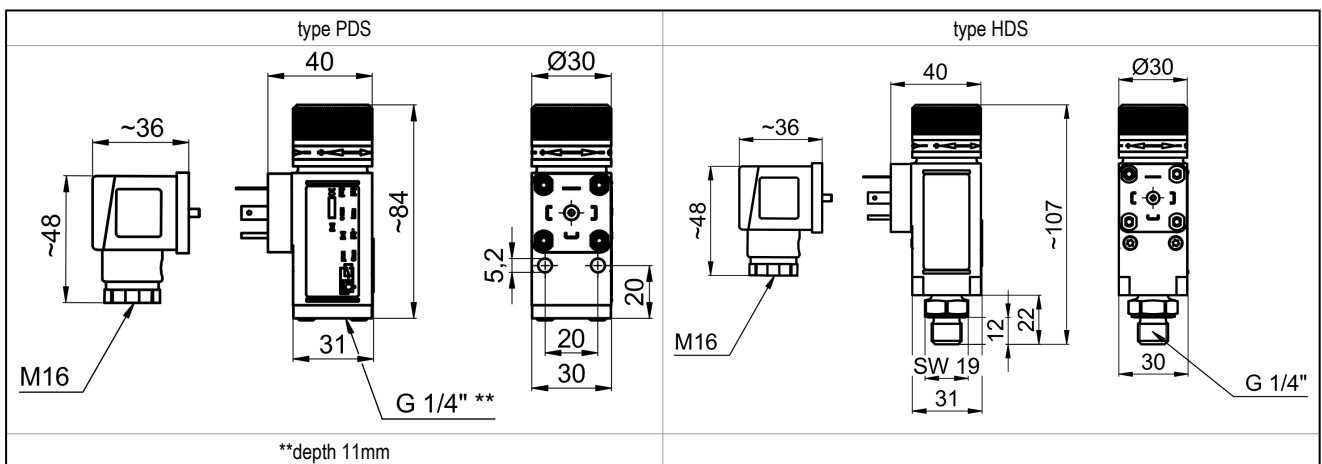
switching capacity

voltage [V]	type PDS		type HDS	
	250AC	24DC	250AC	24DC
resistive load [A]	6	3	6	4
inductive load [A]	1	1	2	1

electrical connection



dimensions



illustrations are non-binding
all designs, configurations, measurements and materials are subject to change without prior notice