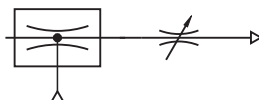


Vacuum driven liquid sprayer

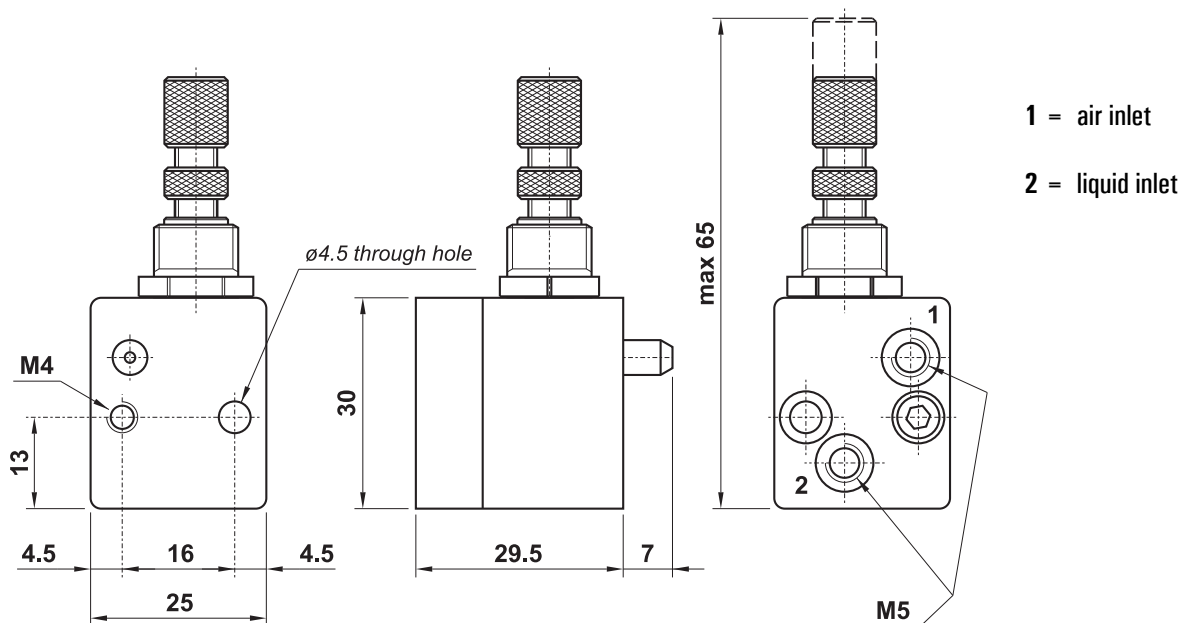


DP 2005 - 03.009.4

vacuum driven liquid sprayer



This valve works on the venturi principle and is primarily used for air driven liquid spraying applications such as conveyor lubrication and sawing machines.



Air consumption with completely open regulator:

4 bar (58 PSI): 20 NI/min (0.02 Cv)

5 bar (72 PSI): 27 NI/min (0.03 Cv)

6 bar (87 PSI): 37 NI/min (0.04 Cv)

Materials

Body: aluminium 11S

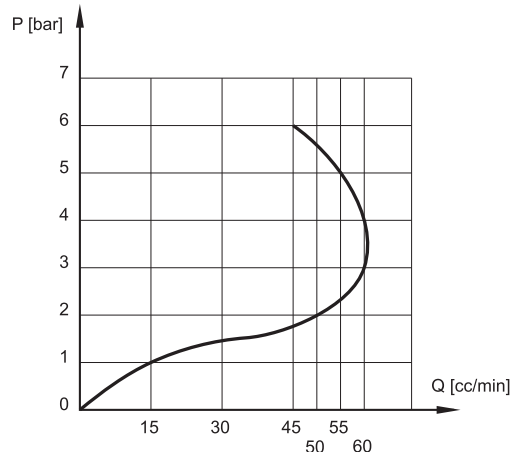
Springs: stainless steel

Seals: NBR

Internal parts: brass OT58

Viscosity of liquid	3°E ... 5°E
Ports	M5
Temperature range	-15+60°C (5-140°F)
Operating pressure	3 ... 8 bar (43.5 ... 116 PSI) 0.3 ... 0.8 MPa
Fluid	50µ filtered, lubricated or non lubricated air

Quantity of liquid in relation to line pressure



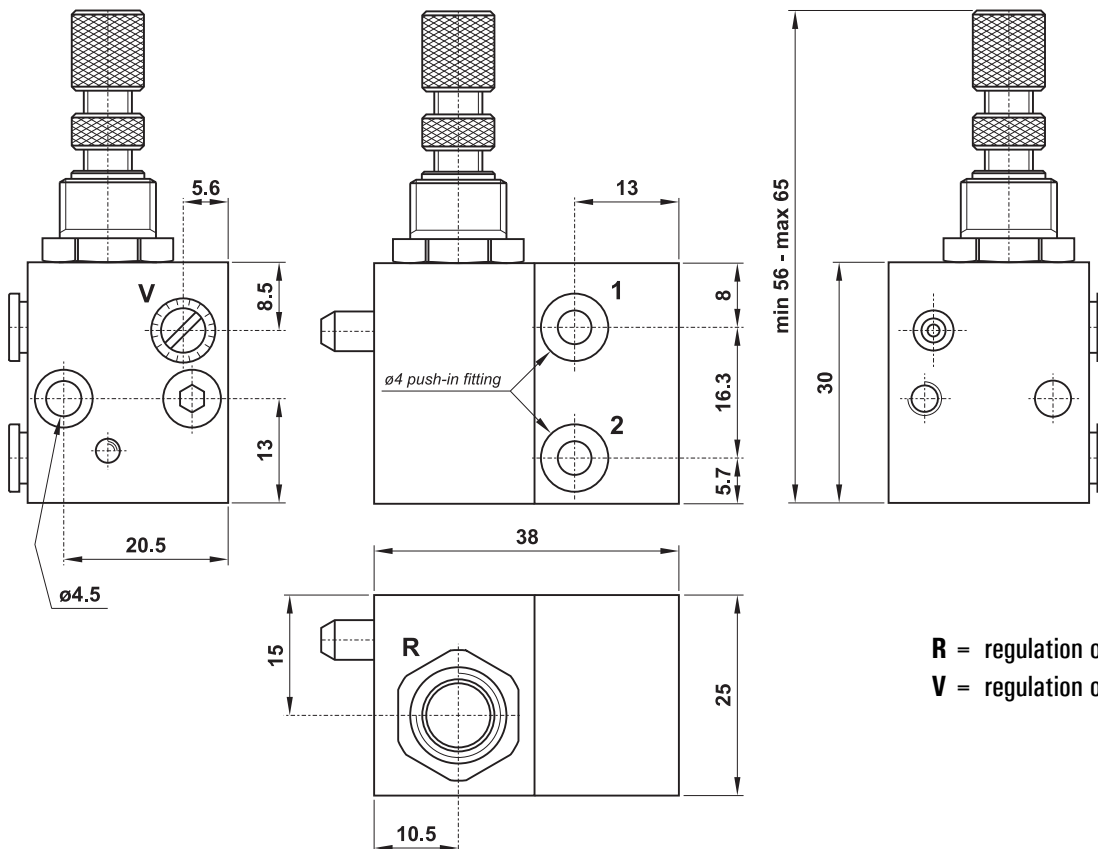
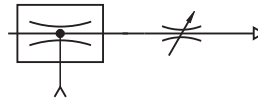
Vacuum driven liquid sprayer



AT.005.4

vacuum driven liquid sprayer with push-in fittings for 5/32" or $\phi 4$ tube

This valve works on the venturi principal and is primarily used for air driven liquid spraying applications such as conveyor lubrication and sawing machines.



R = regulation of sprayed fluid
V = regulation of inlet air

Materials

Body: aluminium 11S

Springs: stainless steel

Seals: NBR

Internal parts: brass OT58

Viscosity of liquid	3°E ... 5°E
Ports	push-in 5/32" or $\phi 4$
Temperature range	-15+60°C (5-140°F)
Working pressure	3 ... 8 bar (43.5 ... 116 PSI) 0.3 ... 0.8 MPa
Fluid	50 μ filtered, lubricated or non lubricated air

Quantity of sprayed liquid in relation to line pressure with screw V totally open

