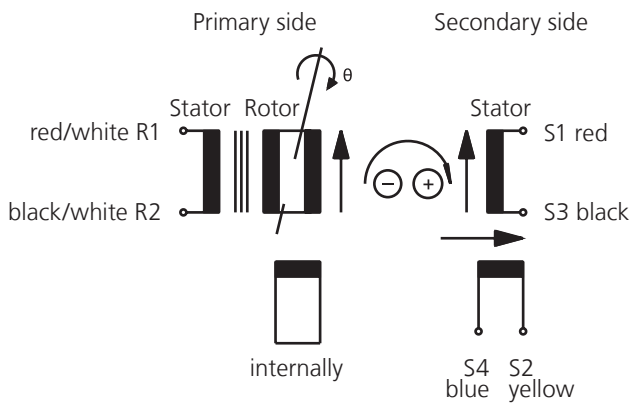


FACTS

- Hollow shaft Ø: max. 12 mm
- Outer Ø: 36.3 mm
- Length: 16 mm



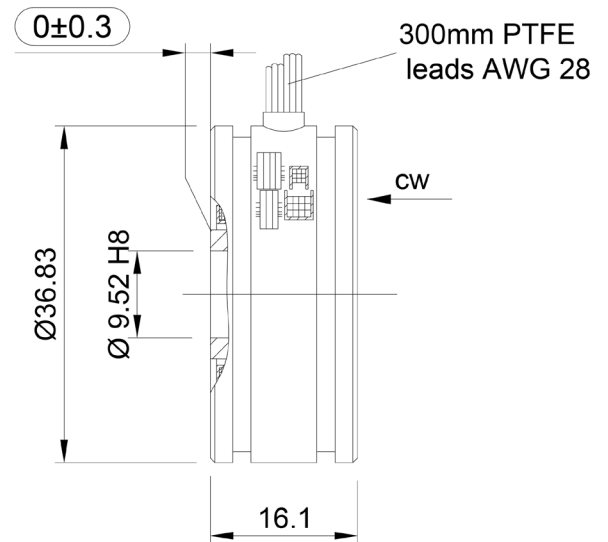
Input: $E(R1-R2) = E \cdot \sin(\cos)$

Output: $E(S1-S3) = TR \cdot E(R1-R2) \cdot \cos \theta$

$E(S2-S4) = TR \cdot E(R1-R2) \cdot \sin \theta$

TR = Transformation ratio

Positive counting direction: Rotor cw as viewed (X →)



SELECTION GUIDE FOR ELECTRICAL DATA

Basic Model	RE 15-1-A15	RE 15-1-K01	RE 15-3-D04	RE 15-4-D04				
Primary Side	R1 - R2							
Pole Pairs	1		3	4				
Transformation ratio	0.5 ± 0.05							
Input voltage	7 V _{rms}	7 V _{rms}	5 V _{rms}	5 V _{rms}	7 V _{rms}	7 V _{rms}	7 V _{rms}	7 V _{rms}
Input current (typ.)	58 mA	36 mA	48 mA	17 mA	50 mA	24 mA	20 mA	10 mA
Input frequency	5 kHz	10 kHz	1 kHz	4.5 kHz	4 kHz	10 kHz	5 kHz	10 kHz
Phase shift (± 3°)	13°	-2°	26°	0°	15°	0°	8°	3°
Null voltage	max. 30 mV							
Accuracy	± 10', ± 4' and ± 6' on request			± 5'	± 7'			
Accuracy ripple	max. 1'			max. 3'				
Operating temperature	- 55 °C ... + 155 °C							
Max. permissible speed	20.000 min ⁻¹							
Hi-pot housing/winding	min. 500 V _{AC}							
Hi-pot winding/winding	min. 250 V _{AC}							
Rotor/Stator	Completely impregnated							