

TECHNICAL DATASHEET

Absolute Encoder AC 36 - BiSS / SSI



- Overall length: 36 mm
- For equipment engineering and industry
- Up to 22 Bit Resolution Singleturn + 12 Bit Multiturn
- Solid or hollow shaft version available
- +100°C operating temperature
- 10,000 rpm (continuous)
- Optical encoder with a true geared multiturn
- Interfaces: SSI, BiSS-B or BiSS-C
- Option Sinewave 1 Vpp
- Bandwidth 500 kHz



APPLICATIONS

The AC 36 is an absolute optical encoder with a true geared multiturn, optical sensing technology and 36 mm diameter. Equipped with a solid-shaft the AC 36 is mechanical compatible with all common incremental encoders. The compact design allows to replace the adequate incremental encoders directly. As a result the technical facilities of absolute encoders can be used for the first time in equipment engineering and also in medical engineering. The mechanical design consists of two ball bearings supported mechanical shaft assembly. The AC 36 complements the **ACURO® -industry** series with small frame sizes and the same performance as 58 mm versions.

BiSS-Interface

Unique within his class the AC 36 provides fully digital position data up to 22 Bit (singleturn) and 12 Bit (multi-turn) over the bidirectional synchronous interface with a variable clock rate up to 10 MHz. This corresponds a singleturn resolution of more than 130 000 measured steps. Backward compatibility is realized through the SSI interface together with 2048 sinewave periods per revolution.

Integrated diagnostic system

The AC 36 is based on latest OptoAsic technology with an advanced diagnostic concept. A continuous plausibility check controls the internal signal processing for each increment. A code check guarantees that the encoder signal represents bit by bit the measured rotation. Also the operating temperature of the encoder can be measured, read out and monitored over warn and alarm bits with 8 bit resolution (1°C). Monitoring and controlling of the operating temperature ensures a maximum lifetime of the LED. Eventual failures are indicated early over warn bits.

**TECHNICAL DATA
mechanical**

Housing diameter	38,1 mm
Shaft diameter	6 mm (Solid shaft) 8 mm (Hub shaft)
Flange (Mounting of housing)	Pilot flange, Tether
Protection class shaft input (EN 60529)	IP50 or IP64
Protection class housing (EN 60529)	IP64
Axial endplay of mounting shaft (Hub shaft)	± 0,5 mm
Radial runout of mating shaft (Hub shaft)	± 0,05 mm

TECHNICAL DATASHEET

Absolute Encoder AC 36 - BiSS / SSI

**TECHNICAL DATA
mechanical (continued)**

Max. speed	max. 10 000 rpm (continuous), max. 12 000 rpm (short term)
Starting torque typ.	≤ 1 Ncm (at 20°C)
Moment of inertia	ca. 2,5 x 10 ⁻⁶ kgm ²
Vibration resistance (DIN EN 60068-2-6)	100 m/s ² (10 ... 2000 Hz)
Shock resistance (DIN EN 60068-2-27)	1000 m/s ² (6 ms)
Operating temperature	-40 °C ... +100 °C
Storage temperature	-25 °C ... +85 °C
Weight	ca. 80 g (ST) / 130 g (MT)
Connection	Cable, axial or radial

**TECHNICAL DATA
electrical**

Supply voltage	DC 5 V -5 %/+10 % DC 7 - 30 V
Current w/o load typ.	100 mA (ST), 150 mA (MT)
Allowable load	max. 30 mA
Resolution singleturn	12 - 22 Bit
Resolution multiturn	12 Bit
Output code	Gray, Binary
Drives	Clock and Data / RS422
Incremental signals	Sinus-Cosinus 1 Vpp
Number of pulses	2.048
3dB limiting frequency	500 kHz
Absolute accuracy (typ.)	±35"
Alarm output	Alarm bit (SSI Option), warning and alarm bit (BiSS)

**ELECTRICAL CONNECTIONS
Cable**

Signal	Colour cable
5 / 7-30 V (U _B)	white
0 V (U _N)	brown
Clock	yellow
$\overline{\text{Clock}}$	green
Data	pink
$\overline{\text{Data}}$	grey
A	white/green ¹
$\overline{\text{A}}$	brown/green ¹
B	red/blue ¹
$\overline{\text{B}}$	grey/pink ¹
5 V Sensor	violet ¹
0 V Sensor	black ¹

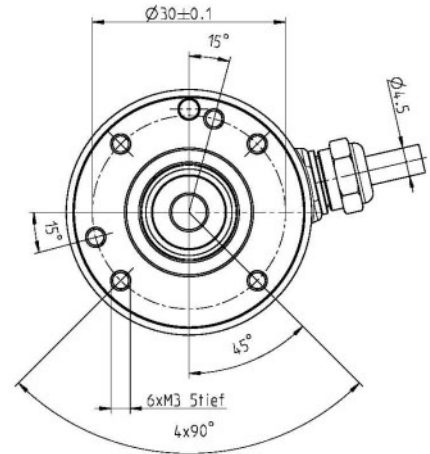
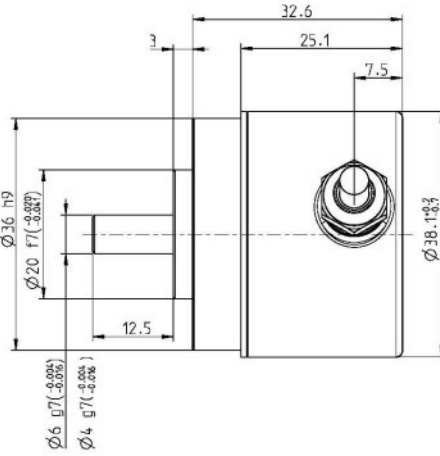
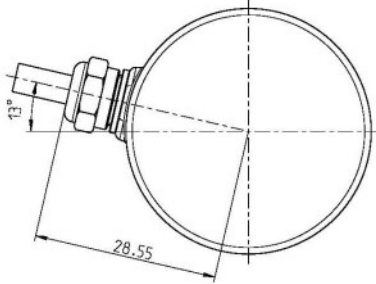
¹ only with "SC", "SD", "BC", "BV"

TECHNICAL DATASHEET

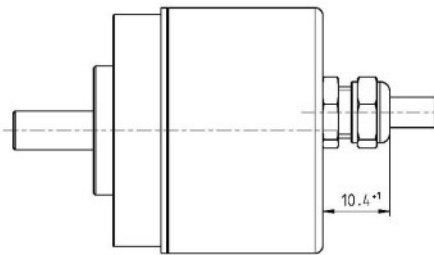
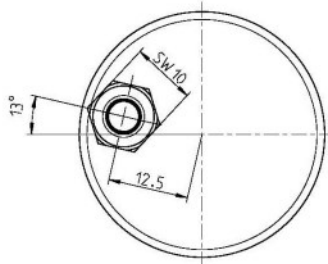
Absolute Encoder AC 36 - BiSS / SSI

DIMENSIONED DRAWINGS Pilot flange „R”

Connection: cable radial "B"



Connection cable axial "A"



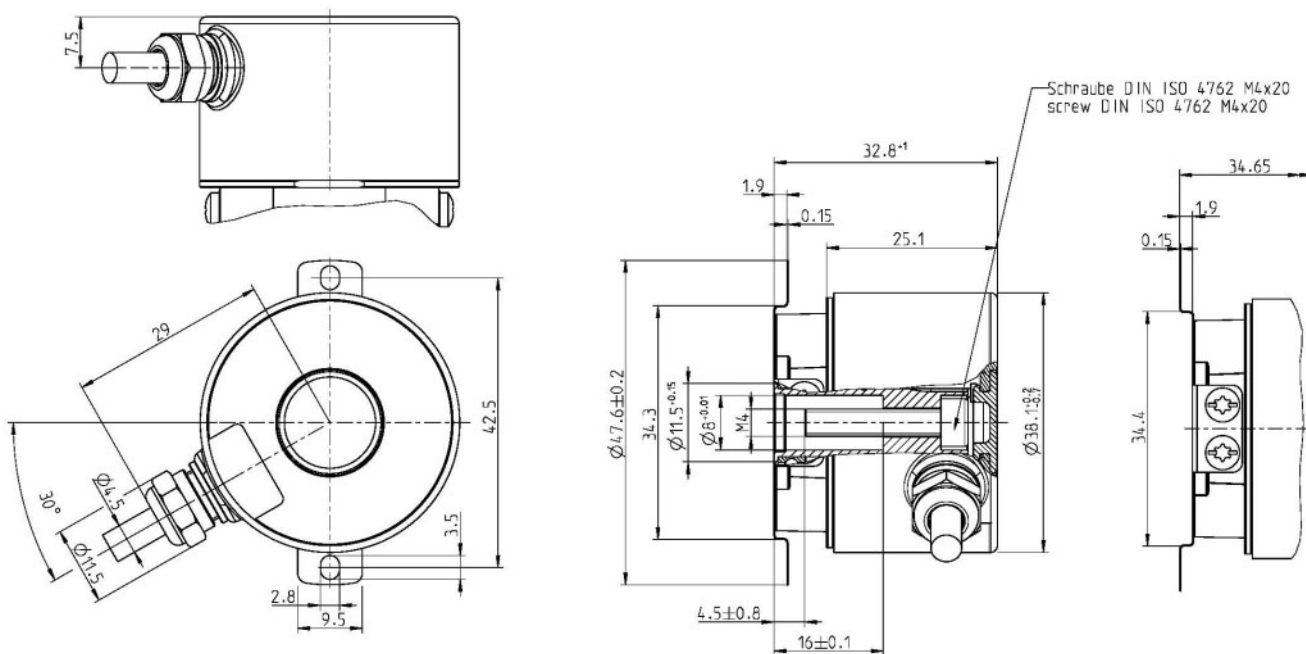
Dimensions in mm

TECHNICAL DATASHEET

Absolute Encoder AC 36 - BiSS / SSI

DIMENSIONED DRAWINGS
(continued)
Hub shaft

Connection: cable radial "B"

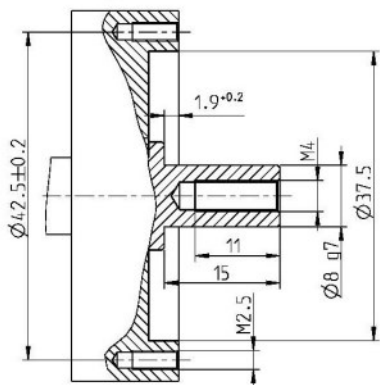


Spring tether "F"

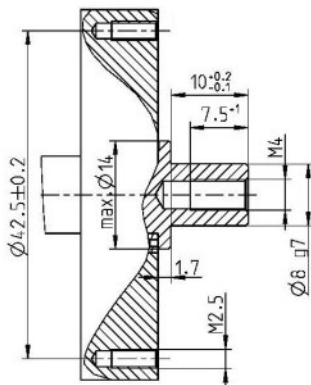
Spring tether "U"

Anschlussmaße kundenseitig / required mating dimensions

Flansch/flange "F"



Flansch/flange "U"



Dimensions in mm

TECHNICAL DATASHEET

Absolute Encoder AC 36 - BiSS / SSI

ORDERING INFORMATION

Type	Resolution	Supply voltage	Flange, Protection, Shaft	Interface	Connection
<input type="checkbox"/>	<input type="checkbox"/>	<input type="checkbox"/>	<input type="checkbox"/>	<input type="checkbox"/>	<input type="checkbox"/>
AC36	0012 12 Bit ST 0013 13 Bit ST 0014 14 Bit ST 0017 17 Bit ST 0019 19 Bit ST 0022 22 Bit ST 1212 12 Bit MT + 12 Bit ST 1213 12 Bit MT + 13 Bit ST 1214 12 Bit MT + 14 Bit ST 1217 12 Bit MT + 17 Bit ST 1219 12 Bit MT + 19 Bit ST 1222 12 Bit MT + 22 Bit ST	A DC 5 V E DC 10 - 30 V	R.41 Pilot flange, IP64, 6 mm F.1R Spring tether, IP50 ¹ , 8mm hub shaft U.1R Spring tether, IP50 ¹ , 8mm hub shaft	BI BiSS-B BC BiSS-B (+SinCos 1Vpp) BE BiSS-C BV BiSS-C (+SinCos 1Vpp) SB SSI Binary SD SSI Binary (+SinCos 1Vpp) SG SSI Gray SC SSI Gray (+SinCos 1Vpp)	A Cable, axial ² B Cable, radial

¹ Protection class IP64 on request.

² Cable axial with hub shaft on request.

ORDERING INFORMATION

Selection of cable length

Versions with cable outlet (connection A, B, E or F) are available with various lengths of cable. To order your desired cable length, please add the respective code to the end of your ordering code. For variants with connector on cable end please add cable length code in between. Further cable lengths on request.

Code	Cable length
Without code	1,5m
-D0	3 m
-F0	5 m
-K0	10 m
-P0	15 m
-U0	20 m
-V0	25 m

Example:

Cable 3 m length: ... B - D0

Cable 3 m length and M23 connector, cw: ... B - D0 - I

TECHNICAL DATASHEET

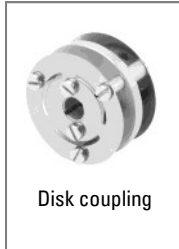
Absolute Encoder AC 36 - BiSS / SSI

Accessories

FLEXIBLE COUPLINGS



Bellows coupling



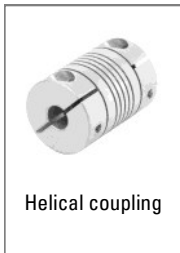
Disk coupling



Isolated disk coupling

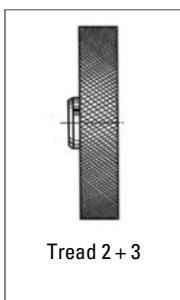


Plastic coupling



Helical coupling

MEASURING WHEELS



Tread 2 + 3

	Hub diameter d1/d2	Ordering code
Bellows coupling	6 mm / 6 mm	3 520 068
Disk coupling	6 mm / 6 mm	0 070 663
Isolated disk coupling	6 mm / 6 mm	3 520 081
Isolated disk coupling	6 mm / 10 mm	3 520 082
Plastic coupling	5 mm / 6 mm	3 520 033
Plastic coupling	6 mm / 6 mm	1 761 026
Helical coupling (19/28)	5 mm / 6 mm	3 520 035
Helical coupling (19/28)	6 mm / 6 mm	0 070 653
Helical coupling (25/32)	6 mm / 9,53 mm	3 520 052
Helical coupling (25/32)	6 mm / 10 mm	3 520 066

Tread 2 B
 with glued-on rubber profile B = low-wear rubber surface with good grip (white)
 Applications such as paper and cardboard, measuring cables, nongreasy metals, fleece, undressed or surface-treated wood, soft and hard plastics

Material	Bore diameter (mm) fitting to encoder shaft	Circumference	Tread	Width of bearing surface	Ordering code
Aluminum	6 mm	0.2 m	2 B	12 mm	0 601 048