

SERIES 35-70

120 VAC Microprocessor-Based Direct Spark Ignition Control

F-35-70
March 2020

FEATURES

- Safe start with DETECT-A-FLAME® flame sensing technology
- Custom pre-purge and inter-purge timings
- Single or three trials for ignition
- System diagnostic LED
- Flame current test points
- Local or remote flame sensing
- Automatic reset
- Alarm output (normally closed contact)
- Open board, potted or enclosure
- Polarity insensitive flame sensing



APPLICATIONS

- Commercial cooking
- Crop dryers
- Infrared burners
- Construction and agriculture heaters
- Other gas-fired appliances

DESCRIPTION

The 35-70 is a 120 VAC direct spark ignition (DSI) control designed for use in all types of gas-fired appliances. The control uses a microprocessor circuit to provide precise, repeatable timing and operating sequences. On-board diagnostics with LED output makes troubleshooting easy and ensures safe and efficient operation.

Export Information (USA)

Jurisdiction: EAR
ECCN: EAR99

Agency Certifications



Recognized under the UL component program, UL 372. Software certified to ANSI/UL 1998. UL File MH8817



Design Certified to ANSI Z21.20, CAN/CSA C22.2 No. 199-M89



FM Approved as both an ignition device and a flame safeguard. Restricted to single try models without 1 hour reset. TFI time must be 15 seconds or less.

SPECIFICATIONS

Input Power	102 to 138 VAC, 50/60 Hz
Input Current	350 mA @120 VAC with gas valve relay energized (control only)
Gas Valve	1.5A max @ 120 VAC
Operating Temperature	-40°F to +160°F (-40°C to +71°C)
Storage Temperature	-40°F to +185°F (-40°C to +85°C)
Flame Sensitivity	1.0 µA minimum
Flame Failure Response	0.8 seconds maximum
Flame Detector Self-check Rate	Once per second minimum
Gas Types	Natural, LP, or manufactured
Spark Rate:	
Remote	50/60 sparks/sec
Local	25/30 sparks/sec
Size (LxWxH) with enclosure	5.11 x 3.55 x 2.00 inches (12.98 x 9.02 x 5.08 cm)
Moisture Resistance	Conformal coated to operate non-condensing to 95% R.H. Module should not be exposed to water
Ingress Protection	Not rated, protection provided by appliance in which it is installed
Tries for Ignition	One or three try versions available
Trial for Ignition Periods	4, 7, 10, 15 seconds available
Pre-purge and Inter-purge Timings	0, 5, 15 or 30 seconds available

SEQUENCE OF OPERATION / FLAME RECOVERY / SAFETY LOCKOUT

Start Up - Heat Mode

When a call for heat is received from the thermostat supplying 120VAC to L1, the control will reset, perform a self-check routine, flash the diagnostic LED and begin a pre-purge delay. Following the pre-purge period, the gas valve is energized and sparking commences for the Trial For Ignition (TFI) period.

When flame is detected during the TFI, the sparking process is terminated and the gas valve remains energized. The thermostat and burner flame are constantly monitored to assure proper system operation. When the thermostat is satisfied and the demand for heat ends, the gas valve is immediately de-energized.

Failure to Light - Lockout

SINGLE TRIAL MODEL

Should the burner fail to light, or a flame is not detected during the TFI period, the gas valve will de-energize and the control will go into lockout. The LED will indicate the fault code for ignition lockout.

MULTI TRIAL MODEL

Should the burner fail to light or the flame is not detected during the TFI period, the gas valve will de-energize. The control will then go through an inter-purge delay before an additional ignition attempt. The control attempts two additional ignition trials before de-energizing the gas valve and entering lockout. The LED will indicate the fault code for ignition lockout.

FLAME FAILURE - RE-IGNITION MODE

If the established flame signal is lost while the burner is operating, the control will respond within 0.8 seconds by immediately energizing the H.V. spark for the TFI period in an attempt to relight the flame. If the burner does not light within the TFI, the gas valve will immediately de-energize and single try models will enter lockout. On multi-try models, a new TFI sequence will begin after an inter-purge delay. Multi-try models perform two additional attempts to light the burner before de-energizing the gas valve and entering lockout. If the burner relights, normal operation resumes.

FLAME FAILURE-RECYCLE MODE

With the "Recycle After Loss of Flame" option, upon loss of flame, the gas valve is de-energized and the control proceeds to inter-purge before attempting to relight the flame. Multi-try models permit three tries for ignition including inter-purges. If the burner relights, normal operation resumes. If the burner does not relight, the control will enter lockout.


Lockout Recovery


Recovery from lockout requires a manual reset by either resetting the thermostat, or removing 120 VAC for a period of 5 seconds. On models with automatic reset, if the thermostat is still calling for heat after one hour, then the control will automatically reset and attempt to ignite the burner.


MOUNTING AND WIRING


The Series 35-70 control is not position sensitive and can be mounted vertically or horizontally. The control may be mounted on any surface and fastened with #6 sheet metal screws. Secure the control in an area that will experience a minimum of vibration and remain below the maximum ambient temperature of 160°F (71°C).

All connections should be made with UL Approved, 105°C rated, 18 gauge, stranded, .054" thick insulated wire. Refer to the appropriate wiring diagram when connecting the 35-70 to other components in the system.

 CAUTION	All wiring must be performed in accordance with both local and national electrical codes.
---	---

 CAUTION	Label all wires prior to disconnection when servicing controls. Wiring errors may cause improper and dangerous operation. A functional checkout of a replacement control should always be performed.
---	--

 WARNING	This product uses voltages of shock hazard potential. Wiring and initial operation must be performed by a qualified service technician.
--	---

 WARNING	Operation outside specifications could result in failure of the Fenwal Controls product and other equipment with potential for injury to people and property.
---	---

Terminal Designations			
Terminal	Description	Multi-Pin Connector P/N: TE 1-644615-1	Quick Connect (inch)
NC	Alarm	11	1/4"
V1	Valve Power	10	3/16"
L2	120 VAC (Neutral)	8	3/16"
V2	Valve Neutral	7	3/16"
L1	120 VAC Input (Hot)	6	1/4"
B. GND	Burner Ground	2	3/16"
S1	Remote Flame Sensor	1	1/4"
FC+, FC-	Flame Sense Test Points	2 Pin Header (TE P/N: 640383-2, Molex P/N: 26-60-2020)	

Wiring Diagrams - 35-70

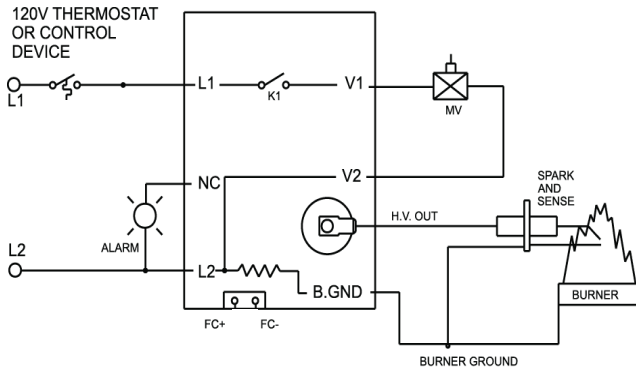


Figure 1. Local Sense

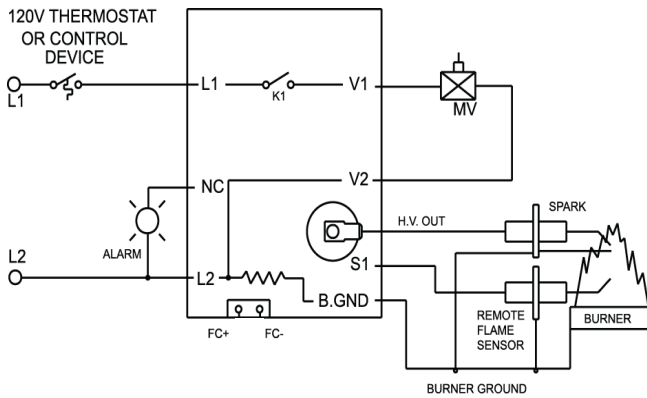


Figure 2. Remote Sense

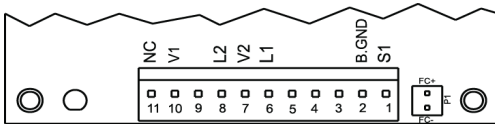


Figure 3. Multi-Pin Layout

TROUBLESHOOTING

Troubleshooting Guide

Symptom	Recommended Actions
1. Control does not start	A. Miswired B. No 120VAC at L1 C. Fuse or circuit breaker fault D. Faulty control, check LED for fault codes
2. Thermostat on - no spark	A. Miswired B. Faulty thermostat, no voltage at terminal L1 C. Faulty control, check LED for fault codes
3. Valve on - no spark during TFI	A. Shorted electrode - establish 1/8-inch gap B. Check high voltage cable C. Miswired
4. Spark on - valve off	A. Valve coil open B. Valve wire disconnected C. Faulty control, check voltage at gas valve terminal V1
5. Flame okay during TFI - no flame sense after TFI	A. Check electrode position B. Check high voltage wire C. Poor ground at burner D. Poor flame, check flame current

Fault Conditions

LED Indication	Fault Mode
Steady On	Internal Control Failure
2 Flashes	Flame without call for heat
3 Flashes	Ignition Lockout

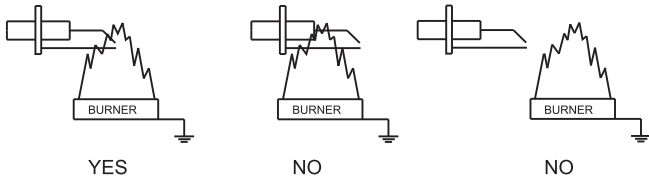
Note: During a fault condition, the LED will flash on for 1/4 second and off for 1/4 second as needed to indicate the fault code. The code will repeat every 3 seconds. Removing power from the control will clear the fault code.

Internal Control Failure

If the control detects a software or hardware error, all outputs are turned off and the LED displays a Steady On condition. If this condition persists after an attempt to restart, then the control must be replaced.

Proper Electrode Location

Proper location of electrode assembly is important for optimum system performance. The electrode assembly should be located so that the tips are inside the flame envelope and about 1/2-inch (1.2 cm) above the base of the flame as shown:



Notes:

- Ceramic insulators must not be in or close to the flame.
- Electrode assemblies must not be adjusted or disassembled. Electrodes are NOT field adjustable.
- Electrodes should have a gap spacing of 0.125 ± 0.031 in (3.12 ± 0.81 mm), unless otherwise specified by the appliance manufacturer. If spacing is not correct, the assembly must be replaced.
- Exceeding temperature limits can cause nuisance lockouts and premature electrode failure.
- Electrodes must be located where they are not exposed during normal operation.

Flame Current Measurement

Flame current is the current that passes through the flame from sensor to ground. To measure flame current, connect a True RMS or analog DC micro-ammeter to the FC+ and FC- terminals. Readings should be $1.0 \mu\text{A}$ DC or higher. If the meter reads negative or below "0" on scale, meter leads are reversed. Re-connect leads with proper polarity.

Alternately, a Digital Voltmeter may be used to measure DC voltage between FC+ and FC- terminals. Each micro-amp of flame current produces 1.0 VDC. For example, 2.6 VDC equates to $2.6 \mu\text{A}$. A good burner ground that matches the control ground is critical for reliable flame sensing.

DIMENSIONS

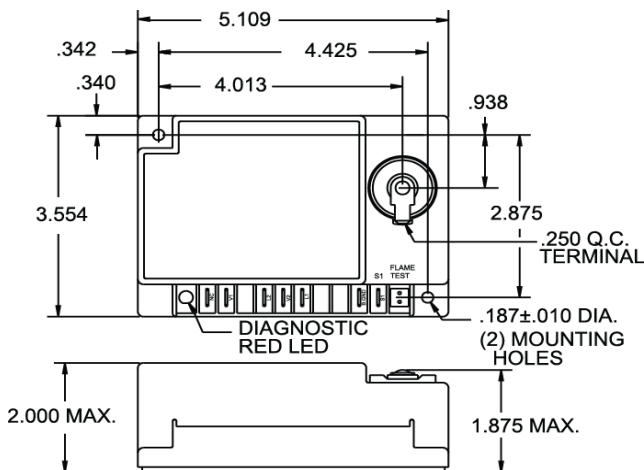


Figure 4. Enclosure

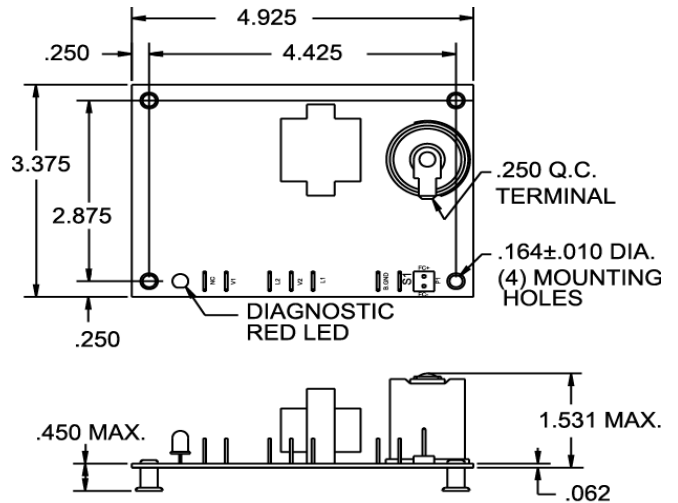


Figure 6. Integral Standoff

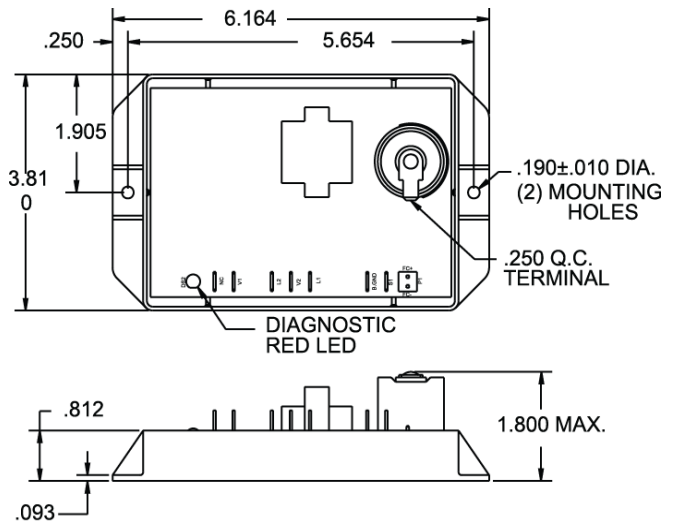


Figure 5. Potted

Note: All dimensions are in inches

PART NUMBER CONFIGURATION

SERIES 35-705 X 0 X - X X X

Configuration and Wiring options

2 = Potted	Multi-Pin Connector
3 = Enclosure	Multi-Pin Connector
4 = Integral Standoffs	Multi-Pin Connector
5 = Enclosure	Quick Connect
6 = Integral Standoffs	Quick Connect
7 = Potted	Quick Connect
8 = Aftermarket Kit	
9 = Special Configuration	

An 8 or 9 in this location (i.e. 35-70 5[901]-113) indicates a special configuration. 9XX is a sequentially assigned part number and does not follow the standard part numbering configuration.

Consult Fenwal Controls for operating characteristics of this control.

Trial for Ignition

1 = 4 Seconds
3 = 7 Seconds
5 = 10 Seconds
7 = 15 Seconds

Inter-Purge

0 = None (Single Try Only)
1 = 15 Seconds
2 = 30 Seconds

Pre-Purge

0 = None
1 = 15 Seconds
2 = 30 Seconds
5 = 5 Seconds

Tries for Ignition, Flame Sense Method and Reset Method

0 = 1 try, local sense	Thermostat / power off reset
1 = 1 try, remote sense	Thermostat / power off reset
2 = 1 try, local sense	Automatic reset
3 = 1 try, remote sense	Automatic reset
5 = 3 try, local sense	Thermostat / power off reset
6 = 3 try, remote sense	Thermostat / power off reset
7 = 3 try, local sense	Automatic reset
8 = 3 try, remote sense	Automatic reset

DETECT-A-FLAME is a registered trademark of Kidde-Fenwal, Inc., or its parents, subsidiaries, or affiliates.



Fenwal Controls, Kidde-Fenwal Inc.
 400 Main Street
 Ashland, MA 01721
 Tel: 800-FENWAL-1
 Fax: 508-881-7619
fenwalcontrols.com

This literature is provided for informational purposes only. KIDDE-FENWAL, INC. assumes no responsibility for the product's suitability for a particular application. The product must be properly applied to work correctly. If you need more information on this product, or if you have a particular problem or question, contact KIDDE-FENWAL, INC., Ashland, MA 01721.