

PRESSURE REDUCING VALVES WITH PISTON EOLO PN 20
NICKEL-PLATED WITHOUT GAUGE CONNECTION
CONNECTIONS: FEMALE-FEMALE



HYDRAULIC FEATURES

The EOLO model pressure reducing valve is an automatic valve that reduces and stabilizes the pressure of a fluid in a water distribution conduit according to a preset value. Its reduced size, silent operation and internal self-cleaning seat render this valve ideal for use in small systems such as apartments and single-family households (according to EN 806-2 and EN 805) or as a safety device in boilers or automatic beverage distributors. The nickel-plated surface, besides giving it a pleasing appearance, protects against corrosion and calcareous incrustation. Given the valve's elevated maximum allowable working pressure, it may be connected directly to main distribution networks, where the water pressure reaches values up to 20 bar. The internal piston structure guarantees rigidity, strength and an enhanced regulation precision thanks to the compensated seat. The O-rings, in anti stick-slip Perox EPDM elastomer with a low friction coefficient, are durable and require only limited maintenance interventions. The internal finish of the body and the broader dimensions of the passage allow an elevated flow even with a small water draw. This product adheres to the standards set forth by the European health authorities for the transport of alimentary fluids and potable water.

TECHNICAL FEATURES

Pressure:	
Maximum allowable working pressure (PN)	20 bar
Outlet settings (Ps)	from 1 to 7 bar
Ps value set during testing	3 bar
Outlet Ps set tolerance on varying inlet pressure	± 10 %
Temperature:	
maximum working temperature (TS)	0°C (excluding ice) 80°C
Compatible fluids:	
water	
glycolate solutions	glycol 50%
compressed air	
Threading:	
Pipeline connection	Threads according to ISO 228/1
Tests according to	
Tests according to	EN 1567
Verification of the deviation from the pre-set pressure (Ps) according to EN 1567 § 8.3.2	
Verification of the setpoint range according to EN 1567 § 8.3.1	
Acoustic group	I - Lmax (dBA) < 20

DESIGN

Brass Body EN 12165 - CW617N
Brass bonnet EN 12165 - CW617N
Brass piston EN 12164 - CW614N
Other components in turned brass EN 12164 - CW614N
O-ring washers static seal and seat gaskets in NBR RUBBER
O-ring washers dynamic seal in EPDM RUBBER (peroxide-cured)
Setting spring in SM GALVANIZED STEEL - EN 10270-1
Nickel plating ELECTRODEPOSITED COATING EN 12540 (Cu/Ni5s)

PRODUCT CODES

0202.015 female/female nickel-plated 1/2"

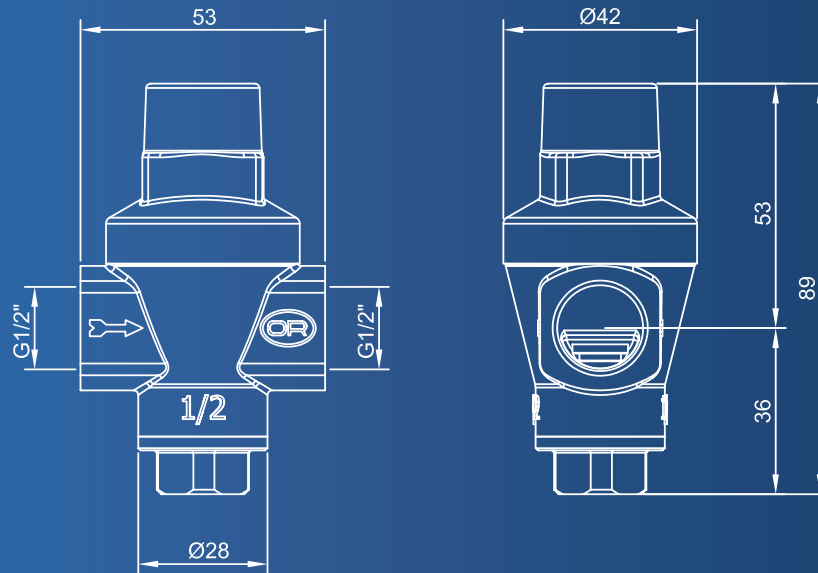


OFFICINE RIGAMONTI S.p.A.
via Circonvallazione, 9
13018 Valduggia (VC), ITALY
TEL +39 0163.48165
FAX +39 0163.47254
www.officinerigamonti.it
export@officinerigamonti.it

0202 • 1/2"

PRESSURE REDUCING VALVES WITH PISTON EOLO PN 20
NICKEL-PLATED WITHOUT GAUGE CONNECTION

CONNECTIONS: FEMALE-FEMALE



PRESSURE REDUCING VALVE 0202 1/2"

