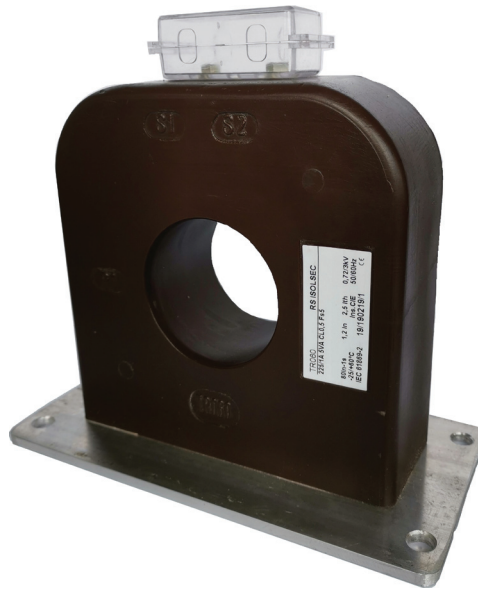


CABLE PRIMARY CURRENT TRANSFORMERS

TRO60



TRO60

- **Indoor**
- **Primary current from 150 to 1000 A**
- **Measurement and protection**

Current transformers moulded in self-extinguishing resin for the measurement of AC currents from 150 to 1000A.

This range has high performance characteristics, and demonstrates an excellent resistance to shocks, vibrations, salt and moisture.

Technical data

Maximum operating voltage	0.72 kV
Power-frequency withstand voltage	3 kV
Primary current I_{pn}	150 to 1000 A
Secondary current I_{sn}	5 or 1 A
Frequency	50 or 60 Hz
Rated output	5 - 10 - 20 - 30 VA
Accuracy class	0.5 - 1 - 3
Security factor	5 to 10
Continuous thermal current	1.2 I_{pn}
Short-time thermal current I_{th}	80 I_{pn} .1s
Dynamic current I_{dyn}	2.5 I_{th}
Insulation class	E
Ambient temperature	-25 °C to + 40 °C
Standards	IEC - IEEE - CSA - AS - BS

Other characteristics on request

Highest voltage for equipment	Up to 1200 V
Power-frequency withstand voltage	Up to 6 kV
Frequency	1 kHz

Accessories / Options

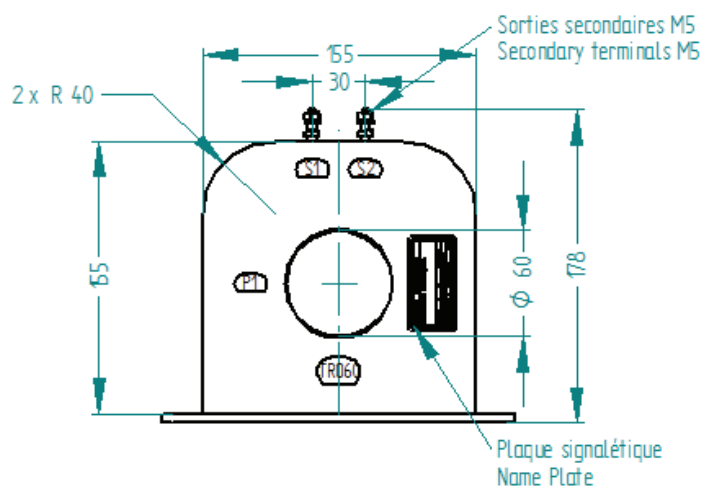
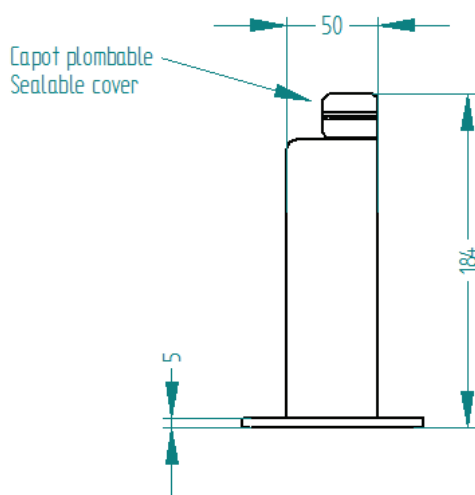
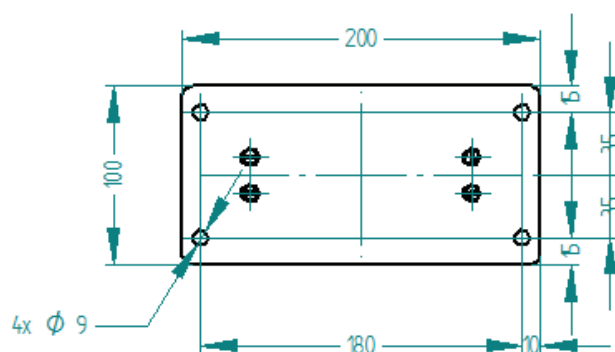
Sealable terminal cover (IP20)	
Voltage limiter	90-200-450-600-1500V see datasheet M2MA index 17

CABLE PRIMARY CURRENT TRANSFORMERS - TRO60 SERIES

Selection table

Ip A	Rated output Max. en VA		
	cl 3	cl 1	cl 0,5
200	15	10	5
300	15	10	5
500	20	15	10
1000	40	30	20

Other ratios and performances on request.



Max tightening torque : M5 = 2.5 N.m