

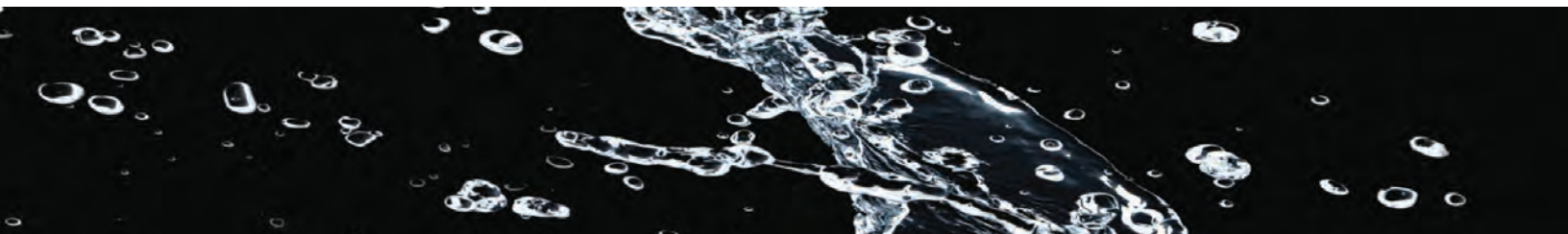


SANI-MATIC®



Sanitary Components
for the Food & Beverage Industry

20
22





SANI-MATIC®

Cleaning Confidence

A Commitment to Clean

Repeatable results you can count on every time you clean your process parts, lines and equipment. We call it Cleaning Confidence.

Sani-Matic, Inc. designs and manufactures automated sanitary process cleaning equipment and components. We offer Clean-Out-of-Place (COP) parts washers, cabinet washers, tunnel washers, Clean-In-Place (CIP) systems, spray balls, strainers and more that provide a complete clean – every time. And, we don't stop there. We also provide expert services, including our Tactical Solutions system optimization and preventive maintenance programs.

We are committed to helping our customers attain sanitary cleaning results for a diverse range of industries, including food, beverage, pharmaceutical, biotech, nutraceutical and personal care.

Commit to a change in your sanitary process cleaning approach with Sani-Matic, and we will commit to improving your operations so you can grow your business.

Food & Beverage

Bio-Pharm



Components fabrication and distribution comes out of our primary manufacturing facility in Sun Prairie, WI, USA

Sanitary Components

Services



Sanitary Components

Angle-Line Strainers	6
Angle-Line Strainer Complete Assemblies	8
Angle-Line Strainer Cv Values	10
High-Capacity Angle-Line Strainer Complete Assemblies	12
Multi-Angle-Line Strainer Complete Assemblies	14
Multi-Angle-Line Strainer Replacement Parts	16
Angle-Line Strainer Replacement Parts	17
Angle-Line Strainer Accessories	22
Magnetic Trap Strainers	23
Magnetic Trap Strainer Replacement Parts	24
Straight-Line Strainers	25
Straight-Line Strainer Complete Assemblies	27
Straight-Line Strainer Cv Values	28
Straight-Line Strainer Replacement Parts	29
Straight-Line Strainer Accessories	33
SaniClean™ Strainers	34
SaniClean™ Strainer Replacement Parts	35
SaniClean™ Strainer Accessories	37
Tee-Line Strainers	39
Tee-Line Strainer Complete Assemblies	41
Tee-Line Strainer Cv Values	43
Tee-Line Strainer Replacement Parts	44
Y-Strainers	46
Y-Strainer Complete Assemblies	48
Y-Strainer Cv Values	50
Y-Strainer Replacement Parts	51
Y-Strainer Accessories	53
Basket Strainers	54
Basket Strainer Complete Assemblies	56
Basket Strainer Replacement Parts	58
Basket Strainer Accessories	60
Multi-Basket Strainer Complete Assemblies	61
Multi-Basket Strainer Replacement Parts	62
Spray Devices	63
Static Spray Balls	65
Rotary Spray Devices	71
Jet Spray Devices	81
CIPGuard®	87
Additional Rotary & Jet Spray Devices	88

*Minimum order value applies. Please call for the latest price information.
Specifications are subject to change.*

Supply Tubes 91
 Single Ball Tee Supply Tubes 93
 Double Ball Tee Supply Tubes 95

Hygienic Spray Deflectors 96
 Hygienic Spray Deflector Complete Assemblies 97
 Hygienic Spray Deflector Replacement Parts 97

VL-3A Sanitary Sight Glass 98
 VL-3A Sight Glass Assemblies 99
 VL-3A Sight Glass Replacement Parts 100

VessaLite™ 102
 VessaLite™ Full Assemblies 104
 VessaLite™ Replacement Parts 104

Washdown Equipment 105
 Cleaning Stations - City Water 106
 Cleaning Stations - Boosted Pressure Water 108
 Converyor Belt Cleaning 110
 Cleaning Station Accessories 111

Tanker Spray Washers 112
 TS-4 and TS-5 Complete Assemblies 114
 Replacement Parts 115
 Equipment for Drop-In Handling 115

System Accessories 116
 COP System Accessories 117
 COP Parts Washer Accessories 119
 COP Parts Baskets 120
 CIP System Accessories 122
 CIP & COP System Accessories 124

Documentation Packages 126

Product Certifications / Standards 127

*Minimum order value applies. Please call for the latest price information.
 Specifications are subject to change.*

Angle-Line Strainers

● Increase Uptime by Reducing Cleaning Time

Angle-Line Strainers allow operators to clean the strainer element without removing the strainer body from the process line, which significantly increases production uptime.

Sani-Matic offers several Angle-Line Strainer configurations, including the standard 4" Body Size Angle-Line Strainers, High-Capacity Angle-Line Strainers (6" Body Size) for higher volume process straining, Magnetic Trap Strainers for ferromagnetic capture, and strainers with sight-glass and sample / drain ports.

Angle-Line Strainers allow for both standard (end-inlet) or reverse (side-inlet) process flow by changing the strainer element frame.

With various configurations and a wide variety of perforated and wedgewire straining elements, versatile Angle-Line Strainers provide product integrity and process equipment protection.

Multi-Angle-Line Strainers can be used to minimize downtime for heavy straining requirements, where one strainer can be serviced and cleaned while the other is valved open and operational. In addition, both strainers can be used simultaneously for applications such as high viscosity products where larger pressure drop across a single strainer is a concern.



Angle-Line Strainers are 3-A Certified when using perforated elements.



Food & Beverage

Bio-Pharm

Sanitary Components

Services

QUICK TIPS

Did you know strainer clips and elastomers are consumable items and fatigue over time?

Clips: The fit of a clip must be checked regularly and replaced when it no longer provides a secure fit or is overly worn.

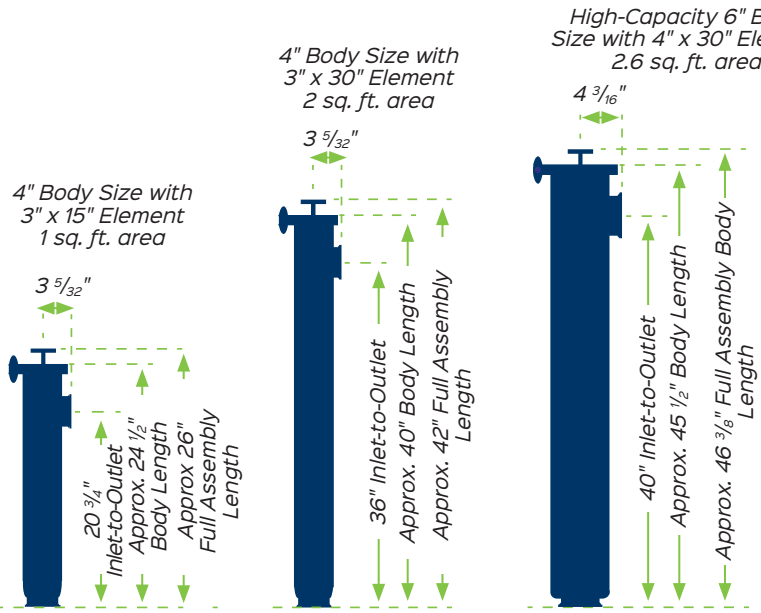
Elastomers: Plan to replace the strainer elastomers annually at a minimum.

Not sure when to clean a strainer?

Installing a pressure gauge before and after a strainer can help. When the gauge placed after the strainer drops 8 to 10 psi following the initial flow start-up, you'll know it is time to clean.

GOOD TO KNOW

- **Strainer & Element Material:** 316L stainless steel
- **Sanitary ID Finish:** 32 µin Ra
- **Full Assembly Maximum Pressure Rating (Standard Tri-Clamp):** 125 psi (4" body), 75 psi (6" body)
- **Full Assembly Maximum Pressure Rating (High Pressure Tri-Clamp):** 200 psi (4" & 6" body)
- **Maximum Temperature Rating:** 250 °F
- Wedgewire elements have some interior surfaces greater than 32 µin Ra due to the construction process.
- Hot water jacket is available for 4" strainer bodies, contact Sani-Matic for custom quoting.
- When shipped, strainer assemblies with a Teflon Encapsulated O-ring are not lubricated. Strainer assemblies with other O-ring materials will be lubricated with an FDA-compliant silicone grease.
- High-Capacity Angle-Line Strainers have a 6" Body Size and are ideal for higher-volume processes.
- Sample / Drain Ports are 0.5" Tri-Clamp. They drain a majority of the liquid, but are not 100% drainable. *NOTE: A cap or sample valve is not included in the assembly.*
- End-Inlet Strainers are Standard Flow and Side-Inlet Strainers are Reverse Flow.
- Filter tubes are FDA compliant, and when used with perforated elements $\frac{3}{32}$ " or larger maintain overall strainer assembly 3-A certification.
- Tuf-Flex® Gaskets are PTFE gaskets with an EPDM core - they help reduce "stickiness" of the gasket allowing for an easier and quicker strainer element removal process.



NOTE: Dimensions are for Tri-Clamp connections.

Angle-Line Strainer Model Number Key

Example Model #: AS15T3-P125S54000

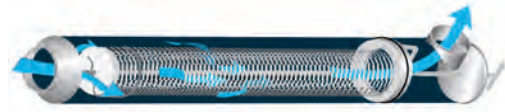
		1	2	3	4	5	6	7	8	9	10	11	12	13	14	15	16
1 Strainer Model	A Angle-Line																
2 Body Length	S Short Body L Long Body																
3, 4 Connection Size	15 1.5" 20 2.0" 25 2.5" 30 3.0" 40 4.0"																
5 Connection Type	T Tri-Clamp (Standard) H Tri-Clamp - High Pressure Clamp W Butt Weld*																
6 Finish / Polish	3 32 µin Ra / Mechanical Polish (Standard) 1 20 µin Ra / Mechanical Polish* 8 32 µin Ra / Electropolish* 4 15 µin Ra / Electropolish*																
7-10 Element Type / Size	P062 Perforated / 0.0625" ($\frac{1}{16}$ "*) P093 Perforated / 0.09375" ($\frac{3}{32}$ "*) P125 Perforated / 0.125" ($\frac{1}{8}$ "*) P250 Perforated / 0.25" ($\frac{1}{4}$ "*) P375 Perforated / 0.375" ($\frac{3}{8}$ "*) W002 Wedgewire / 0.002" W005 Wedgewire / 0.005" W007 Wedgewire / 0.007" W010 Wedgewire / 0.010" W015 Wedgewire / 0.015" W020 Wedgewire / 0.020" W030 Wedgewire / 0.030" W040 Wedgewire / 0.040" W060 Wedgewire / 0.060" W187 Wedgewire / 0.1875"																
11 Flow Direction	S Standard Flow R Reverse Flow																
12 Seal Kit	5 EPDM Gasket / Teflon Encapsulated Silicone O-Ring (Standard) 6 Viton Gasket / Teflon Encapsulated Silicone O-Ring 7 Teflon Gasket / Teflon Encapsulated Silicone O-Ring 8 Buna-N Gasket / Teflon Encapsulated Silicone O-Ring 9 Silicone Gasket / Teflon Encapsulated Silicone O-Ring T Tuf-Flex Gasket / Teflon Encapsulated Silicone O-Ring 0 EPDM Gasket / EPDM O-Ring 1 Viton Gasket / Viton O-Ring 3 Buna-N Gasket / Buna-N O-Ring																
13, 14 Body Size	40 4.0"																
15 Option #1	0 None (Standard) M Magnetic Trap																
16 Option #2	0 None (Standard) 2 Dual Sight Glass* D Drain / Sample Port* 3 Dual Sight Glass & Drain / Sample Port*																

*Non-stock product option. Longer lead times will apply.

NOTE: See page 16 for element details.

Reference: Former Part Number & New Model Number Comparison

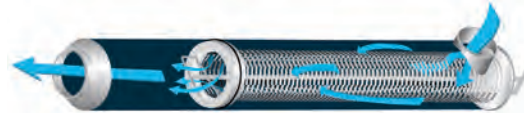
Reference Model Number Key for selections to be made. Selections are designated by empty **green** boxes in the tables below.



Angle-Line End-Inlet Model (Standard Flow)

Connection Size	Body Size	Max. gpm	SHORT (20 3/4" Inlet-to-Outlet)		LONG (36" Inlet-to-Outlet)	
			Perforated Old Part #	Perforated New Model Key #	Perforated Old Part #	Perforated New Model Key #
1.5"	4"	70	S10026	AS15T3-P <input type="checkbox"/> S <input type="checkbox"/> 40 <input type="checkbox"/>	S10036	AL15T3-P <input type="checkbox"/> S <input type="checkbox"/> 40 <input type="checkbox"/>
2.0"	4"	130	S10027	AS20T3-P <input type="checkbox"/> S <input type="checkbox"/> 40 <input type="checkbox"/>	S10037	AL20T3-P <input type="checkbox"/> S <input type="checkbox"/> 40 <input type="checkbox"/>
2.5"	4"	200	S10028	AS25T3-P <input type="checkbox"/> S <input type="checkbox"/> 40 <input type="checkbox"/>	S10038	AL25T3-P <input type="checkbox"/> S <input type="checkbox"/> 40 <input type="checkbox"/>
3.0"	4"	200	S10029	AS30T3-P <input type="checkbox"/> S <input type="checkbox"/> 40 <input type="checkbox"/>	S10039	AL30T3-P <input type="checkbox"/> S <input type="checkbox"/> 40 <input type="checkbox"/>
4.0"	4"	230	S10030	AS40T3-P <input type="checkbox"/> S <input type="checkbox"/> 400 <input type="checkbox"/>	S10040	AL40T3-P <input type="checkbox"/> S <input type="checkbox"/> 40 <input type="checkbox"/>
Connection Size	Body Size	Max. gpm	Wedgewire Old Part #	Wedgewire New Model Key #	Wedgewire Old Part #	Wedgewire New Model Key #
1.5"	4"	70	S10146	AS15T3-W <input type="checkbox"/> S <input type="checkbox"/> 40 <input type="checkbox"/>	S10156	AL15T3-W <input type="checkbox"/> S <input type="checkbox"/> 40 <input type="checkbox"/>
2.0"	4"	130	S10147	AS20T3-W <input type="checkbox"/> S <input type="checkbox"/> 40 <input type="checkbox"/>	S10157	AL20T3-W <input type="checkbox"/> S <input type="checkbox"/> 40 <input type="checkbox"/>
2.5"	4"	200	S10148	AS25T3-W <input type="checkbox"/> S <input type="checkbox"/> 40 <input type="checkbox"/>	S10158	AL25T3-W <input type="checkbox"/> S <input type="checkbox"/> 40 <input type="checkbox"/>
3.0"	4"	200	S10149	AS30T3-W <input type="checkbox"/> S <input type="checkbox"/> 40 <input type="checkbox"/>	S10159	AL30T3-W <input type="checkbox"/> S <input type="checkbox"/> 40 <input type="checkbox"/>
4.0"	4"	230	S10150	AS40T3-W <input type="checkbox"/> S <input type="checkbox"/> 400 <input type="checkbox"/>	S10160	AL40T3-W <input type="checkbox"/> S <input type="checkbox"/> 40 <input type="checkbox"/>

NOTE: Magnetic Trap option is not available with 4.0" Connection Size.



Angle-Line Side-Inlet Model (Reverse Flow)

Connection Size	Body Size	Max. gpm	SHORT (20 3/4" Inlet-to-Outlet)		LONG (36" Inlet-to-Outlet)	
			Perforated Old Part #	Perforated New Model Key #	Perforated Old Part #	Perforated New Model Key #
1.5"	4"	70	X10026	AS15T3-P <input type="checkbox"/> R <input type="checkbox"/> 400 <input type="checkbox"/>	X10036	AL15T3-P <input type="checkbox"/> R <input type="checkbox"/> 400 <input type="checkbox"/>
2.0"	4"	130	X10027	AS20T3-P <input type="checkbox"/> R <input type="checkbox"/> 400 <input type="checkbox"/>	X10037	AL20T3-P <input type="checkbox"/> R <input type="checkbox"/> 400 <input type="checkbox"/>
2.5"	4"	205	X10028	AS25T3-P <input type="checkbox"/> R <input type="checkbox"/> 400 <input type="checkbox"/>	X10038	AL25T3-P <input type="checkbox"/> R <input type="checkbox"/> 400 <input type="checkbox"/>
3.0"	4"	240	X10029	AS30T3-P <input type="checkbox"/> R <input type="checkbox"/> 400 <input type="checkbox"/>	X10039	AL30T3-P <input type="checkbox"/> R <input type="checkbox"/> 400 <input type="checkbox"/>
4.0"	4"	300	X10030	AS40T3-P <input type="checkbox"/> R <input type="checkbox"/> 400 <input type="checkbox"/>	X10040	AL40T3-P <input type="checkbox"/> R <input type="checkbox"/> 400 <input type="checkbox"/>
Connection Size	Body Size	Max. gpm	Wedgewire Old Part #	Wedgewire New Model Key #	Wedgewire Old Part #	Wedgewire New Model Key #
1.5"	4"	70	X10146	AS15T3-W <input type="checkbox"/> R <input type="checkbox"/> 400 <input type="checkbox"/>	X10156	AL15T3-W <input type="checkbox"/> R <input type="checkbox"/> 400 <input type="checkbox"/>
2.0"	4"	130	X10147	AS20T3-W <input type="checkbox"/> R <input type="checkbox"/> 400 <input type="checkbox"/>	X10157	AL20T3-W <input type="checkbox"/> R <input type="checkbox"/> 400 <input type="checkbox"/>
2.5"	4"	205	X10148	AS25T3-W <input type="checkbox"/> R <input type="checkbox"/> 400 <input type="checkbox"/>	X10158	AL25T3-W <input type="checkbox"/> R <input type="checkbox"/> 400 <input type="checkbox"/>
3.0"	4"	240	X10149	AS30T3-W <input type="checkbox"/> R <input type="checkbox"/> 400 <input type="checkbox"/>	X10159	AL30T3-W <input type="checkbox"/> R <input type="checkbox"/> 400 <input type="checkbox"/>
4.0"	4"	300	X10150	AS40T3-W <input type="checkbox"/> R <input type="checkbox"/> 400 <input type="checkbox"/>	X10160	AL40T3-W <input type="checkbox"/> R <input type="checkbox"/> 400 <input type="checkbox"/>

NOTE: Magnetic Trap option is not available with Reverse Flow.

Angle-Line Strainer Options

The Drain / Sample Port helps operators drain strainers before removing the element for cleaning. Air relief sample valves are recommended for the Drain / Sample Port option.

Strainer sight glasses provide visual access to particulate buildup levels.

See Magnetic Trap Strainer section for more details on that option.



Drain / Sample Port



Dual Sight Glass

Cv Values & Pressure Drops for Angle-Line Strainers

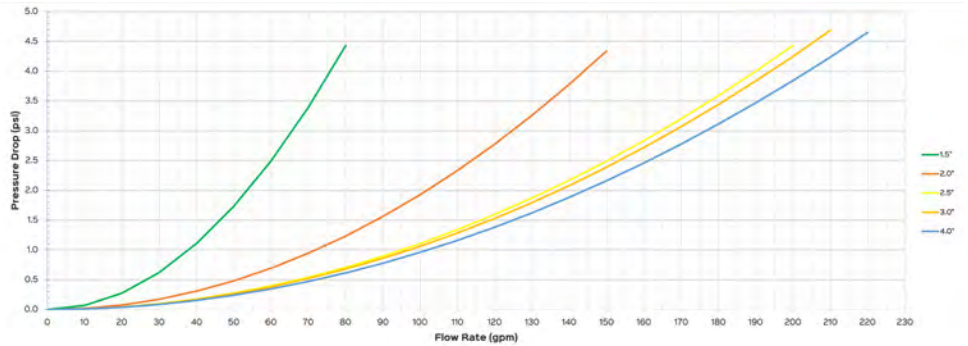
Cv values or the provided pressure drop tables can be used to estimate the pressure drop across a strainer for a strainer specification at a given flow rate. Contact Sani-Matic for inquiries on pressure drops for fluids with other viscosities.

Cv Values

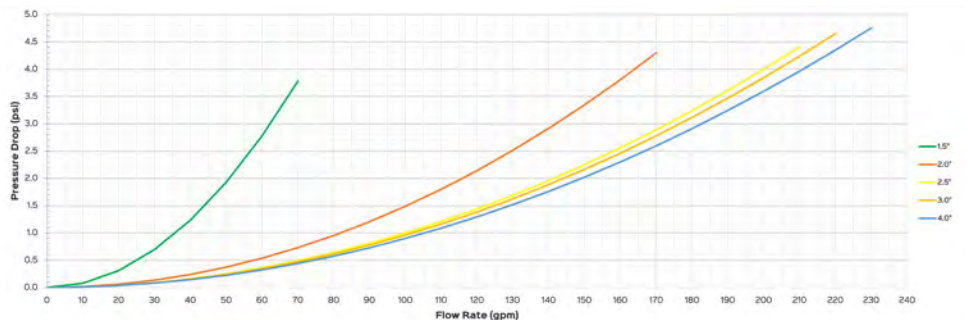
Body Size	Body Length	Flow Configuration	Connection Size	Cv
4.0"	Long (36")	Standard	1.5"	38
			2.0"	72
			2.5"	95
			3.0"	97
	Short (20.75")		1.5"	36
			2.0"	82
			2.5"	100
			3.0"	102
	Long (36")	Reverse	4.0"	106
			1.5"	36
			2.0"	77
			2.5"	112
3.0"			125	
4.0"			155	
Short (20.75")			1.5"	39
			2.0"	77
	2.5"	120		
	3.0"	142		
Long (36")	Reverse	4.0"	160	
		1.5"	39	
		2.0"	77	
		2.5"	120	
6.0"	Long (36")	Standard	4.0"	230
		Reverse	4.0"	230

NOTE: Cv values and charted pressure drops can be used for perforated, wedgewire, and perforated with mesh overlays or filter tubes. The clean pressure drop is minimally impacted by the element configuration in most cases. For worst-case calculations, add 20% to the calculated pressure drop.

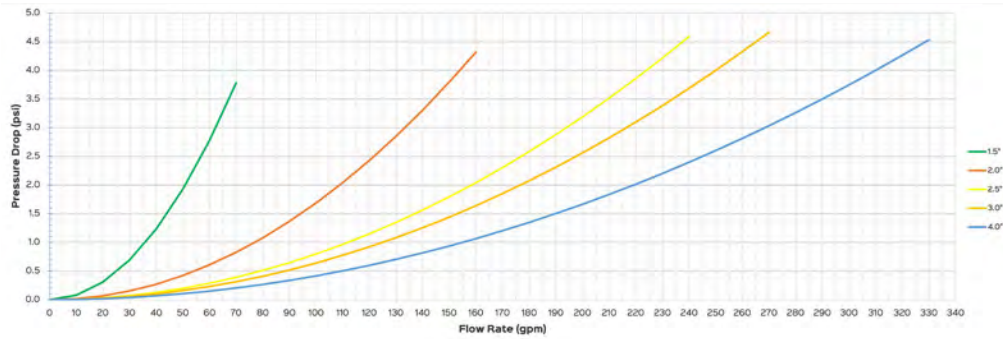
Angle-Line Strainer Pressure Drop: 4.0" Body, Standard Flow, Long Body (36")



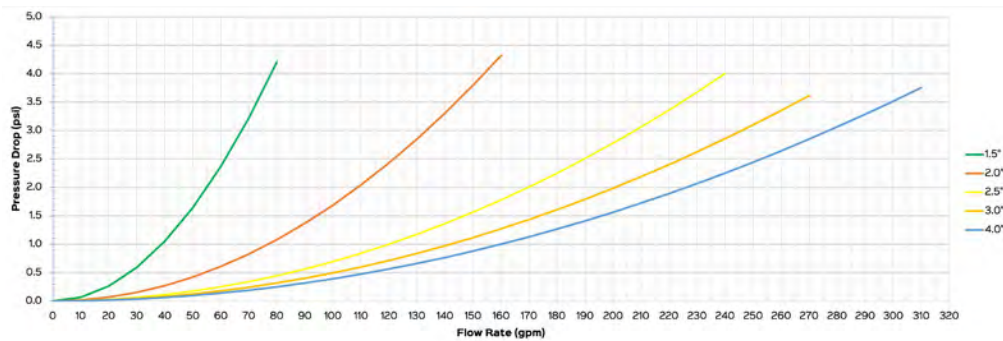
Angle-Line Strainer Pressure Drop: 4.0" Body, Standard Flow, Short Body (20.75")



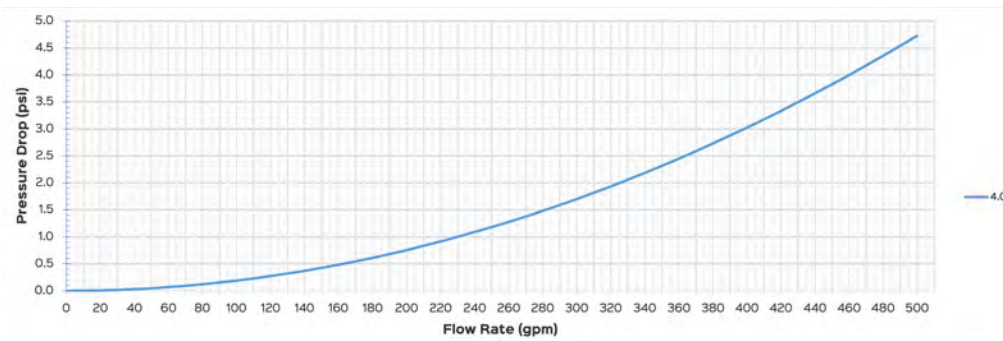
Angle-Line Strainer Pressure Drop: 4.0" Body, Reverse Flow, Long Body (36")



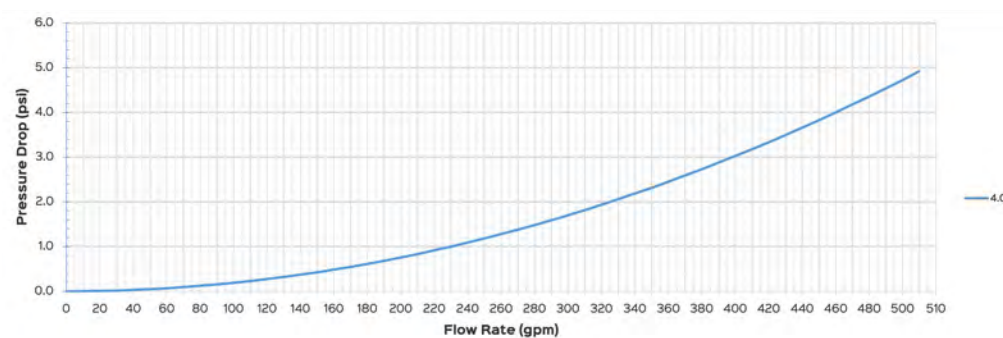
Angle-Line Strainer Pressure Drop: 4.0" Body, Reverse Flow, Short Body (20.75")



Angle-Line Strainer Pressure Drop: 6.0" Body (High-Capacity), Standard Flow



Angle-Line Strainer Pressure Drop: 6.0" Body (High-Capacity), Reverse Flow



NOTE: Contact Sani-Matic for 3.0" and 6.0" connection high-capacity strainer Cv information.

High-Capacity Angle-Line Strainer Model Number Key

Example Model #: HL40T3-P125S56000

		1	2	3	4	5	6	7	8	9	10	11	12	13	14	15	16
1 Strainer Model	H Angle-Line, High-Capacity																
2 Body Length	L Long Body																
3, 4 Connection Size	30 3.0" 40 4.0" 60 6.0"																
5 Connection Type	T Tri-Clamp (Standard) H Tri-Clamp - High Pressure Clamp W Butt Weld*																
6 Finish / Polish	3 32 µin Ra / Mechanical Polish (Standard) 1 20 µin Ra / Mechanical Polish* 8 32 µin Ra / Electropolish* 4 15 µin Ra / Electropolish*																
7-10 Element Type / Size	P062 Perforated / 0.0625" (1/16")* P093 Perforated / 0.09375" (3/32")* P125 Perforated / 0.125" (1/8") P250 Perforated / 0.25" (1/4") W002 Wedgewire / 0.002"* W005 Wedgewire / 0.005" W007 Wedgewire / 0.007"* W010 Wedgewire / 0.010"* W015 Wedgewire / 0.015" W020 Wedgewire / 0.020"* W030 Wedgewire / 0.030"* W040 Wedgewire / 0.040"* W060 Wedgewire / 0.060"* W187 Wedgewire / 0.1875"*																
11 Flow Direction	S Standard Flow R Reverse Flow																
12 Seal Kit	5 EPDM Gasket / Teflon Encapsulated Silicone O-Ring (Standard) 6 Viton Gasket / Teflon Encapsulated Silicone O-Ring 7 Teflon Gasket / Teflon Encapsulated Silicone O-Ring 8 Buna-N Gasket / Teflon Encapsulated Silicone O-Ring 9 Silicone Gasket / Teflon Encapsulated Silicone O-Ring T Tuf-Flex Gasket / Teflon Encapsulated Silicone O-Ring 0 EPDM Gasket / EPDM O-Ring 1 Viton Gasket / Viton O-Ring 3 Buna-N Gasket / Buna-N O-Ring																
13, 14 Body Size	60 6.0"																
15 Option #1	0 None (Standard)																
16 Option #2	0 None (Standard) 2 Dual Sight Glass* D Drain / Sample Port* 3 Dual Sight Glass & Drain / Sample Port*																

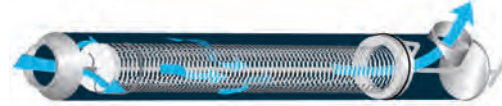
*Non-stock product option. Longer lead times will apply.

NOTE: See page 16 for element details.

Reference: Former Part Number & New Model Number Comparison

Reference Model Number Key for selections to be made. Selections are designated by empty **green** boxes in the tables below.

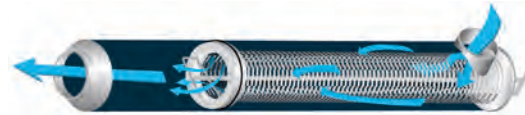
High Capacity Angle-Line End-Inlet Model (Standard Flow)



Connection Size	Body Size	Max. gpm	LONG (40" Inlet-to-Outlet)	
			Perforated Old Part #	Perforated New Model Key #
4.0"	6"	465	S10176	HL40T3-P <input type="checkbox"/> S <input type="checkbox"/> 600 <input type="checkbox"/>
Connection Size	Body Size	Max. gpm	Wedgewire Old Part #	Wedgewire New Model Key #
4.0"	6"	465	S10175	HL40T3-W <input type="checkbox"/> S <input type="checkbox"/> 600 <input type="checkbox"/>

NOTE: Magnetic Traps are not available with 6" Body Size.

High Capacity Angle-Line Side-Inlet Model (Reverse Flow)



Connection Size	Body Size	Max. gpm	LONG (40" Inlet-to-Outlet)	
			Perforated Old Part #	Perforated New Model Key #
4.0"	6"	510	X10176	HL40T3-P <input type="checkbox"/> R <input type="checkbox"/> 600 <input type="checkbox"/>
Connection Size	Body Size	Max. gpm	Wedgewire Old Part #	Wedgewire New Model Key #
4.0"	6"	510	X10175	HL40T3-W <input type="checkbox"/> R <input type="checkbox"/> 600 <input type="checkbox"/>

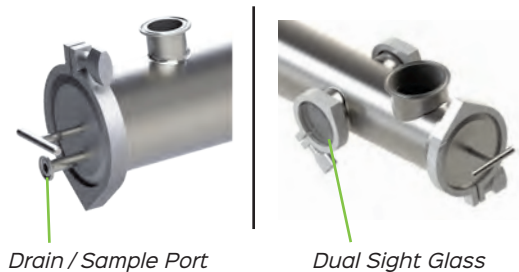
NOTE: Magnetic Traps are not available with 6" Body Size.

High-Capacity Angle-Line Strainer Options

High-capacity strainers are ideal for higher-volume processes.

The Drain / Sample Port helps operators drain the majority of liquid from the strainers before removing the element for cleaning. Air relief sample valves are recommended for the Drain / Sample Port option.

Strainer sight glasses provide visual access to particulate buildup levels.



Drain / Sample Port

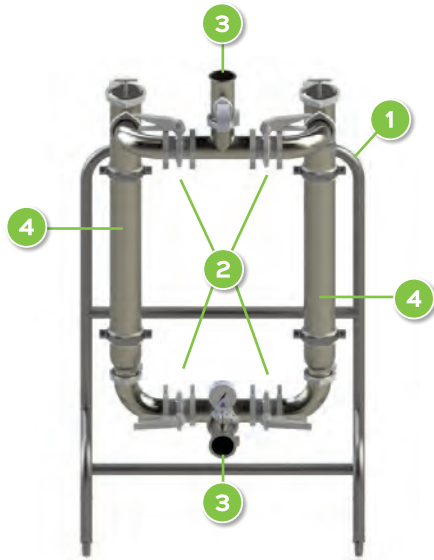
Dual Sight Glass

Multi-Angle-Line Strainer Model Number Key

Example Model #: **MADV-S15T3-P125S540M21515**

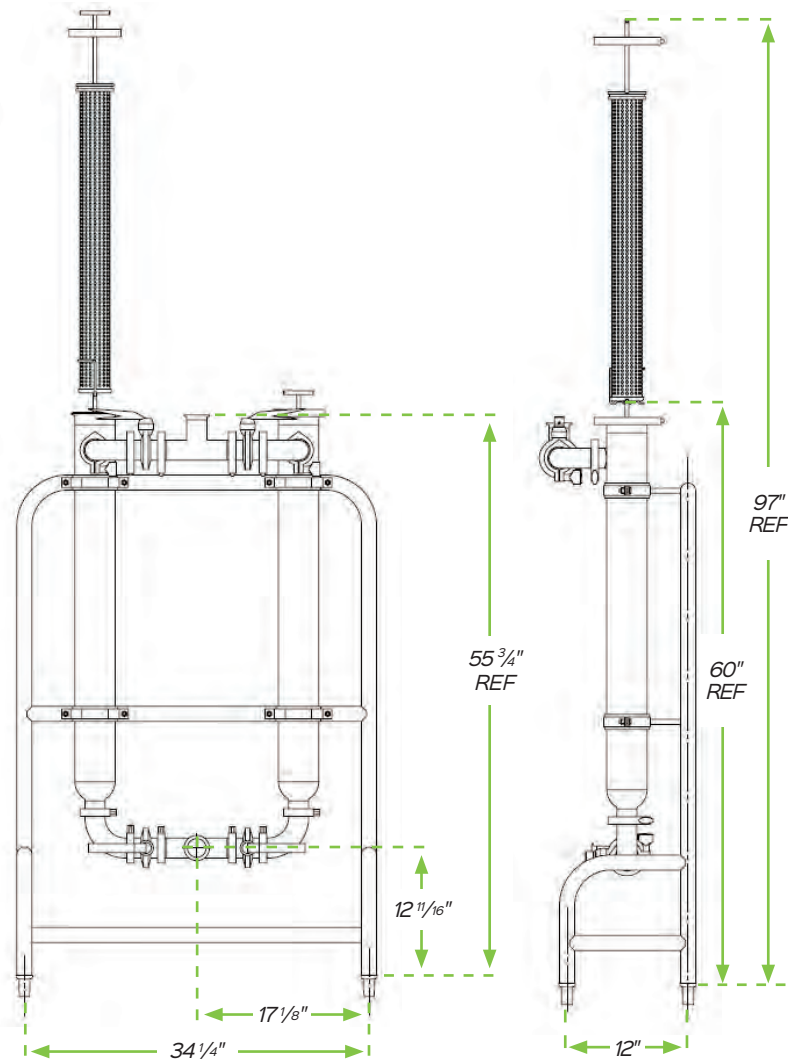
1 2	3 4	5	6 7	8	9	10 11 12 13 14 15	16 17	18	19	20 21	22 23		
1, 2 Strainer Model													
MA	Multi-Angle-Line Strainer												
3, 4 Configuration Type													
DV	Dual Strainers - Vertical												
5 Body Length													
S	Short Body												
L	Long Body												
6, 7 Connection Size													
15	1.5"												
20	2.0"												
25	2.5"												
30	3.0"												
40	4.0"												
8 Connection Type													
T	Tri-Clamp (Standard)												
9 Finish / Polish													
3	32 µin Ra / Mechanical Polish (Standard)												
10-13 Element Type / Size													
P062	Perforated / 0.0625" (1/16")*												
P093	Perforated / 0.09375" (3/32")												
P125	Perforated / 0.125" (1/8")												
P250	Perforated / 0.25" (1/4")												
P375	Perforated / 0.375" (3/8")												
W002	Wedgewire / 0.002"												
W005	Wedgewire / 0.005"												
W007	Wedgewire / 0.007"												
W010	Wedgewire / 0.010"												
W015	Wedgewire / 0.015"												
W020	Wedgewire / 0.020"												
W030	Wedgewire / 0.030"												
W040	Wedgewire / 0.040"												
W060	Wedgewire / 0.060"												
W187	Wedgewire / 0.1875"												
14 Flow Direction													
S	Standard Flow												
R	Reverse Flow												
15 Seal Kit													
5	EPDM Gasket / Teflon Encapsulated Silicone O-Ring (Standard)												
6	Viton Gasket / Teflon Encapsulated Silicone O-Ring												
7	Teflon Gasket / Teflon Encapsulated Silicone O-Ring												
8	Buna-N Gasket / Teflon Encapsulated Silicone O-Ring												
9	Silicone Gasket / Teflon Encapsulated Silicone O-Ring												
0	EPDM Gasket / EPDM O-Ring												
1	Viton Gasket / Viton O-Ring												
3	Buna-N Gasket / Buna-N O-Ring												
16, 17 Body Size													
40	4.0"												
18 Option #1													
0	None (Standard)												
M	Magnetic Trap												
19 Option #2													
0	None (Standard)												
2	Dual Sight Glass*												
20, 21 Valve Kits													
00	None												
15	Valve Kit 1.5" Connection Size												
20	Valve Kit 2.0" Connection Size												
25	Valve Kit 2.5" Connection Size												
30	Valve Kit 3.0" Connection Size												
40	Valve Kit 4.0" Connection Size												
22, 23 Pressure Gauge Kit													
00	None												
15	Pressure Gauge Kit 1.5" Connection Size												
20	Pressure Gauge Kit 2.0" Connection Size												
25	Pressure Gauge Kit 2.5" Connection Size												
30	Pressure Gauge Kit 3.0" Connection Size												
40	Pressure Gauge Kit 4.0" Connection Size												

*Non-stock product option. Longer lead times will apply. NOTE: See page 16 for element details. NOTE: Stand is included in all above configs.

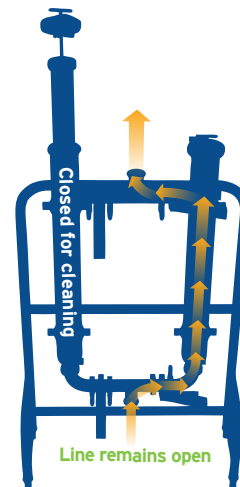


- 1 Dual Vertical Angle-Line Strainer Stand
- 2 Valve Kit
- 3 Pressure Gauge Kit
- 4 Angle-Line Strainers (2)

Multi-Angle-Line Strainers
Dual Strainers - Vertical
Complete Assembly



NOTE: Image shown references long strainer assemblies.



NOTE: The above diagram highlights end-inlet strainers, but Dual Angle-Line Strainer Assemblies can be configured as side-entry.

Multi-Angle-Line Strainer Replacement Parts

1 Dual Vertical Angle-Line Strainer Stands

Connection Size	Body Size	SHORT (20 3/4")	LONG (36")
1.5"	4"	254212	257979
2.0"	4"	258021	258010
2.5"	4"	258030	258017
3.0"	4"	258031	257599
4.0"	4"	N/A	254256

NOTE: Stands are approximately 35 lbs.



2 Valve Kits

Kit includes: Four (4) Elbows, two (2) Tees, four (4) VNE Butterfly Valves, twelve (12) Clamps, and twelve (12) Gaskets.

Material: 316L Stainless Steel

NOTE: Alternate valves available.

NOTE: Strainers are not included in the valve kit, they are sold separately.

Connection Size	Part #
1.5"	291142
2.0"	291143
2.5"	291144
3.0"	291145
4.0"	291146

3 Pressure Gauge Kit

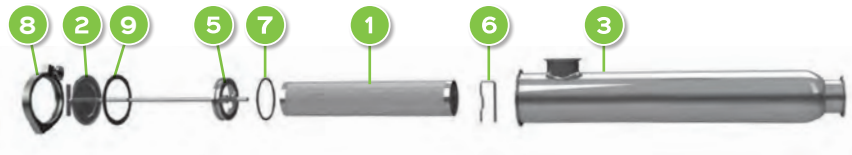
Two (2) Sanitary Diaphragm-type Pressure Gauges, two (2) Tees, four (4) Gaskets and four (4) Clamps. Install before and after the strainer assembly. Pressure range for gauge is 0 to 160 psi. Gauge connection size is 1.5" TC for all kits.

Connection Size	Part #
1.5"	158581
2.0"	158585
2.5"	158591
3.0"	158593
4.0"	158596

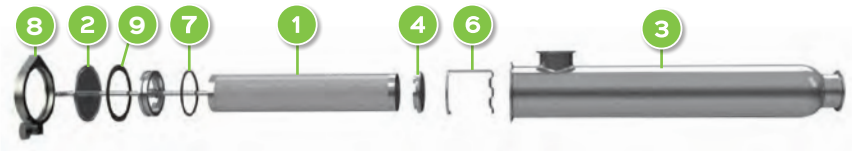


Angle-Line Strainer Replacement Parts

Angle-Line Side-Inlet Strainer (Reverse Flow)



Angle-Line End-Inlet Strainer (Standard Flow)



- 1 Strainer Element
- 2 Strainer Element Frame
- 3 Strainer Body
- 4 End Plug
- 5 O-Ring Retainer
- 6 Retaining Clip
- 7 O-Ring
- 8 Clamp
- 9 Gasket

1 Strainer Elements

Perforated Strainer Elements

Strainer Body Size	Strainer Element Size	Hole Size	Open Area	SHORT (15") Part #	LONG (30") Part #
4"	3"	1/16"	23%	289084*	277628*
4"	3"	3/32"	33%	721068	720972
4"	3"	1/8"	40%	720584	720585
4"	3"	1/4"	58%	720411	720412
4"	3"	3/8"	51%	720939*	720940*

Perforated High-Capacity Strainer Elements

6"	4"	1/16"	23%	N/A	289088*
6"	4"	3/32"	33%	N/A	720890*
6"	4"	1/8"	40%	N/A	720799
6"	4"	1/4"	58%	N/A	720800

Wedgewire Strainer Elements

Strainer Body Size	Strainer Element Size	Slot Size	Micron Rating	Wire Mesh (Approx. Equiv.)	Open Area	SHORT (15") Part #	LONG (30") Part #
4"	3"	0.002"	50	270	4.1%	700323	700334
4"	3"	0.005"	125	120	9.6%	700324	700335
4"	3"	0.007"	177	80	13.0%	700325	700336
4"	3"	0.010"	250	60	17.5%	700326	700337
4"	3"	0.015"	380	40	24.2%	700327	700338
4"	3"	0.020"	500	32	29.9%	700328	700339
4"	3"	0.030"	750	25	39.0%	700329	700340
4"	3"	0.040"	1015	17	46.0%	700330	700341
4"	3"	0.060"	1524	10	56.1%	700331	700342
4"	3"	0.1875"	4775	4	72.5%	700333	700343

*Non-stock product option. Longer lead times will apply.

NOTE: Slot size to micron rating is a nominally rated value only.

NOTE: Other perforated and wedgewire sizes are available.

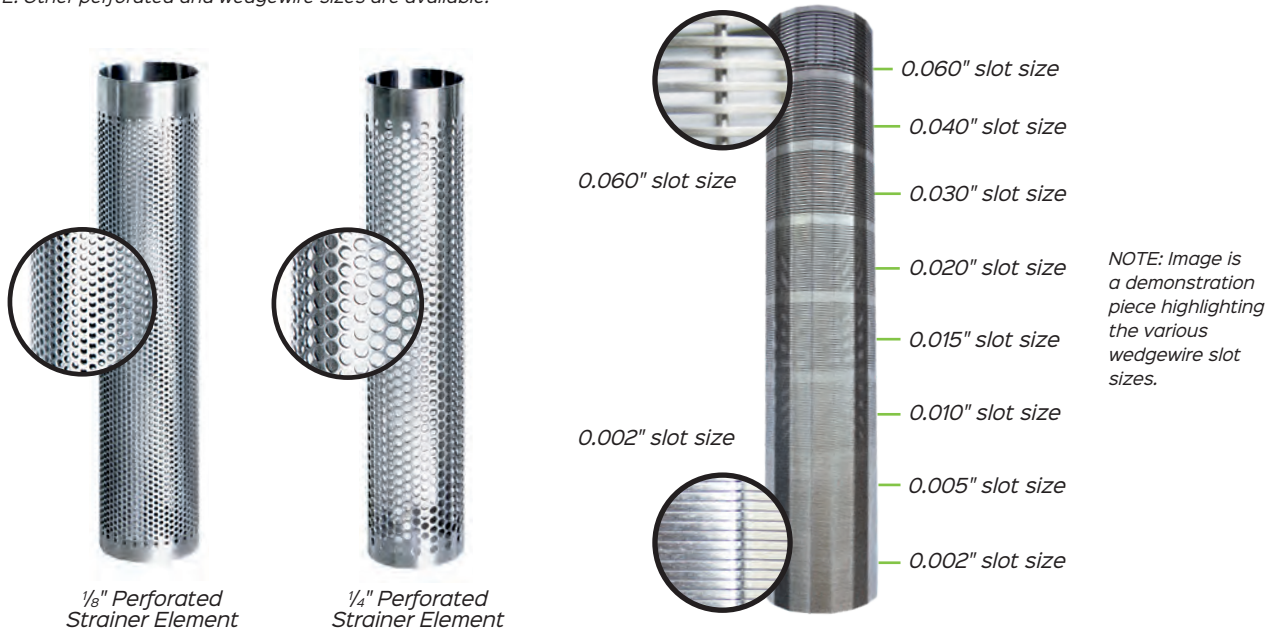
1 Strainer Elements

WedgeWire High-Capacity Strainer Elements							
Strainer Body Size	Strainer Element Size	Slot Size	Micron Rating	Wire Mesh (Approx. Equiv.)	Open Area	SHORT (15") Part #	LONG (30") Part #
6"	4"	0.002"	50	270	4.1%	N/A	700481*
6"	4"	0.005"	125	120	9.6%	N/A	700482
6"	4"	0.007"	177	80	13.0%	N/A	700483*
6"	4"	0.010"	250	60	17.5%	N/A	700484*
6"	4"	0.015"	380	40	24.2%	N/A	700485
6"	4"	0.020"	500	32	29.9%	N/A	700486*
6"	4"	0.030"	750	25	39%	N/A	700487*
6"	4"	0.040"	1015	17	46.0%	N/A	700488
6"	4"	0.060"	1524	10	56.1%	N/A	700489
6"	4"	0.1875"	4775	4	72.5%	N/A	700490*

*Non-stock product option. Longer lead times will apply.

NOTE: Slot size to micron rating is a nominally rated value only.

NOTE: Other perforated and wedgeWire sizes are available.



1/8" Perforated Strainer Element

1/4" Perforated Strainer Element

GOOD TO KNOW

- **Element Material:** 316L stainless steel
- **Element Sanitary ID Finish:** 32 µin Ra
- Wedgewire elements have some interior surfaces greater than 32 µin Ra due to the construction process.
- End-Inlet Strainers are Standard Flow and Side-Inlet Strainers are Reverse Flow.
- Strainer elements protect your processing equipment and product integrity.
- Perforated and wedgeWire elements provide different straining advantages:

Advantages of Perforated Element

- 3-A Certified when used without mesh overlay

Advantages of Wedgewire Element

- Simple one piece solution (vs. using mesh overlays or filter tubes with perforated elements)
- Ability to handle higher differential pressures across strainer element





Angle-Line Side-Inlet (Reverse Flow)

Angle-Line End-Inlet (Standard Flow)

Angle-Line End-Inlet with Magnetic Trap

2 Strainer Element Frames

NOTE: End-Inlet Strainers are Standard Flow and Side-Inlet Strainers are Reverse Flow.

Strainer Model	Flow Direction	Strainer Element Length	Strainer Body Length (Inlet-to-Outlet)	Body Size	Strainer Element Frame Length*	Connection Size	Part #
Angle-Line	Side-Inlet (Reverse Flow)	SHORT (15")	SHORT (20 3/4")	4.0"	18 1/2"	1.5" - 4.0"	740320
Angle-Line	Side-Inlet (Reverse Flow)	LONG (30")	LONG (36")	4.0"	33 1/2"	1.5" - 4.0"	740348
Angle-Line	End-Inlet (Standard Flow)	SHORT (15")	SHORT (20 3/4")	4.0"	24 5/8"	1.5" - 3.0"	700544
Angle-Line	End-Inlet (Standard Flow)	LONG (30")	LONG (36")	4.0"	40"	1.5" - 3.0"	700546
Angle-Line	End-Inlet (Standard Flow)	SHORT (15")	SHORT (20 3/4")	4.0"	26 5/16"	4.0"	700552
Angle-Line	End-Inlet (Standard Flow)	LONG (30")	LONG (36")	4.0"	41 11/16"	4.0"	700549
Angle-Line w/ Magnetic Trap	End-Inlet (Standard Flow)	SHORT (15")	SHORT (20 3/4")	4.0"	24 5/8"	1.5" - 3.0"	288850
Angle-Line w/ Magnetic Trap	End-Inlet (Standard Flow)	LONG (30")	LONG (36")	4.0"	40"	1.5" - 3.0"	288856
Strainer Model	Flow Direction	Strainer Element Length	High-Capacity Strainer Body Length (Inlet-to-Outlet)	Body Size	Strainer Element Frame Length*	Connection Size	Part #
Angle-Line	Side-Inlet (Reverse Flow)	LONG (30")	LONG (40")	6.0"	33 3/4"	3.0" - 6.0"	110123
Angle-Line	End-Inlet (Standard Flow)	LONG (30")	LONG (40")	6.0"	43 1/8"	3.0" - 6.0"	740622

*Overall minimum required length for removal clearance

3 Strainer Bodies (4" Body Size)

Strainer Model	Strainer Body Length (Inlet-to-Outlet)	Tri-Clamp Connection Size	Part #
Angle-Line	SHORT (20 3/4")	1.5"	740835
Angle-Line	SHORT (20 3/4")	2.0"	740836
Angle-Line	SHORT (20 3/4")	2.5"	740837
Angle-Line	SHORT (20 3/4")	3.0"	740838
Angle-Line	SHORT (20 3/4")	4.0"	741143
Angle-Line	LONG (36")	1.5"	740839
Angle-Line	LONG (36")	2.0"	740840
Angle-Line	LONG (36")	2.5"	740841
Angle-Line	LONG (36")	3.0"	740842
Angle-Line	LONG (36")	4.0"	740986

3 Strainer Bodies (6" Body Size, High-Capacity)

Strainer Model	Strainer Body Length (Inlet-to-Outlet)	Tri-Clamp Connection Size	Part #
Angle-Line	LONG (40")	3.0"	741244
Angle-Line	LONG (40")	4.0"	741078
Angle-Line	LONG (40")	6.0"	741179

4 End Plugs Use with Angle-Line End-Inlet Strainers

Body Size	Material	Part #
4"	Teflon	720988
4"	316Lss	118582
High-Capacity Body Size	Material	Part #
6"	316Lss	118583
6"	UHMW	720616

NOTE: 316Lss end plugs are standard.



Teflon End Plug



316Lss End Plug

5 O-Ring Retainers (Loose) Use with Angle-Line Side-Inlet and Magnetic Trap Strainers

Body Size	Part #
4"	721488
High-Capacity Body Size	Part #
6"	226783

NOTE: End-Inlet O-Ring Retainers are welded to the Strainer Element Frame.

NOTE: Magnetic Trap Strainer uses a 4" O-Ring Retainer.



4" O-Ring Retainer



6" O-Ring Retainer

6 Retaining Clips Use with Angle-Line Strainers

Body Size	Flow Direction	Part #
4"	Side-Inlet (Reverse Flow)	720408
4"	End-Inlet (Standard Flow)	740295
High-Capacity Body Size	Flow Direction	Part #
6"	Side-Inlet (Reverse Flow)	320033
6"	End-Inlet (Standard Flow)	740623



4" Side-Inlet Clip (Reverse Flow)



6" Side-Inlet Clip (Reverse Flow)

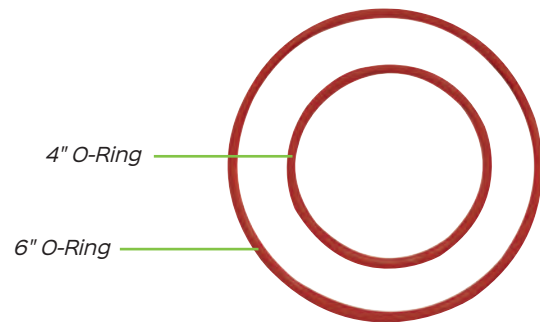


End-Inlet Clip (Standard Flow)

7 O-Rings Use with Angle-Line, Side- and End-Inlet Strainers

Body Size	Material	Part #
4"	EPDM	020503
4"	Viton	020236
4"	Teflon Encapsulated Silicone	024020
4"	Buna-N	020234
High-Capacity Body Size	Material	Part #
6"	EPDM	022416
6"	Viton	036747
6"	Teflon Encapsulated Silicone	034355
6"	Buna-N	020222

NOTE: Teflon Encapsulated Silicone is O-ring standard. Other materials require lubrication.



4" O-Ring

6" O-Ring

8 Clamps

Clamp Type	For 4" Body Size Part #	For 6" Body Size (High-Capacity) Part #
Standard	020225	020976
High Pressure	020916	025686



Standard Clamp

9 Gaskets

Material	For 4" Body Size Part #	For 6" Body Size (High-Capacity) Part #
EPDM (Standard)	021031	022975
Viton	020474	023847
Silicone	024582	025683
Buna-N	020226	020263
Tuf-Flex	046739	046740



VL-3A Sight Glass



Sight Glass Replacements

Description	Part #
VL-3A Sight Glass Assembly, 2.5" TC	056231
Metaglas® Sight Glass, 2.5" TC, 200 psi / 536 °F	047043
Clamp, 2.5"	020083
Gasket, 2.5", EPDM	021029

NOTE: Temperature ratings listed are for the sight glass and may be limited by connection clamp ratings.

NOTE: Metaglas® Sight Glass was used on strainers manufactured prior to 2022. This sight glass is not 3-A Certified.

NOTE: VL-3A Sight Glass Assemblies come with the sight glass, sight glass body, EPDM tri-clamp and sight glass gaskets, tri-clamp, and a tri-clamp short weld ferrule.

Spare Parts Kit Angle-Line Strainer

Includes: O-ring Retainer (with Reverse Flow) or Stainless Steel End Plug (with Standard Flow), Retainer Clip, 4" Tri-Clamp Gasket and O-ring.

Flow Direction	Part #
End-Inlet (Standard Flow)	S25725
Side-Inlet (Reverse Flow)	X10177

ID Tag

Custom tag your components with an engraved stainless steel tag, affixed to the component using ball chain. Up to 10 characters can be specified.

Description	Part #
ID Tag, 2.0" x 0.5", 304ss	720826

Sample Port Valve



Description	Part #
Sample Port Valve, Tri-Clamp, 0.5"	021881
Clamp, Tri-Clamp, Standard, 0.5-0.75"	020224
Gasket, Tri-Clamp, EPDM, 0.5"	021037

NOTE: Air relief sample valves are recommended for the Drain / Sample Port option.

Conversion Kits Angle-Line Strainer

Kits are used to Reverse Flow direction.

Includes: Element Frame, O-ring Retainer (with Reverse Flow kit) or Stainless Steel End Plug (with Standard Flow kit), Clip and O-ring.

Flow Direction	SHORT Part #	LONG Part #
End to Side-Inlet (Reverse Flow)	S10177	S10180
Side to End-Inlet (Standard Flow)	S10178	S10181
Side to End-Inlet (Standard Flow) (For 4" tri-clamp connection / 4" body)	S10179	S10182



Angle-Line Strainer Accessories

Mesh Overlays (For perforated elements only) 316Lss Wire

Mesh Size US	Body Size	Micron (Approx. Equiv.)	Opening Width in Inches (Approx. Equivalent)	Open Area	SHORT (15") Part #	LONG (30") Part #
8	4.0"	2360	0.0970"	60%	035251	029664
10	4.0"	2000	0.0750"	56%	000717	000701
12	4.0"	1700	0.0603"	52%	035252	029665
20	4.0"	850	0.0340"	46%	000712	000702
30	4.0"	600	0.0213"	41%	000713	000703
40	4.0"	425	0.0150"	36%	000714	000704
50	4.0"	300	0.0110"	30%	000715	000705
60	4.0"	250	0.0092"	31%	000716	000706
80	4.0"	180	0.0070"	31%	000718	000708
100	4.0"	150	0.0060"	36%	000711	000710
120	4.0"	125	0.0046"	31%	000720	000707
150	4.0"	98	0.0041"	37%	021276	021274
200	4.0"	75	0.0029"	34%	021275	10000048
High-Capacity Mesh Overlays						
20	6.0"	850	0.0340"	46%	N/A	037929
40	6.0"	425	0.0150"	36%	N/A	048637
60	6.0"	250	0.0092"	31%	N/A	044369
100	6.0"	150	0.0060"	36%	N/A	038981
150	6.0"	100	0.0041"	37%	N/A	000719



Filter Tube: 4" Body Size x 20.75" Strainers • 50/Box

4 7/8" x 17" Filter Tubes (For 1", 1.5", 2", 2.5", 3", and 4" connections). Fits 3" x 15" Perforated Element.



Material	Width	Length (SHORT)	Max. Temperature (°F)	Micron	Part #
Polyester	4 7/8"	17"	400	32	032789
Polyester	4 7/8"	17"	400	40	048602
Polyester Multifilament	4 7/8"	17"	270 continuous, 455 short term	80	041235
Nylon Multifilament	4 7/8"	17"	185 continuous, 455 short term	150	031264
Polyester Knit	4 7/8"	17"	270 continuous, 455 short term	225	033922
Polyester Monofilament	4 7/8"	17"	270 continuous, 455 short term	250	036985
Plain Weave Cotton Cloth	4 7/8"	17"	300	270	028476
Nylon Monofilament	4 7/8"	17"	270 continuous, 455 short term	400	048603
Nylon Monofilament	4 7/8"	17"	185 continuous, 455 short term	800	031133
Nylon Multifilament	4 7/8"	17"	185 continuous, 455 short term	1000	028335

*1" filter tube is for SaniClean strainers only.

Filter Tube: 4" Body Size x 36" Strainers • 50/Box

4 7/8" x 33 1/2" Filter Tubes (For 1", 1.5", 2", 2.5", 3", and 4" connections). Fits 3" x 30" Perforated Element.



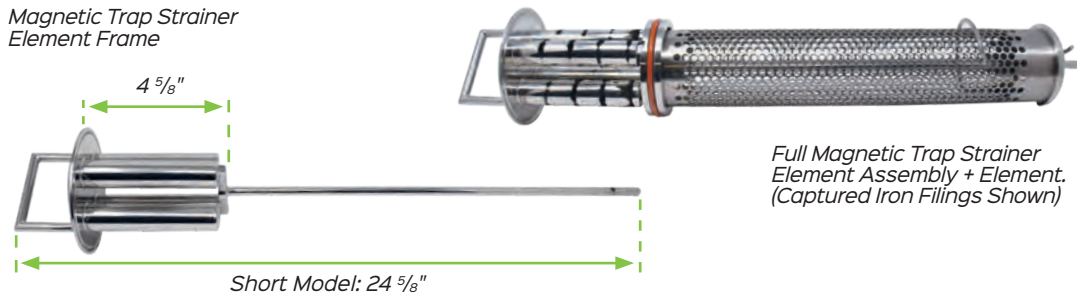
Material	Width	Length (LONG)	Max. Temperature (°F)	Micron	Part #
Non-Woven Polyester	4 7/8"	33 1/2"	400	25	028390
Polyester	4 7/8"	33 1/2"	400	40	028857
Polyester Multifilament	4 7/8"	33 1/2"	270 continuous, 455 short term	80	029075
Nylon Multifilament	4 7/8"	33 1/2"	185 continuous, 455 short term	150	028395
Polyester Monofilament	4 7/8"	33 1/2"	270 continuous, 455 short term	225	040565
Polyester Monofilament	4 7/8"	33 1/2"	270 continuous, 455 short term	250	030951
Plain Weave Cotton Cloth	4 7/8"	33 1/2"	300	270	028797
Polyester Multifilament	4 7/8"	33 1/2"	270 continuous, 455 short term	400	023864
Cotton Flannel	4 7/8"	33 1/2"	300	500	029190
Nylon Monofilament	4 7/8"	33 1/2"	275	500	041618
Nylon Multifilament	4 7/8"	33 1/2"	185 continuous, 455 short term	800	10000044

*1" filter tube is for SaniClean strainers only.

Magnetic Trap Strainers

The Sani-Matic Angle-Line Magnetic Trap Strainer doubles as a strainer and magnetic trap to ensure product integrity and equipment protection against metal particles, such as iron, 304 stainless steel, and shed metal-detect gasket particulates, while also straining process particles such as seeds, pulp, and more. The magnetic trap's location within the strainer body eliminates the need for a second process line cut.

Current Standard Flow, Angle-Line Strainer bodies can easily become a Magnetic Trap Strainer by adding a Magnetic Trap Element Frame and accompanying angle-line element retaining parts.



QUICK TIPS

Oh my Gauss! How strong is that magnet? Magnet flux density, or intensity, is measured in Gauss. It can be measured via Pull Tests and Gauss Meters. A pull test shows the pull force of a magnet by the amount of force required to break free of the magnet.

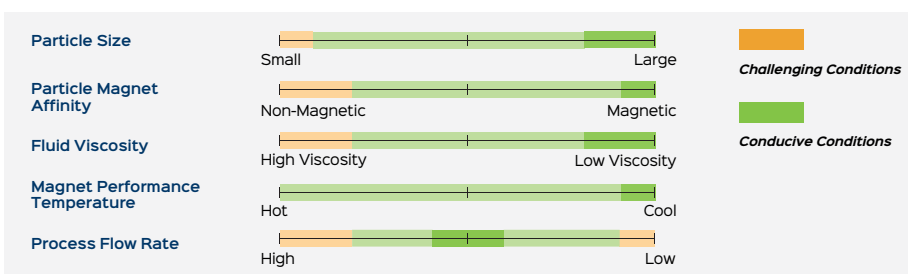
Strong but not unbreakable. While the magnets maintain a strong hold, they are not unbreakable. If not handled with care, the strainer element frame's magnets can shatter and lose efficacy.

Are there safety considerations? The magnets have a powerful pull. Working with metal tools next to the magnetic trap may pinch hands, and the magnets may be harmful to ID wearers and people with pacemakers.

GOOD TO KNOW

- **Magnetic Rating Range:** 9,500 - 11,500 Gauss
- **Maximum Temperature:** 220 °F
- **Finish:** 32 µin Ra
- Standard Flow Only
- 4" Body Size Only
- Is not 3-A Certified
- Magnet: Neodymium rare-earth element
- Gauss certificate is provided
- Magnetic Trap captures magnetic items; the Element captures the other product debris (pulp, seeds, etc.)
- Adding magnetic trap capabilities adds minimal pressure drop (approx. 5% increase)
- Sani-Matic provides a recertification service where old units can be sent in for testing to ensure magnetic strength is sufficient, or if replacement is needed

Metal Fines Capture Efficacy Conditions



See the Magnetic Strainer Capture 304ss Particulates

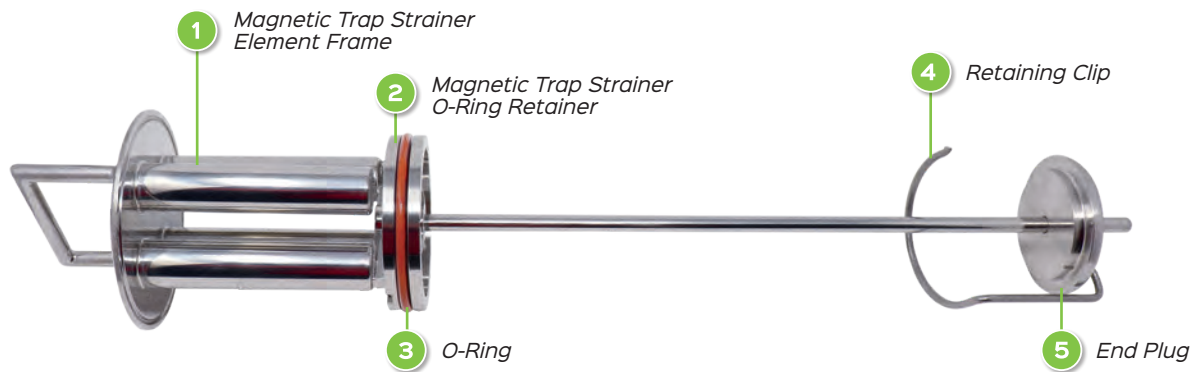
Magnetic Trap Strainer Element Assemblies

Includes Strainer Element Frame, O-Ring Retainer, End Plug, O-Ring and Retaining Clip

Strainer Model	Flow Direction	Strainer Element Length	Strainer Body Length (Inlet-to-Outlet)	Body Size	Strainer Element Frame Length*	Connection Size	Part #
Angle-Line w/ Magnetic Trap	End-Inlet (Standard Flow)	SHORT (15")	SHORT (20 3/4")	4"	24 5/8"	1.5" - 3.0"	285388
Angle-Line w/ Magnetic Trap	End-Inlet (Standard Flow)	LONG (30")	LONG (36")	4"	40"	1.5" - 3.0"	288472

*Overall minimum required length for removal clearance.

NOTE: These assemblies include standard Teflon Encapsulated Silicone O-Ring.



Replacement Parts

1 Magnetic Trap Strainer Element Frames

Strainer Model	Flow Direction	Strainer Element Length	Strainer Body Length (Inlet-to-Outlet)	Body Size	Strainer Element Frame Length**	Connection Size	Part #
Angle-Line w/ Magnetic Trap	End-Inlet (Standard Flow)	SHORT (15")	SHORT (20 3/4")	4.0"	24 5/8"	1.5" - 3.0"	288850
Angle-Line w/ Magnetic Trap	End-Inlet (Standard Flow)	LONG (30")	LONG (36")	4.0"	40"	1.5" - 3.0"	288856

**Overall allowable length removal clearance.

2 Magnetic Trap Strainer O-Ring Retainer

Body Size	Flow Direction	Part #
4"	End-Inlet (Standard Flow)	721488

3 O-Rings

Body Size	Material	Part #
4"	EPDM	020503
4"	Viton	020236
4"	Teflon Encapsulated Silicone	024020
4"	Buna-N	020234

4 Retaining Clips

Body Size	Flow Direction	Part #
4"	End-Inlet (Standard Flow)	740295

5 End Plug

Body Size	Material	Part #
4"	316Lss	118582




Straight-Line Strainers

Durable Strainers for Standard Flow Processes

Sani-Matic's durable Straight-Line Strainers are used when process line layouts require Straight-Line Strainers. Manufactured in the U.S., quick turnaround times are available for standard models.

Unlike Angle-Line Strainers, when using Straight-Line Strainers, the process lines must be disassembled for cleaning and are available only in a single flow configuration.

With a wide variety of perforated and wedgewire straining elements, the Straight-Line Strainers provide product integrity and process equipment protection.

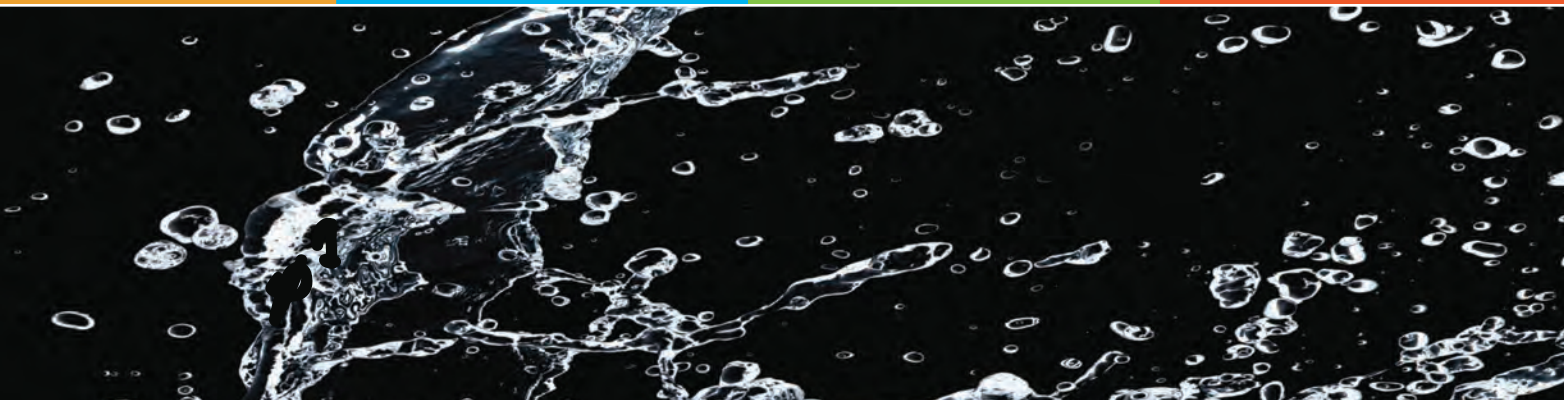
Sani-Matic's standard Straight-Line Strainers are 3-A Certified when perforated elements are used. 

Food & Beverage

Bio-Pharm

Sanitary Components

Services





QUICK TIPS

Did you know strainer clips and elastomers are consumable items and fatigue over time?

Clips: The fit of a clip must be checked regularly and replaced when it no longer provides a secure fit or is overly worn.

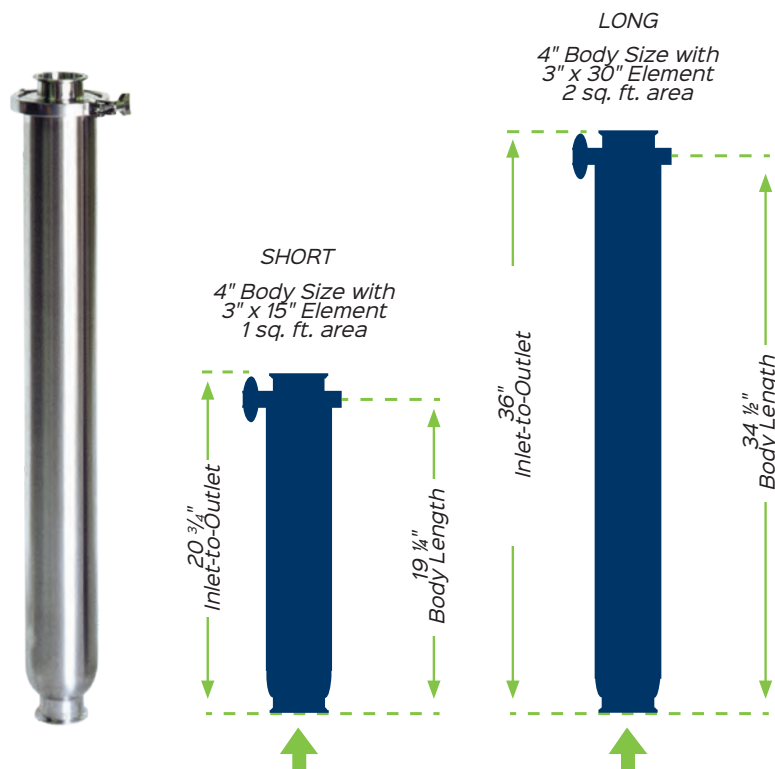
Elastomers: Plan to replace the strainer elastomers annually at a minimum.

Not sure when to clean a strainer?

Installing a pressure gauge before and after a strainer can help. When the gauge placed after the strainer drops 8 to 10 psi following the initial flow start-up, you'll know it is time to clean.

GOOD TO KNOW

- **Strainer & Element Material:** 316L stainless steel
- **Sanitary ID Finish:** 32 µin Ra
- **Maximum Temperature Rating:** 250 °F
- **Full Assembly Maximum Pressure Rating (Standard Tri-Clamp):** 125 psi
- **Full Assembly Maximum Pressure Rating (High Pressure Tri-Clamp):** 200 psi
- Wedgewire elements have some interior surfaces greater than 32 µin Ra due to the construction process.
- Hot water jacket is available in 4" strainer bodies only.
- When shipped, strainer assemblies with a Teflon Encapsulated O-ring are not lubricated. Strainer assemblies with other O-ring materials will be lubricated with an FDA-compliant silicone grease.
- Filter tubes are FDA compliant, and when used with perforated elements $\frac{3}{32}$ " or larger maintain overall strainer assembly 3-A certification.
- Tuf-Flex® Gaskets are PTFE gaskets with an EPDM core - they help reduce "stickiness" of the gasket allowing for an easier and quicker strainer element removal process.



Straight-Line Strainer Model Number Key

Example Model #: SS15T3-P125X04000

		1	2	3	4	5	6	7	8	9	10	11	12	13	14	15	16
1 Strainer Model	S Straight-Line																
2 Body Length	S Short Body L Long Body																
3, 4 Connection Size	15 1.5" 20 2.0" 25 2.5" 30 3.0" 40 4.0"																
5 Connection Type	T Tri-Clamp (Standard) H Tri-Clamp - High Pressure Clamp W Butt Weld*																
6 Finish / Polish	3 32 µin Ra / Mechanical Polish (Standard) 1 20 µin Ra / Mechanical Polish* 8 32 µin Ra / Electropolish* 4 15 µin Ra / Electropolish*																
7-10 Element Type / Size	P062 Perforated / 0.0625" (1/16")* P093 Perforated / 0.09375" (3/32") P125 Perforated / 0.125" (1/8") P250 Perforated / 0.25" (1/4") P375 Perforated / 0.375" (3/8") W002 Wedgewire / 0.002" W005 Wedgewire / 0.005" W007 Wedgewire / 0.007" W010 Wedgewire / 0.010" W015 Wedgewire / 0.015" W020 Wedgewire / 0.020" W030 Wedgewire / 0.030" W040 Wedgewire / 0.040" W060 Wedgewire / 0.060" W187 Wedgewire / 0.1875"																
11 Flow Direction	X Standard Flow																
12 Seal Kit	0 EPDM Gasket (Standard) T Tuf-Flex Gasket 1 Viton Gasket 3 Buna-N Gasket																
13, 14 Body Size	40 4.0"																
15 Option #1	0 None (Standard)																
16 Option #2	0 None (Standard)																

**Non-stock product option. Longer lead times will apply.*

NOTE: See page 29 for element details.

Reference: Former Part Number & New Model Number Comparison

Reference Model Number Key for selections to be made. Selections are designated by empty **green** boxes in the table below.

Straight-Line Strainer

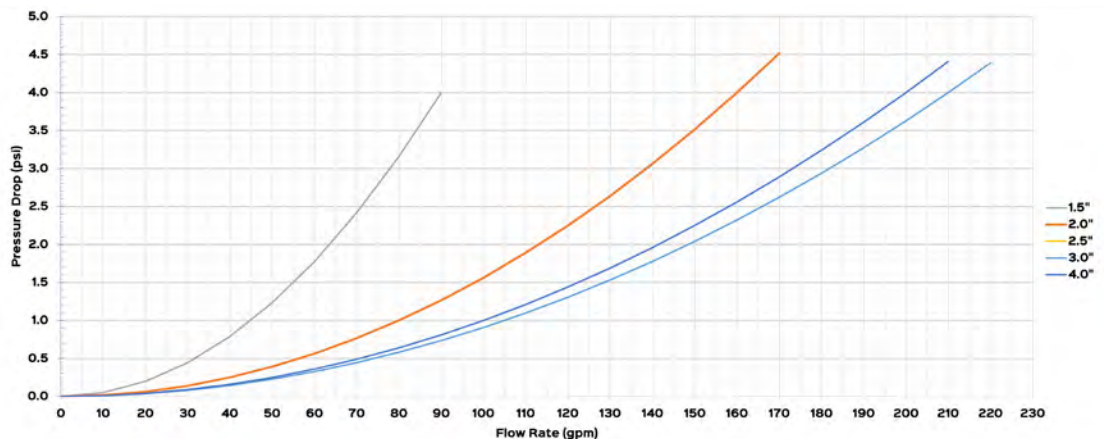
Connection Size	Body Size	Max. gpm	SHORT Inlet-to-Outlet (20 3/4")		LONG Inlet-to-Outlet (36")	
			Perforated Old Part #	Perforated New Model Key #	Perforated Old Part #	Perforated New Model Key #
1.5"	4"	70	S10006	SS15T3-P <input type="text"/> X <input type="text"/> 4000	S10016	SL15T3-P <input type="text"/> X <input type="text"/> 4000
2.0"	4"	130	S10007	SS20T3-P <input type="text"/> X <input type="text"/> 4000	S10017	SL20T3-P <input type="text"/> X <input type="text"/> 4000
2.5"	4"	200	S10008	SS25T3-P <input type="text"/> X <input type="text"/> 4000	S10018	SL25T3-P <input type="text"/> X <input type="text"/> 4000
3.0"	4"	250	S10009	SS30T3-P <input type="text"/> X <input type="text"/> 4000	S10019	SL30T3-P <input type="text"/> X <input type="text"/> 4000
4.0"	4"	275	S10010	SS40T3-P <input type="text"/> X <input type="text"/> 4000	S10020	SL40T3-P <input type="text"/> X <input type="text"/> 4000
Connection Size	Body Size	Max. gpm	Wedgewire Old Part #	Wedgewire New Model Key #	Wedgewire Old Part #	Wedgewire New Model Key #
1.5"	4"	70	S10126	SS15T3-W <input type="text"/> X <input type="text"/> 4000	S10136	SL15T3-W <input type="text"/> X <input type="text"/> 4000
2.0"	4"	130	S10127	SS20T3-W <input type="text"/> X <input type="text"/> 4000	S10137	SL20T3-W <input type="text"/> X <input type="text"/> 4000
2.5"	4"	200	S10128	SS25T3-W <input type="text"/> X <input type="text"/> 4000	S10138	SL25T3-W <input type="text"/> X <input type="text"/> 4000
3.0"	4"	250	S10129	SS30T3-W <input type="text"/> X <input type="text"/> 4000	S10139	SL30T3-W <input type="text"/> X <input type="text"/> 4000
4.0"	4"	275	S10130	SS40T3-W <input type="text"/> X <input type="text"/> 4000	S10140	SL40T3-W <input type="text"/> X <input type="text"/> 4000

Cv Values & Pressure Drops for Straight-Line Strainers

Cv values or the provided pressure drop tables can be used to estimate the pressure drop across a strainer for a strainer specification at a given flow rate. Contact Sani-Matic for inquiries on pressure drops for fluids with other viscosities.

Body Length	Connection Size	Cv
Short & Long (20.75" & 36")	1.5"	45
	2.0"	80
	2.5"	100
	3.0"	105
	4.0"	100

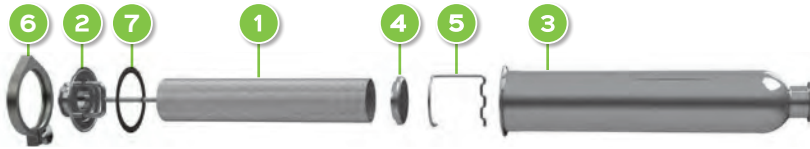
Straight-Line Strainer Pressure Drop



NOTE: Cv values and charted pressure drops can be used for perforated, wedgewire, and perforated with mesh overlays or filter tubes. The clean pressure drop is minimally impacted by the element configuration in most cases. For worst-case calculations, add 20% to the calculated pressure drop.

Straight-Line Strainer Replacement Parts

Straight-Line Strainer



- 1 Strainer Element
- 2 Strainer Element Frame
- 3 Strainer Body
- 4 End Plug
- 5 Retaining Clip
- 6 Clamp
- 7 Gasket

1 Strainer Elements

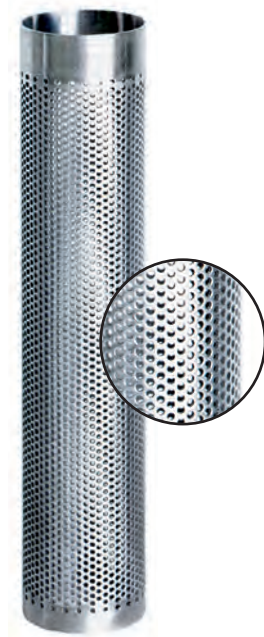
Perforated Strainer Elements					
Strainer Body Size	Strainer Element Size	Hole Size	Open Area	SHORT (15") Part #	LONG (30") Part #
4"	3"	1/16"	23%	289084*	277628*
4"	3"	3/32"	33%	721068	720972
4"	3"	1/8"	40%	720584	720585
4"	3"	1/4"	58%	720411	720412
4"	3"	3/8"	51%	720939*	720940*

Wedgewire Strainer Elements							
Strainer Body Size	Strainer Element Size	Slot Size	Micron Rating	Wire Mesh (Approx. Equiv.)	Open Area	SHORT (15") Part #	LONG (30") Part #
4"	3"	0.002"	50	270	4.1%	700323	700334
4"	3"	0.005"	125	120	9.6%	700324	700335
4"	3"	0.007"	177	80	13.0%	700325	700336
4"	3"	0.010"	250	60	17.5%	700326	700337
4"	3"	0.015"	380	40	24.2%	700327	700338
4"	3"	0.020"	500	32	29.9%	700328	700339
4"	3"	0.030"	750	25	39.0%	700329	700340
4"	3"	0.040"	1015	17	46.0%	700330	700341
4"	3"	0.060"	1524	10	56.1%	700331	700342
4"	3"	0.1875"	4775	4	72.5%	700333	700343

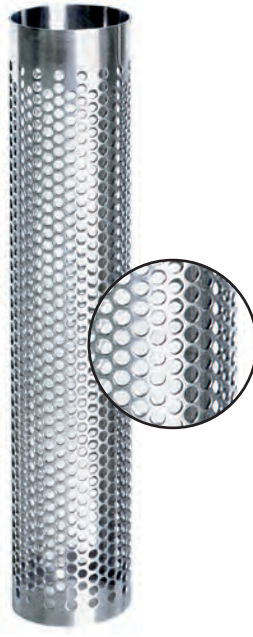
*Non-stock product option.

NOTE: Slot size to micron rating is a nominally rated value only.

NOTE: Other perforated and wedgewire sizes are available.



1/8" Perforated Strainer Element



1/4" Perforated Strainer Element



0.002" slot size

NOTE: Image is a demonstration piece highlighting the largest to smallest wedgewire slot sizes.

GOOD TO KNOW

- **Element Material:** 316L stainless steel
- **Sanitary ID Finish:** 32 μ m Ra
- Wedgewire elements have some interior surfaces greater than 32 μ m Ra due to construction process.
- Strainer elements protect your processing equipment and product integrity.
- Perforated and wedgewire elements provide different straining advantages:

Advantages of Perforated Element

- 3-A Certified when used without mesh overlay
- Large open area ratio with lower pressure drops
- Can capture fine particulate with wire mesh overlay and filter tubes

Advantages of Wedgewire Element

- Simple one piece solution (vs. using mesh overlays or filter tubes with perforated elements)
- Ability to handle higher differential pressures across strainer element





Straight-Line

2 Strainer Element Frames
 Straight-Line Strainers Have a Standard Flow Direction Only

Strainer Model	Flow Direction	Strainer Element Frame Length*	Strainer Element Length	Strainer Body Length	Connection Size	Part #
Straight-Line	End-Inlet	18 1/16"	SHORT (15")	SHORT (Approx. 19")	1.5"	740318
Straight-Line	End-Inlet	18 1/16"	SHORT (15")	SHORT (Approx. 19")	2.0"	740325
Straight-Line	End-Inlet	18 1/16"	SHORT (15")	SHORT (Approx. 19")	2.5"	740359
Straight-Line	End-Inlet	18 1/16"	SHORT (15")	SHORT (Approx. 19")	3.0"	740565
Straight-Line	End-Inlet	19 19/32"	SHORT (15")	SHORT (Approx. 19")	4.0"	740491
Straight-Line	End-Inlet	33 1/16"	LONG (30")	LONG (Approx. 34")	1.5"	740422
Straight-Line	End-Inlet	33 1/16"	LONG (30")	LONG (Approx. 34")	2.0"	740309
Straight-Line	End-Inlet	33 1/16"	LONG (30")	LONG (Approx. 34")	2.5"	740305
Straight-Line	End-Inlet	33 1/16"	LONG (30")	LONG (Approx. 34")	3.0"	740356
Straight-Line	End-Inlet	34 19/32"	LONG (30")	LONG (Approx. 34")	4.0"	740368

*Overall allowable length removal clearance.

3 Strainer Bodies (4" Body Size)

Strainer Model	Strainer Body Length	Tri-Clamp Connection Size	Part #
Straight-Line	SHORT (Approx. 19")	1.5"	740843
Straight-Line	SHORT (Approx. 19")	2.0"	740844
Straight-Line	SHORT (Approx. 19")	2.5"	740845
Straight Line	SHORT (Approx. 19")	3.0"	740846
Straight-Line	SHORT (Approx. 19")	4.0"	741141
Straight-Line	LONG (Approx. 34")	1.5"	740847
Straight-Line	LONG (Approx. 34")	2.0"	740848
Straight-Line	LONG (Approx. 34")	2.5"	740849
Straight-Line	LONG (Approx. 34")	3.0"	740850
Straight-Line	LONG (Approx. 34")	4.0"	741142

4 End Plugs

Body Size	Material	Part #
4"	316Lss	118582
4"	Teflon	720988

NOTE: 316Lss end plugs are standard.



Teflon End Plug



316Lss End Plug

5 Retaining Clips

Body Size	Flow Direction	Part #
4"	End-Inlet (Standard Flow)	740295



6 Clamps

Clamp Type	Body Size	Part #
Standard	4"	020225
High Pressure	4"	020916



Standard Clamp

7 Gaskets

Material	Body Size	Part #
EPDM	4"	021031
Viton	4"	020474
Buna-N	4"	020226
Tuf-Flex	4"	046739



ID Tag

Custom tag your components with an engraved stainless steel tag, affixed to the component using ball chain. Up to 10 characters can be specified.

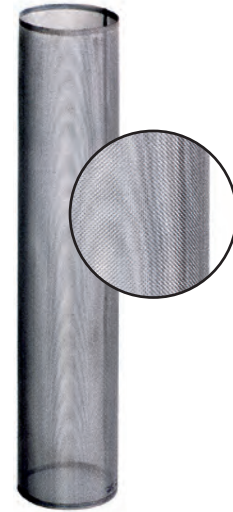
Description	Part #
ID Tag, 2.0" x 0.5", 304ss	720826



Straight-Line Strainer Accessories

Mesh Overlays (For perforated elements only)

Mesh Size US	Micron (Approx. Equiv.)	Opening Width in Inches (Approx. Equivalent)	Open Area	SHORT (15") Part #	LONG (30") Part #
8	2360	0.0970"	60%	035251	029664
10	2000	0.0750"	56%	000717	000701
12	1700	0.0603"	52%	035252	029665
20	850	0.0340"	46%	000712	000702
30	600	0.0213"	41%	000713	000703
40	425	0.0150"	36%	000714	000704
50	300	0.0110"	30%	000715	000705
60	250	0.0092"	31%	000716	000706
80	180	0.0070"	31%	000718	000708
100	150	0.0060"	36%	000711	000710
120	125	0.0046"	31%	000720	000707
150	98	0.0041"	37%	021276	021274
200	75	0.0029"	34%	021275	1000048



Mesh Overlay

Filter Tube: 4" Body Size x 20.75" Strainers • 50/Box

4 7/8" x 17" Filter Tubes (For 1", 1.5", 2", 2.5", 3", and 4" connections). Fits 3" x 15" Perforated Element.



Material	Width	Length (SHORT)	Max. Temperature (°F)	Micron	Part #
Polyester	4 7/8"	17"	400	32	032789
Polyester	4 7/8"	17"	400	40	048602
Polyester Multifilament	4 7/8"	17"	270 continuous, 455 short term	80	041235
Nylon Multifilament	4 7/8"	17"	185 continuous, 455 short term	150	031264
Polyester Knit	4 7/8"	17"	270 continuous, 455 short term	225	033922
Polyester Monofilament	4 7/8"	17"	270 continuous, 455 short term	250	036985
Plain Weave Cotton Cloth	4 7/8"	17"	300	270	028476
Nylon Monofilament	4 7/8"	17"	270 continuous, 455 short term	400	048603
Nylon Monofilament	4 7/8"	17"	185 continuous, 455 short term	800	031133
Nylon Multifilament	4 7/8"	17"	185 continuous, 455 short term	1000	028335

*1" filter tube is for SaniClean strainers only.

Filter Tube: 4" Body Size x 36" Strainers • 50/Box

4 7/8" x 33 1/2" Filter Tubes (For 1", 1.5", 2", 2.5", 3", and 4" connections). Fits 3" x 30" Perforated Element.



Material	Width	Length (LONG)	Max. Temperature (°F)	Micron	Part #
Non-Woven Polyester	4 7/8"	33 1/2"	400	25	028390
Polyester	4 7/8"	33 1/2"	400	40	028857
Polyester Multifilament	4 7/8"	33 1/2"	270 continuous, 455 short term	80	029075
Nylon Multifilament	4 7/8"	33 1/2"	185 continuous, 455 short term	150	028395
Polyester Monofilament	4 7/8"	33 1/2"	270 continuous, 455 short term	225	040565
Polyester Monofilament	4 7/8"	33 1/2"	270 continuous, 455 short term	250	030951
Plain Weave Cotton Cloth	4 7/8"	33 1/2"	300	270	028797
Polyester Multifilament	4 7/8"	33 1/2"	270 continuous, 455 short term	400	023864
Cotton Flannel	4 7/8"	33 1/2"	300	500	029190
Nylon Monofilament	4 7/8"	33 1/2"	275	500	041618
Nylon Multifilament	4 7/8"	33 1/2"	185 continuous, 455 short term	800	1000044

*1" filter tube is for SaniClean strainers only.

SaniClean™ Strainers

The SaniClean™ Strainer by Newark Wire Cloth Company is a direct replacement for a Tri-Clover style strainer. This strainer is constructed of 316L stainless steel and maintains an ID finish of 25 µin Ra and OD of 35 µin Ra. It is an alternative for your in-line (or straight-line) strainer needs. Wire mesh overscreens with longitudinal seams fit over the perforated support cores (or elements) to ensure a consistent diameter for the full length of the cylinder. Hemmed seams are tacked in place to provide a smooth, finished edge.



Complete Inline (or Straight-Line) Strainer Assemblies

Assemblies Include: Filter Body, Outlet Assembly, Distributor Cap, Spring, Clamp, Gasket (Buna-N), and Perforated Support Core (or Element).

Tri-Clamp Connections, 4" Body Size x 15.75", 3" Support Core (Element)

Connection Size	Body Size	Body Length	Perf. Size	Element Size	Part #
1.0"	4.0"	SHORT (15.75")	1/8"	3.0" x 10 7/8"	5009005
1.0"	4.0"	SHORT (15.75")	1/4"	3.0" x 10 7/8"	5009000
1.5"	4.0"	SHORT (15.75")	1/8"	3.0" x 10 7/8"	5009015
1.5"	4.0"	SHORT (15.75")	1/4"	3.0" x 10 7/8"	5009010
2.0"	4.0"	SHORT (15.75")	1/8"	3.0" x 10 7/8"	5009025
2.0"	4.0"	SHORT (15.75")	1/4"	3.0" x 10 7/8"	5009020

Tri-Clamp Connections, 4.5" Body Size x 15.75", 3.5" Support Core (Element)

Connection Size	Body Size	Body Length	Perf. Size	Element Size	Part #
2.5"	4.5"	SHORT (15.75")	1/8"	3.5" x 10 7/8"	5009035
2.5"	4.5"	SHORT (15.75")	1/4"	3.5" x 10 7/8"	5009030
3.0"	4.5"	SHORT (15.75")	1/8"	3.5" x 10 7/8"	5009045
3.0"	4.5"	SHORT (15.75")	1/4"	3.5" x 10 7/8"	5009040

Tri-Clamp Connections, 4" Body Size x 35.38", 3" Support Core (Element)

Connection Size	Body Size	Body Length	Perf. Size	Element Size	Part #
1.0"	4.0"	LONG (35.38")	1/8"	3.0" x 30 3/4"	5009055
1.0"	4.0"	LONG (35.38")	1/4"	3.0" x 30 3/4"	5009050
1.5"	4.0"	LONG (35.38")	1/8"	3.0" x 30 3/4"	5009065
1.5"	4.0"	LONG (35.38")	1/4"	3.0" x 30 3/4"	5009060
2.0"	4.0"	LONG (35.38")	1/8"	3.0" x 30 3/4"	5009075
2.0"	4.0"	LONG (35.38")	1/4"	3.0" x 30 3/4"	5009070

Tri-Clamp Connections, 4.5" Body Size x 35.38", 3.5" Support Core (Element)

Connection Size	Body Size	Body Length	Perf. Size	Element Size	Part #
2.5"	4.5"	LONG (35.38")	1/8"	3.5" x 30 3/4"	5009085
2.5"	4.5"	LONG (35.38")	1/4"	3.5" x 30 3/4"	5009080
3.0"	4.5"	LONG (35.38")	1/8"	3.5" x 30 3/4"	5009095
3.0"	4.5"	LONG (35.38")	1/4"	3.5" x 30 3/4"	5009090

SaniClean™ Strainer Replacement Parts



1 Clamp

Connection Size	Body Size	Part #
1.0" / 1.5" / 2.0"	4.0"	5000750
2.5" / 3.0"	4.5"	5000850



2 Outlet Assembly/Clamped Connection (Lid)

Clamped Connection Size	Part #	Bevel Seat Connection Size	Part #
1.0"	5000700	1.0"	5000705
1.5"	5000800	1.5"	5000805
2.0"	5000900	2.0"	5000905
2.5"	5001000	2.5"	5001005
3.0"	5002000	3.0"	5002005



3 Gaskets

Description	Connection Size	4" Body Size Part #	Connection Size	4.5" Body Size Part #
Buna-N (Standard)	1.0" / 1.5" / 2.0"	5000760	2.5" / 3.0"	5000765
Silicone	1.0" / 1.5" / 2.0"	5000770	2.5" / 3.0"	5000775
EPDM	1.0" / 1.5" / 2.0"	5000780	2.5" / 3.0"	5000785
Viton-SFY	1.0" / 1.5" / 2.0"	5000790	2.5" / 3.0"	5000795

4 Perforated Support Cores (Elements)

Connection Size	Body Size	Perf. Size	Body Length	Support Core (Element)	Part #
1.0" / 1.5" / 2.0"	4.0"	1/8"	SHORT (15.75")	3.0" x 10 7/8"	5005010
1.0" / 1.5" / 2.0"	4.0"	1/4"	SHORT (15.75")	3.0" x 10 7/8"	5005030
1.0" / 1.5" / 2.0"	4.0"	1/8"	LONG (35.38")	3.0" x 30 3/4"	5005050
1.0" / 1.5" / 2.0"	4.0"	1/4"	LONG (35.38")	3.0" x 30 3/4"	5005070
Connection Size	Body Size	Perf. Size	Body Length	Support Core (Element)	Part #
2.5" / 3.0"	4.5"	1/8"	SHORT (15.75")	3.5" x 10 7/8"	5006090
2.5" / 3.0"	4.5"	1/4"	SHORT (15.75")	3.5" x 10 7/8"	5006100
2.5" / 3.0"	4.5"	1/8"	LONG (35.38")	3.5" x 30 3/4"	5006120
2.5" / 3.0"	4.5"	1/4"	LONG (35.38")	3.5" x 30 3/4"	5006130

5 Distributor Cap

Connection Size	Body Size	Part #
1.0" / 1.5" / 2.0"	4.0"	5000730
2.5" / 3.0"	4.5"	5001030



6 Spring

Connection Size	Body Size	Part #
1.0" / 1.5" / 2.0"	4.0"	5000740
2.5" / 3.0"	4.5"	5001040



7 Filter Body

Clamped Connection Size	SHORT Body Part #	LONG Body Part #
1.0"	5000710	5000720
1.5"	5000810	5000820
2.0"	5000910	5000920
2.5"	5001010	5001020
3.0"	5002010	5002020



SaniClean™ Strainer Accessories



Retaining Rings

Retaining Rings Hold Filter Tubes' Support Cores (Elements)

Description	Part #
Retaining Rings (Buna-N) - to fit 3" dia. Perforated Element	3100108
Retaining Rings (Viton-SFY) - to fit 3" dia. Perforated Element	3100114
Retaining Rings (EPDM) - to fit 3" dia. Perforated Element	3100130
Retaining Rings (Buna-N) - to fit 3.5" dia. Perforated Element	3100109
Retaining Rings (Viton-SFY) - to fit 3.5" dia. Perforated Element	3100124
Retaining Rings (EPDM) - to fit 3.5" dia. Perforated Element	3100131

Filter Tubes: 4.5" Body Size • 50/Box

5 5/8" x 13 1/2" Filter Tubes (For 2.5", 3", and 4" Connections). Fits 3.5" x 11" Perforated Support Core (Element)

Material	Width	Length (SHORT)	Micron	Part #
Polyester	5 5/8"	13 1/2"	40	031840
Polyester Multifilament	5 5/8"	13 1/2"	80	048624
Nylon Multifilament	5 5/8"	13 1/2"	150	048625
Polyester Knit	5 5/8"	13 1/2"	225	048626
Polyester Multifilament	5 5/8"	13 1/2"	250	048627
Plain Weave Cotton Cloth	5 5/8"	13 1/2"	300	029189
Nylon Monofilament	5 5/8"	13 1/2"	300	048628
Nylon Monofilament	5 5/8"	13 1/2"	400	048629
Cotton Flannel	5 5/8"	13 1/2"	500	033778
Nylon Monofilament	5 5/8"	13 1/2"	500	048630
Nylon Multifilament	5 5/8"	13 1/2"	765	048631

Filter Tubes: 4.5" Body Size • 50/Box

5 5/8" x 33 1/2" Filter Tubes (For 2.5", 3" and 4" Connections). Fits 3.5" x 31" Perforated Support Core (Element)

Material	Width	Length (LONG)	Micron	Part #
Polyester	5 5/8"	33 1/2"	25	029473
Polyester	5 5/8"	33 1/2"	40	030660
Polyester Multifilament	5 5/8"	33 1/2"	80	048604
Nylon Multifilament	5 5/8"	33 1/2"	150	035341
Polyester Knit	5 5/8"	33 1/2"	225	038186
Polyester Monofilament	5 5/8"	33 1/2"	250	035342
Plain Weave Cotton Cloth	5 5/8"	33 1/2"	300	032668
Nylon Multifilament	5 5/8"	33 1/2"	300	048605
Nylon Monofilament	5 5/8"	33 1/2"	400	039161
Polyester Multifilament	5 5/8"	33 1/2"	400	048606
Cotton Flannel	5 5/8"	33 1/2"	500	048607
Nylon Monofilament	5 5/8"	33 1/2"	500	048608
Nylon Multifilament	5 5/8"	33 1/2"	765	048609

Mesh Overscreens for SaniClean Strainers

Description	Mesh Size	Part #	Description	Mesh Size	Part #
3" Dia. x 10 7/8" Length (SHORT)			3 1/2" Dia. x 10 7/8" Length (SHORT)		
Wire Mesh Overscreen	10	5000010	Wire Mesh Overscreen	10	5000160
Wire Mesh Overscreen	12	5000020	Wire Mesh Overscreen	12	5000170
Wire Mesh Overscreen	14	5000030	Wire Mesh Overscreen	14	5000180
Wire Mesh Overscreen	16	5000040	Wire Mesh Overscreen	16	5000190
Wire Mesh Overscreen	18	5000050	Wire Mesh Overscreen	18	5000200
Wire Mesh Overscreen	20	5000060	Wire Mesh Overscreen	20	5000210
Wire Mesh Overscreen	24	5000070	Wire Mesh Overscreen	24	5000220
Wire Mesh Overscreen	30	5000080	Wire Mesh Overscreen	30	5000230
Wire Mesh Overscreen	40	5000090	Wire Mesh Overscreen	40	5000240
Wire Mesh Overscreen	50	5000095	Wire Mesh Overscreen	50	5000245
Wire Mesh Overscreen	60	5000100	Wire Mesh Overscreen	60	5000250
Wire Mesh Overscreen	80	5000110	Wire Mesh Overscreen	80	5000260
Wire Mesh Overscreen	100	5000120	Wire Mesh Overscreen	100	5000270
Wire Mesh Overscreen	120	5000130	Wire Mesh Overscreen	120	5000280
Wire Mesh Overscreen	150	5000140	Wire Mesh Overscreen	150	5000290
Wire Mesh Overscreen	200	5000150	Wire Mesh Overscreen	200	5000300
Description	Mesh Size	Part #	Description	Mesh Size	Part #
3" Dia. x 30 3/4" Length (LONG)			3 1/2" Dia. x 30 3/4" Length (LONG)		
Wire Mesh Overscreen	10	5000510	Wire Mesh Overscreen	10	5000310
Wire Mesh Overscreen	12	5000520	Wire Mesh Overscreen	12	5000320
Wire Mesh Overscreen	14	5000530	Wire Mesh Overscreen	14	5000330
Wire Mesh Overscreen	16	5000540	Wire Mesh Overscreen	16	5000340
Wire Mesh Overscreen	18	5000550	Wire Mesh Overscreen	18	5000350
Wire Mesh Overscreen	20	5000560	Wire Mesh Overscreen	20	5000360
Wire Mesh Overscreen	24	5000570	Wire Mesh Overscreen	24	5000370
Wire Mesh Overscreen	30	5000580	Wire Mesh Overscreen	30	5000380
Wire Mesh Overscreen	40	5000590	Wire Mesh Overscreen	40	5000390
Wire Mesh Overscreen	50	5000595	Wire Mesh Overscreen	50	5000395
Wire Mesh Overscreen	60	5000600	Wire Mesh Overscreen	60	5000400
Wire Mesh Overscreen	80	5000610	Wire Mesh Overscreen	80	5000410
Wire Mesh Overscreen	100	5000620	Wire Mesh Overscreen	100	5000420
Wire Mesh Overscreen	120	5000630	Wire Mesh Overscreen	120	5000430
Wire Mesh Overscreen	150	5000640	Wire Mesh Overscreen	150	5000440
Wire Mesh Overscreen	200	5000650	Wire Mesh Overscreen	200	5000450



Tee-Line Strainers

Protect Your Pumps and Equipment

Sani-Matic Tee-Line Strainers are designed to keep materials out of your pumps and process equipment.

Engineered with durability and simplicity in mind, the tri-clamp connection allows for quick Element Insert removal and easy cleaning. Tee-Line Strainers are also available with alignment pins to ensure proper installation.

Purchasing the complete assembly – tee, insert, gasket and tri-clamp – is recommended to ensure a proper fit.



Food & Beverage

Bio-Pharm

Sanitary Components

Services





QUICK TIPS

Want an economical and easy way to prolong the life of your equipment?

Install Tee-Line Strainers at the suction end of the pump to protect the pump, process equipment and valves from foreign materials, such as gasket pieces, bolts, and other items.

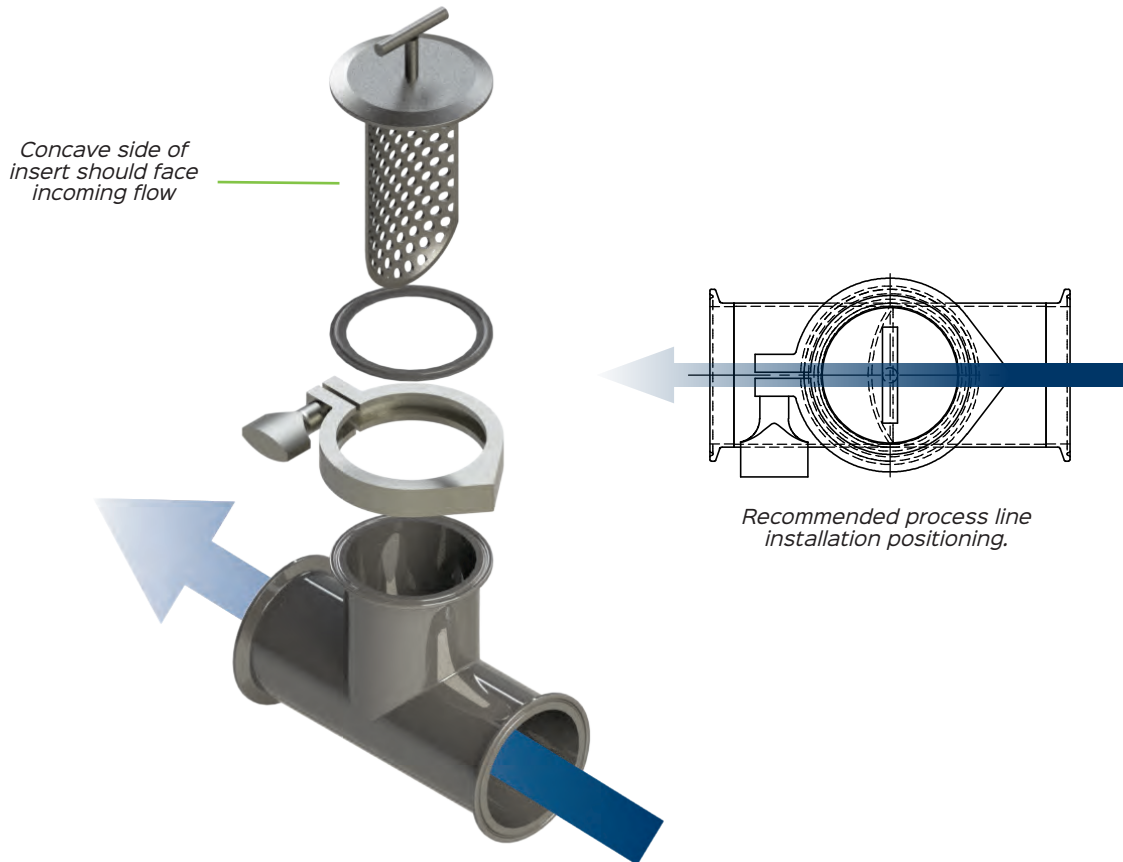


How should the insert be positioned?

The concave side of the insert (or scooped side) should be positioned facing the incoming flow. The insert handle should be positioned perpendicular to the line.

GOOD TO KNOW

- **Strainer & Element Material:** 316L stainless steel
- **Full Assembly Maximum Pressure Rating (Standard Tri-Clamp):** 125 psi (up to 4" body) / 75 psi (6" body)
- **Full Assembly Maximum Pressure Rating (High Pressure Tri-Clamp):** 200 psi
- **Maximum Temperature Rating:** 250 °F
- The open area of perforation exceeds the line size diameter
- The Tee-Line Strainer with alignment pin keeps the insert properly positioned
- Connection size and body size are always equal
- Tuf-Flex® Gaskets are PTFE gaskets with an EPDM core - they help reduce "stickiness" of the gasket allowing for an easier and quicker strainer element removal process.



Tee-Line Strainer Model Number Key

Example Model #: TX15T7-P125X01500



1	Strainer Model	T	Tee-Line
2	Body Length	X	Standard Body
3, 4	Connection Size	15	1.5"
		20	2.0"
		25	2.5"
		30	3.0"
		40	4.0"
		60	6.0**
5	Connection Type	T	Tri-Clamp (Standard)
		H	Tri-Clamp - High Pressure Clamp
		W	Butt Weld*
6	Finish / Polish	7	Bead Blast Insert & 32 µin Ra / Mechanical Polish Body (Standard)
		3	32 µin Ra / Mechanical Polish Body & Insert*
		1	20 µin Ra / Mechanical Polish Body & Insert*
		8	32 µin Ra / Electropolish Body & Insert*
		4	15 µin Ra / Electropolish Body & Insert*
7-10	Element Type / Size	P062	Perforated / 0.0625" (1/16")*
		P125	Perforated / 0.125" (1/8")
		P250	Perforated / 0.25" (1/4")
11	Flow Direction	X	Standard Flow
12	Seal Kit	0	EPDM (Standard)
		T	Tuf-Flex Gasket
		1	Viton
		3	Buna-N
13, 14	Body Size	15	1.5"
		20	2.0"
		25	2.5"
		30	3.0"
		40	4.0"
		60	6.0**
15	Option #1	0	None (Standard)
		A	Alignment Pin
16	Option #2	0	None (Standard)

***Non-stock product option. Longer lead times will apply.**

NOTE: Connection size and body size are always equal.

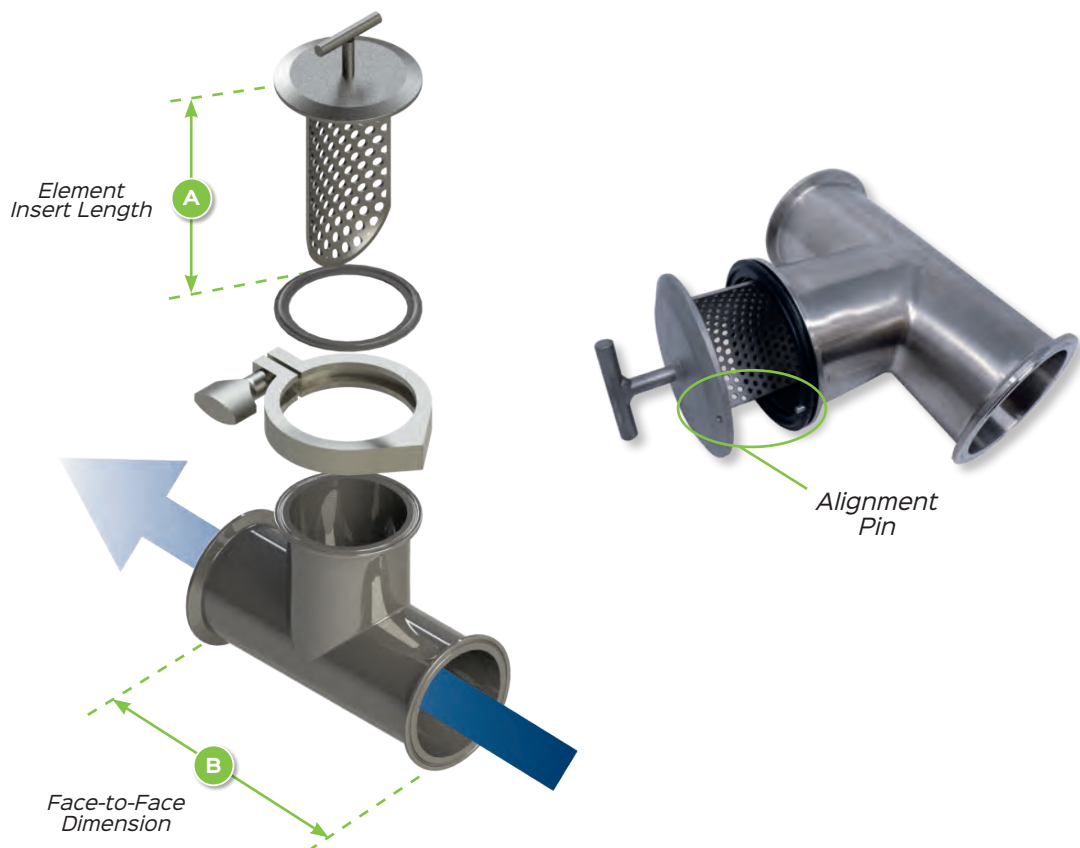
NOTE: Alignment pin only available with EPDM seal kit.

Reference: Part Number & New Model Number Comparison

Connection Size	Perforated Hole Size	Element Insert Length A	Face-to-Face Tee Dimension B	Tee-Line Part #	Tee-Line New Model Key #	Tee-Line w/ Alignment Pin Part #	Tee-Line w/ Alignment Pin New Model Key #
1.5"	1/8"	3.50"	5.5"	105712	TX15T7-P125X01500	112278	TX15T7-P125X015A0
1.5"	1/4"	3.50"	5.5"	105727	TX15T7-P250X01500	242321	TX15T7-P250X015A0
2.0"	1/8"	4.50"	7.0"	105719	TX20T7-P125X02000	110840	TX20T7-P125X020A0
2.0"	1/4"	4.50"	7.0"	105730	TX20T7-P250X02000	157689	TX20T7-P250X020A0
2.5"	1/8"	4.75"	7.0"	105721	TX25T7-P125X02500	204996	TX25T7-P125X025A0
2.5"	1/4"	4.75"	7.0"	105732	TX25T7-P250X02500	114697	TX25T7-P250X025A0
3.0"	1/8"	5.25"	7.5"	105723	TX30T7-P125X03000	119119	TX30T7-P125X030A0
3.0"	1/4"	5.25"	7.5"	105734	TX30T7-P250X03000	117029	TX30T7-P250X030A0
4.0"	1/8"	6.50"	9.0"	105725	TX40T7-P125X04000	178006	TX40T7-P125X040A0
4.0"	1/4"	6.50"	9.0"	105736	TX40T7-P250X04000	179119	TX40T7-P250X040A0
6.0"	1/8"	9.375"	13.0"	110165	TX60T7-P125X06000*	284367	TX60T7-P125X060A0*
6.0"	1/4"	9.375"	13.0"	110166	TX60T7-P250X06000*	276900	TX60T7-P250X060A0*

**Non-stock product option. Longer lead times will apply.*

NOTE: Butt weld connection "B" dimension is different, see replacement part section for details.

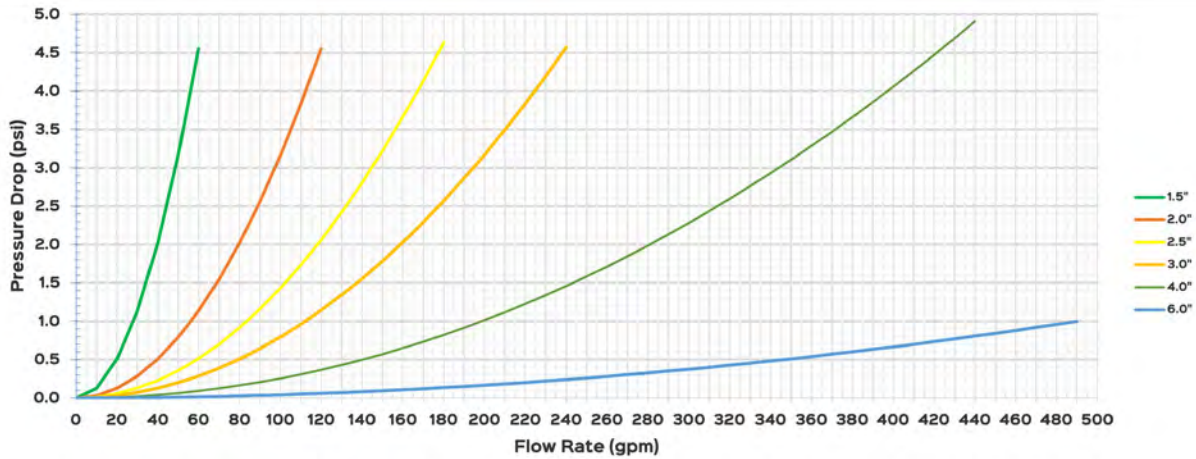


Cv Values & Pressure Drops for Tee-Line Strainers

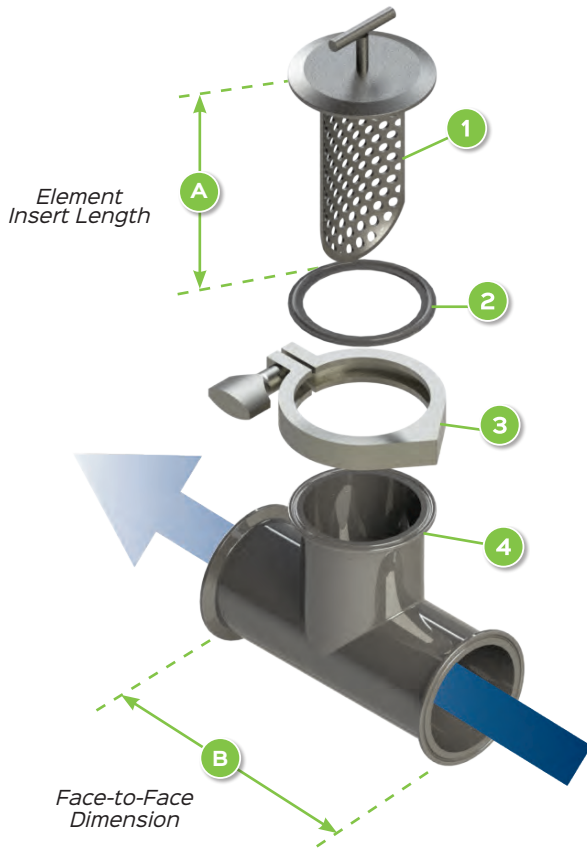
Cv values or the provided pressure drop tables can be used to estimate the pressure drop across a strainer for a strainer specification at a given flow rate. Contact Sani-Matic for inquiries on pressure drops for fluids with other viscosities.

Perforated Element Size	Connection Size	Cv
1/4"	1.5"	28
	2.0"	56
	2.5"	84
	3.0"	112
	4.0"	199
	6.0"	490

Tee-Line Strainer Pressure Drop - 1/4" Perforated



Tee-Line Strainer Replacement Parts



- 1 Element Insert
- 2 Gasket
- 3 Clamp
- 4 Strainer Body



1 Element Inserts

Connection Size	Perforated Hole Size	Element Insert Length A	Insert w/o Alignment Pin Part #	Insert w/ Alignment Pin Part #
1.5"	1/16"	3.50"	740749*	289398*
1.5"	1/8"	3.50"	740754	285880
1.5"	1/4"	3.50"	740759	285881
2.0"	1/16"	4.50"	740750*	289399*
2.0"	1/8"	4.50"	740755	285882
2.0"	1/4"	4.50"	740760	158017
2.5"	1/16"	4.75"	740751*	289400*
2.5"	1/8"	4.75"	740756	285883
2.5"	1/4"	4.75"	740761	285857
3.0"	1/16"	5.25"	740752*	289401*
3.0"	1/8"	5.25"	740757	285013
3.0"	1/4"	5.25"	740762	269047
4.0"	1/16"	6.50"	740753*	289402*
4.0"	1/8"	6.50"	740758	285884
4.0"	1/4"	6.50"	740763	285885
6.0"	1/16"	9.375"	289393*	289403*
6.0"	1/8"	9.375"	740991*	285886*
6.0"	1/4"	9.375"	741035*	285887*

*Non-stock product option. Longer lead times will apply.

NOTE: If not using Sani-Matic Tee-Line Strainer body, customer must supply a tee-line strainer body to match insert length.

NOTE: Other perforated hole sizes are available.

2 Gaskets

Connection Size	EPDM Gaskets w/o Alignment Pin Part #	EPDM Gaskets w/ Alignment Pin Part #	Tuf-Flex Part #
1.5"	021027	020455	046735
2.0"	021028	258816	046736
2.5"	021029	277242	046737
3.0"	021030	277243	046738
4.0"	021031	277244	046739
6.0"	022975	277245	046740

NOTE: EPDM is the standard. Other gasket materials are available.



3 Clamps

Connection Size	Standard Clamp Part #	High Pressure Clamp Part #
1.5"	020081	020912
2.0"	020082	020913
2.5"	020083	020914
3.0"	020084	020915
4.0"	020225	020916
6.0"	020976	025686

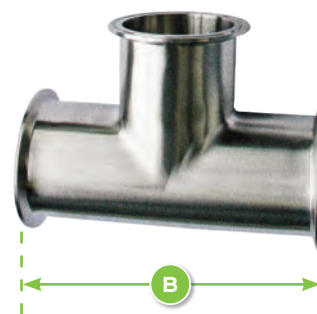


Standard Clamp

4 Strainer Body

Tri-Clamp Connection Size	Face-to-Face Tee Dimension (TC Connections) B	Face-to-Face Tee Dimension (Butt Weld Connections) B	Tee-Line Body w/o Alignment Pin Part #	Tee-Line Body w/ Alignment Pin Part #
1.5"	5.5"	3.312"	020901	288162
2.0"	7.0"	4.125"	020902	288163
2.5"	7.0"	4.687"	020903	288164
3.0"	7.5"	5.187"	020904	288165
4.0"	9.0"	7.250"	020905	288166
6.0"	13.0"	11.25"	034337*	288167*

*Non-stock product option.



Face-to-Face Dimension

ID Tag

Custom tag your components with an engraved stainless steel tag, affixed to the component using ball chain. Up to 10 characters can be specified.

Description	Part #
ID Tag, 2.0" x 0.5", 304ss	720826



Y-Strainers

● Small Footprint, Big Increase in Productivity

Sani-Matic Y-Strainers are designed to fit into tight piping configurations and provide quick access to the straining element for easy cleaning. The high-quality, durable strainers are made in the USA, which allows fast turnaround times.

Sani-Matic Y-Strainers are engineered and manufactured with a close-tolerance fit (0.010") at the base of the element and do not require an O-ring. Fewer parts result in simpler maintenance and less downtime – increasing production performance and saving you time and money.



Sani-Matic's standard Y-Strainers are 3-A Certified when a perforated element is used.

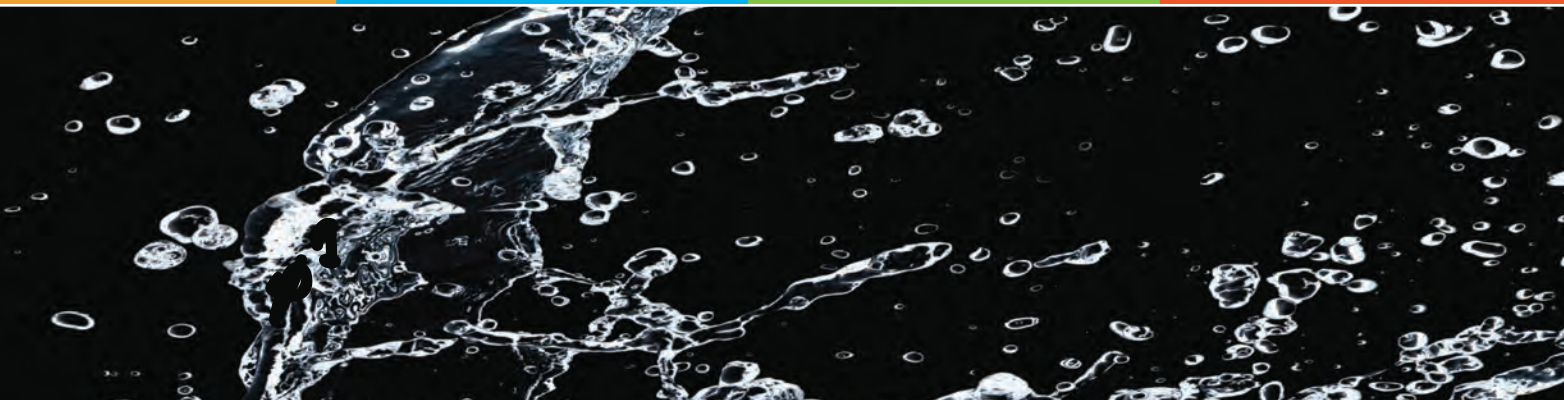


Food & Beverage

Bio-Pharm

Sanitary Components

Services



QUICK TIPS

How do you install a Y-Strainer?

The Y-Strainer should be installed in the process line with the Element's handle pointing toward the floor.

Why are Y-Strainers perfect for manufacturing chocolate?

Sani-Matic's custom-designed hot water jackets can help keep confectionery products, such as chocolate, flowing through the production lines.

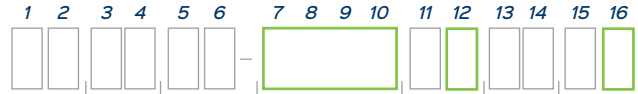
GOOD TO KNOW

- **Strainer & Element Material:** 316L stainless steel
- **Sanitary ID Finish:** 32 μ in Ra
- **Maximum Temperature Rating:** 250 °F
- **Full Assembly Maximum Pressure Rating (Standard Tri-Clamp):** 125 psi (4" Body) / 75 psi (6" Body)
- **Full Assembly Maximum Pressure Rating (High Pressure Tri-Clamp):** 200 psi (4" and 6" body)
- Wedgewire elements have some interior surfaces greater than 32 μ in Ra due to the construction process.
- Hot water jacket is available in 4" body size and 1.5"-3.0" connection sizes
- Perforated or wedgewire strainer elements are interchangeable
- Filter tubes are FDA compliant, and when used with perforated elements $\frac{3}{32}$ " or larger maintain overall strainer assembly 3-A certification.
- Tuf-Flex® Gaskets are PTFE gaskets with an EPDM core - they help reduce "stickiness" of the gasket allowing for an easier and quicker strainer element removal process.



Y-Strainer Model Number Key

Example Model #: YX15T3-P125X04000



1	Strainer Model	Y	Y-Strainers
2	Body Length	X	Standard Body
3, 4	Connection Size	15	1.5"
		20	2.0"
		25	2.5"
		30	3.0"
		40	4.0"
5	Connection Type	T	Tri-Clamp (Standard)
		H	Tri-Clamp - High Pressure Clamp
		W	Butt Weld*
6	Finish / Polish	3	32 µin Ra / Mechanical Polish (Standard)
		1	20 µin Ra / Mechanical Polish*
		8	32 µin Ra / Electropolish*
		4	15 µin Ra / Electropolish*
7-10	Element Type / Size	P125	Perforated / 0.125" (1/8")
		P250	Perforated / 0.25" (1/4")
		W010	Wedgewire / 0.010"
		W015	Wedgewire / 0.015"
		W020	Wedgewire / 0.020"
		W030	Wedgewire / 0.030"
		W040	Wedgewire / 0.040"
		W060	Wedgewire / 0.060"
11	Flow Direction	X	Standard Flow
12	Seal Kit	0	EPDM (Standard)
		T	Tuf-Flex Gasket
		1	Viton
		3	Buna-N
13, 14	Body Size	40	4.0"
		60	6.0"
15	Option #1	0	None (Standard)
16	Option #2	0	None (Standard)
		2	Dual Sight Glass*
		D	Drain / Sample Port*
		3	Dual Sight Glass & Drain / Sample Port*

***Non-stock product option. Longer lead times will apply.**

NOTE: 4.0" Connection Size is the only size that uses a 6.0" Body Size.

Reference: Former Part Number & New Model Number Comparison

Reference Model Number Key for selections to be made. Selections are designated by empty **green** boxes in the table below.

Perforated Strainer Elements							
Strainer Body Size	Connection Size	Face-to-Face Dimension	Old Part #	New Model Key #	Max. gpm	Y-Strainer w/ Dual Sight Glass Old Part #	Y-Strainer w/ Dual Sight Glass New Model Key #
4"	1.5"	10"	Y10015	YX15T3-P <input type="text"/> X <input type="text"/> 400 <input type="text"/>	70	Y10115	YX15T3-P <input type="text"/> X <input type="text"/> 4002
4"	2.0"	11"	Y10020	YX20T3-P <input type="text"/> X <input type="text"/> 400 <input type="text"/>	130	Y10120	YX20T3-P <input type="text"/> X <input type="text"/> 4002
4"	2.5"	12"	Y10025	YX25T3-P <input type="text"/> X <input type="text"/> 400 <input type="text"/>	205	Y10125	YX25T3-P <input type="text"/> X <input type="text"/> 4002
4"	3.0"	14"	Y10030	YX30T3-P <input type="text"/> X <input type="text"/> 400 <input type="text"/>	300	Y10130	YX30T3-P <input type="text"/> X <input type="text"/> 4002
6"	4.0"	17"	Y10040	YX40T3-P <input type="text"/> X <input type="text"/> 600 <input type="text"/>	450	Y10140	YX40T3-P <input type="text"/> X <input type="text"/> 6002

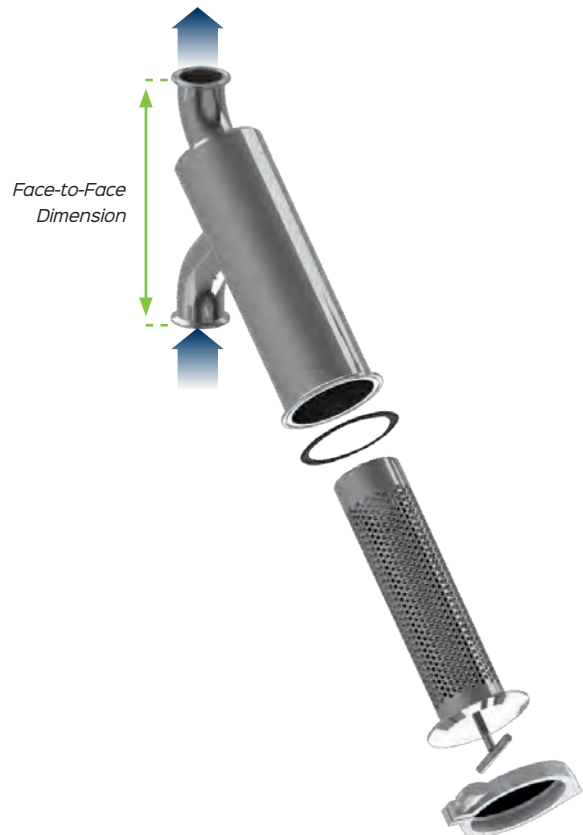
Wedgewire Strainer Elements							
Strainer Body Size	Connection Size	Face-to-Face Dimension	Old Part #	New Model Key #	Max. gpm	Y-Strainer w/ Dual Sight Glass Old Part #	Y-Strainer w/ Dual Sight Glass New Model Key #
4"	1.5"	10"	Y20015	YX15T3-W <input type="text"/> X <input type="text"/> 400 <input type="text"/>	70	Y20115	YX15T3-W <input type="text"/> X <input type="text"/> 4002
4"	2.0"	11"	Y20020	YX20T3-W <input type="text"/> X <input type="text"/> 400 <input type="text"/>	130	Y20120	YX20T3-W <input type="text"/> X <input type="text"/> 4002
4"	2.5"	12"	Y20025	YX25T3-W <input type="text"/> X <input type="text"/> 400 <input type="text"/>	205	Y20125	YX25T3-W <input type="text"/> X <input type="text"/> 4002
4"	3.0"	14"	Y20030	YX30T3-W <input type="text"/> X <input type="text"/> 400 <input type="text"/>	300	Y20130	YX30T3-W <input type="text"/> X <input type="text"/> 4002
6"	4.0"	17"	Y20040	YX40T3-W <input type="text"/> X <input type="text"/> 600 <input type="text"/>	450	Y20140	YX40T3-W <input type="text"/> X <input type="text"/> 6002

NOTE: 4.0" Connection Size is the only size that uses a 6.0" Body Size.

Y-Strainer Options

The Drain / Sample Port helps operators drain the majority of liquid from the strainers before removing the element for cleaning. Air relief sample valves are recommended for the Drain / Sample Port option.

Strainer sight glasses provide visual access to particulate buildup levels.

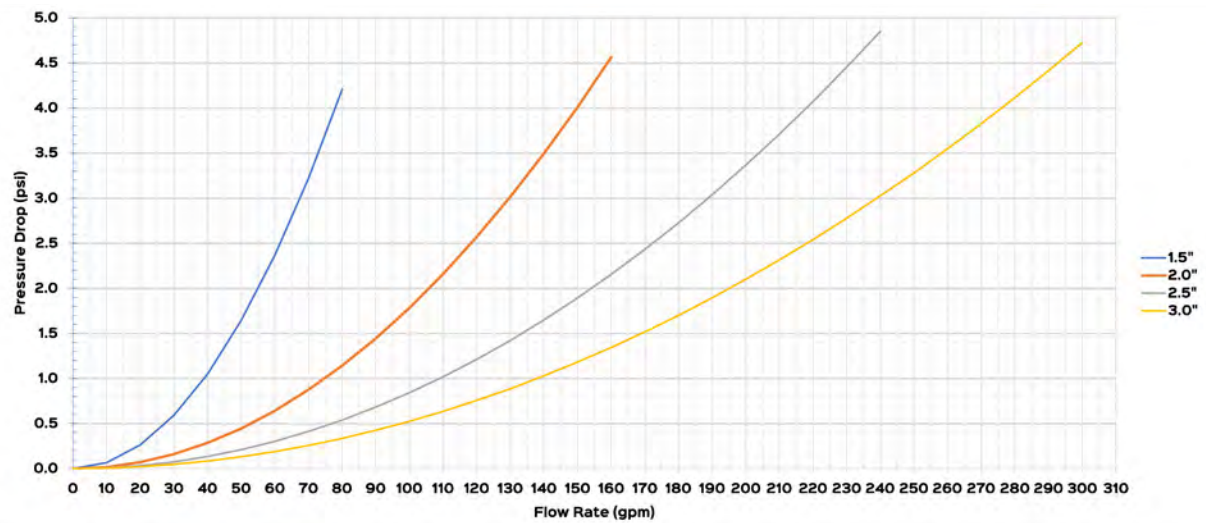


Cv Values & Pressure Drops for Y-Strainers

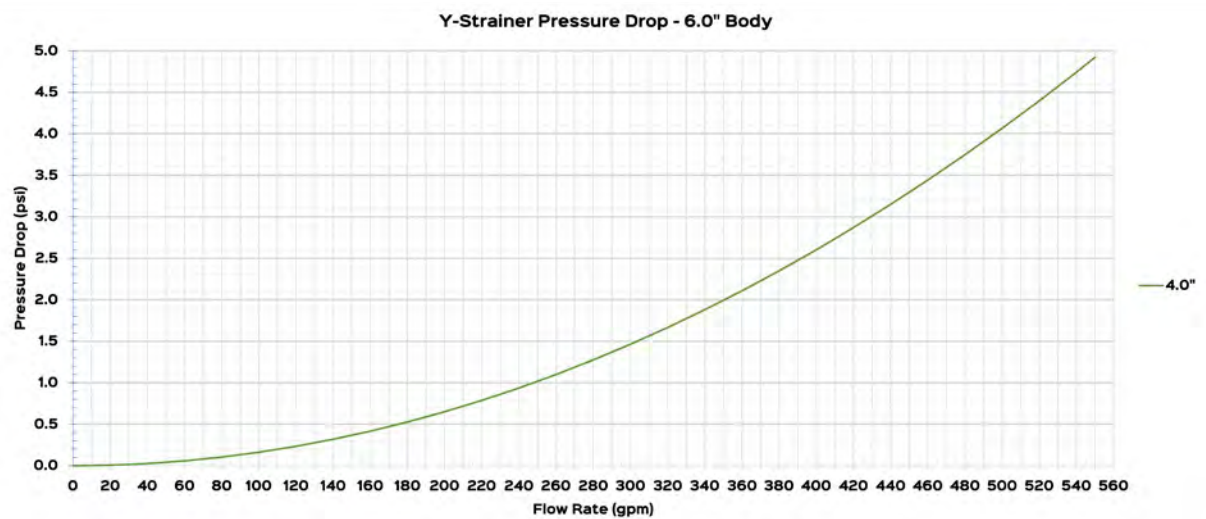
Cv values or the provided pressure drop tables can be used to estimate the pressure drop across a strainer for a strainer specification at a given flow rate. Contact Sani-Matic for inquiries on pressure drops for fluids with other viscosities.

Strainer Body Size	Connection Size	Cv
4.0"	1.5"	39
	2.0"	75
	2.5"	109
	3.0"	138
6.0"	4.0"	248

Y-Strainer Pressure Drop: 4.0" Body



Y-Strainer Pressure Drop: 6.0" Body



NOTE: Cv values and charted pressure drops can be used for perforated, wedgewire, and perforated with mesh overlays or filter tubes. The clean pressure drop is minimally impacted by the element configuration in most cases. For worst-case calculations, add 20% to the calculated pressure drop.

Y-Strainer Replacement Parts

- 1 Strainer Element
- 2 Clamp
- 3 Gasket
- 4 Strainer Body
- 5 Sight Glass Replacement



1 Strainer Elements

Perforated Element		
Hole Size	For 4" Strainer Body Size ¹ Part #	For 6" Strainer Body Size ² Part #
1/8"	700226	700513
1/4"	240959	700524

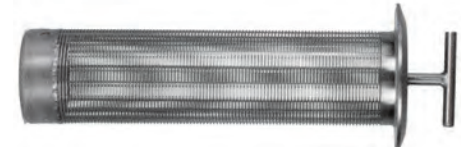
NOTE: Other sizes are available.

Wedgewire Element		
Slot Size	For 4" Strainer Body Size ³ Part #	For 6" Strainer Body Size ⁴ Part #
0.010"	700232	700504
0.015"	700164	700505
0.020"	700234*	700506*
0.030"	700236	700507
0.040"	700238*	700508*
0.060"	700240	700509

^{1,3} Perforated and Wedgewire elements for a 4" body diameter maintain a 3" diameter.

^{2,4} Perforated and Wedgewire elements for a 6" body diameter maintain a 4" diameter.

*Non-stock product option.



2 Clamps

Clamp Type	For 4" Body Size Part #	For 6" Body Size Part #
Standard	020225	020976
High Pressure	020916	025686



Standard Clamp

3 Gaskets

Material	For 4" Body Size Part #	For 6" Body Size Part #
EPDM (Standard)	021031	022975
Viton	020474	023847
Buna-N	020226	020263
Tuf-Flex	046739	046740



4 Strainer Body

Tri-Clamp Connection Size	4" Body Size - Standard Part #	4" Body Size - Sight Glass Part #
1.5"	700249	103786
2.0"	700243	103779
2.5"	700245	103801
3.0"	700247	103805
Tri-Clamp Connection Size	6" Body Size - Standard Part #	6" Body Size - Sight Glass Part #
4.0"	700471	103810



5 Sight Glass Replacements

Description	Part #
VL-3A Sight Glass Assembly, 2.5" TC	056231
Metaglas® Sight Glass, 2.5" TC, 200 psi / 536 °F	047043
Clamp, 2.5"	020083
Gasket, 2.5", EPDM	021029



VL-3A Sight Glass

NOTE: Temperature ratings listed are for the sight glass and may be limited by connection clamp ratings.

NOTE: Metaglas® Sight Glass was used on strainers manufactured prior to 2022. This sight glass is not 3-A Certified.

NOTE: VL-3A Sight Glass Assemblies come with the sight glass, sight glass body, EPDM tri-clamp and sight glass gaskets, tri-clamp, and a tri-clamp short weld ferrule.

Sample Port Valve

Description	Part #
Sample Port Valve, Tri-Clamp, 0.5"	021881
Clamp, Tri-Clamp, Standard, 0.5-0.75"	020224
Gasket, Tri-Clamp, EPDM, 0.5"	021037

NOTE: Air relief sample valves are recommended for the Drain / Sample Port option.



ID Tag

Custom tag components with an engraved stainless steel tag, affixed to the component using ball chain. Up to 10 characters can be specified.

Description	Part #
ID Tag, 2.0" x 0.5", 304ss	720826



Y-Strainer Accessories

Filter Tubes: 4" Body Size • 50/Box

4 7/8" x 13 1/2" Filter Tubes (For 1.5", 2", 2.5", 3" and 4" connections). Fits 3" x 11" Perforated Element.

NOTE: Y-Strainer filter tubes require a custom strainer element.

Material	Width	Length	Max. Temperature (°F)	Micron	Part #
Nylon Multifilament	4 7/8"	13 1/2"	185 continuous, 455 short term	150	043742
Polyester Monofilament	4 7/8"	13 1/2"	270 continuous, 455 short term	250	042234
Plain Weave Cotton Cloth	4 7/8"	13 1/2"	300	270	048601
Nylon Monofilament	4 7/8"	13 1/2"	275	400	031126
Polyester Multifilament	4 7/8"	13 1/2"	270 continuous, 455 short term	400	043743

NOTE: Other micron sizes are available.

Wire Mesh Overlays (For Y-Strainers using perforated elements)

Wire Mesh Overlay - 4" Body Size		Wire Mesh Overlay - 6" Body Size	
Mesh Size	Part #	Mesh Size	Part #
10	032867	10	032876
20	032868	20	032877
30	032869	30	032878
40	032870	40	032879
50	032871	50	032880
60 ¹	032872	60 ¹	032881
80 ¹	032873	80 ¹	032882
100 ¹	032874	100 ¹	032883
120 ¹	032875	120 ¹	032884

¹Due to the 0.010" fit of the Y-Strainer Element, mesh sizes 60 to 120 may not capture the particles intended with finer mesh.

NOTE: Use of wire mesh overlay is not compliant with 3-A standard.

Basket Strainers

● High Volume, High Performance

Sani-Matic Basket Strainers are specially constructed to strain particulates out of a high-volume process stream. The innovative, durable design includes a side-inlet, which allows you to easily remove the basket for cleaning without disconnecting the line.

Our Basket Strainers can be equipped with either a wedgewire or perforated element. Filter bags can be used for finer straining applications and are available in a wide variety of media types and micron sizes.

The strainer's lid and hand knob closure are rated for higher pressures than clamp-style covers, which improves operator safety.

Multi-Basket Strainers can be used to minimize downtime for heavy straining requirements, where one strainer can be serviced and cleaned while the other is valved open and operational. In addition, both strainers can be used simultaneously for applications such as high viscosity products where larger pressure drop across a single strainer is a concern.



Sani-Matic's standard Basket Strainers are 3-A Certified when used with a perforated element. If 3-A certification is required, contact a Sani-Matic representative to ensure the configuration meets all 3-A standards.

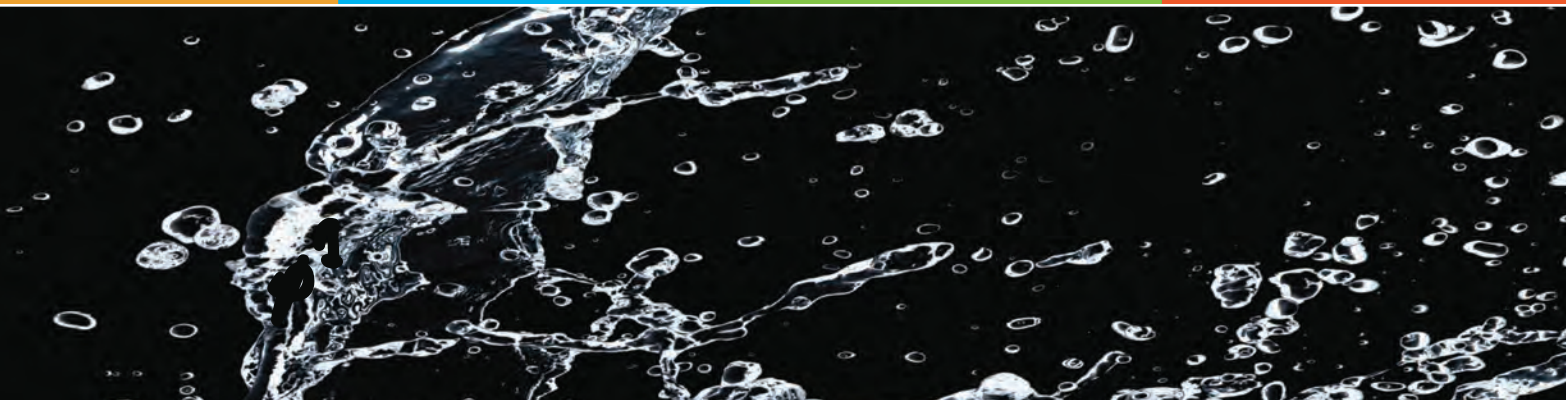


Food & Beverage

Bio-Pharm

Sanitary Components

Services



QUICK TIPS

How do we know the Sani-Matic Basket Strainer can capture a large amount of particulate from your high-volume process?

Each of the basket strainers manufactured is pressure tested to 100 psi using a hydrostatic water test for quality assurance.

Are filter bags 3-A Certified?

While filter bags can be used with perforated elements for finer straining applications, they are not 3-A Certified.

Note: Filter bags require clamp ring and locking latch which are sold separately.

When there is a heavy soil load, how can we remove the strainer element?

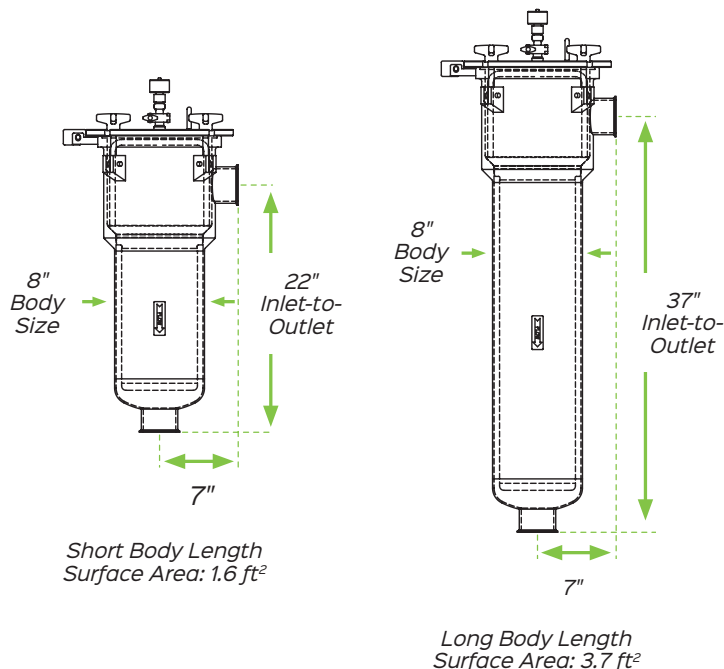
An overhead crane may be needed to remove strainers containing heavy soil.

Why is the standard sample / air relief valve important?

The sample / air relief vent valve is used to relieve line pressure prior to opening the basket strainer cover.

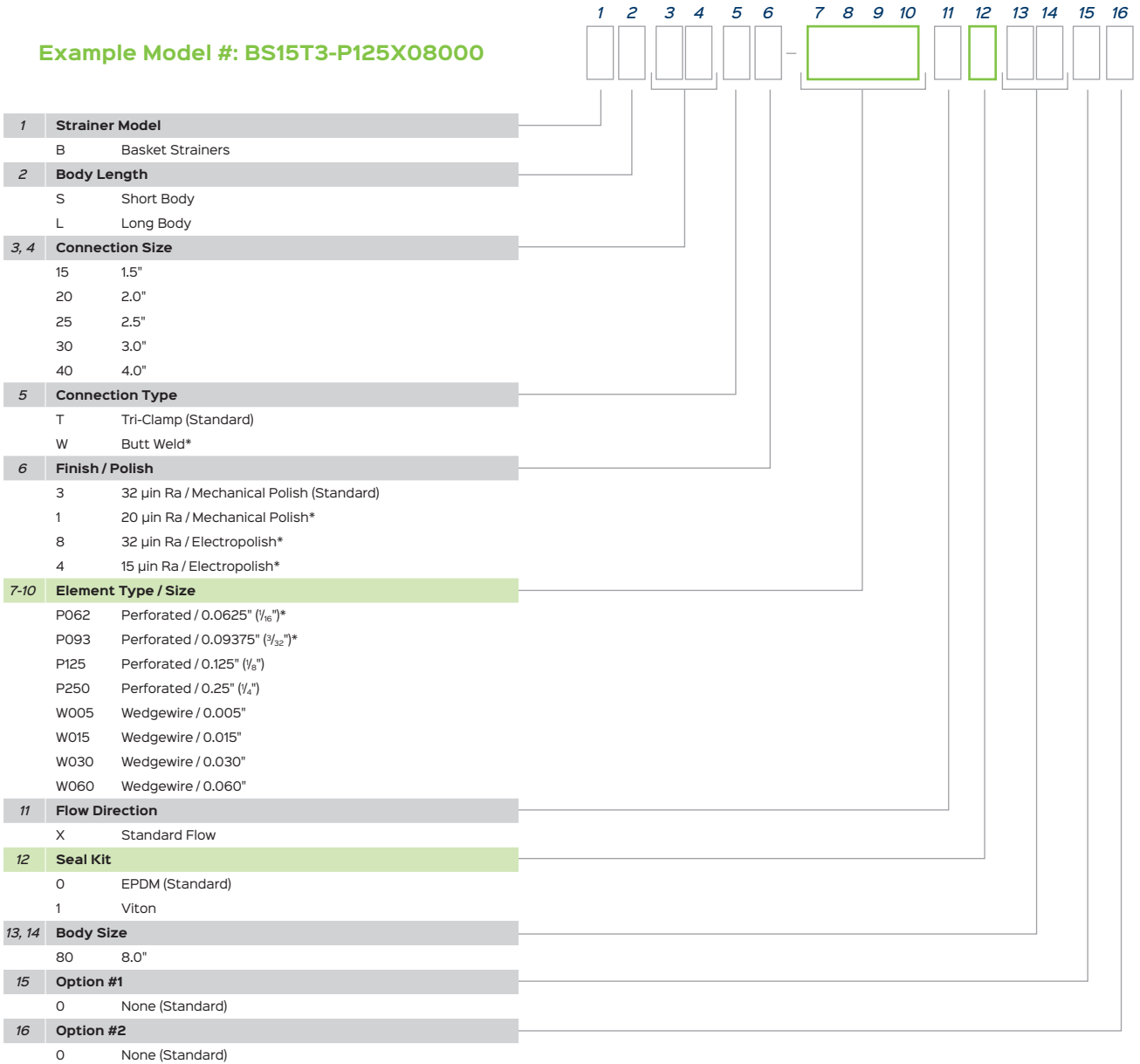
GOOD TO KNOW

- **Material:** Cast and heavy gauge 316L stainless steel
- **Pressure Rating:** 100 psi max @ 200 °F (liquid service only)
- **Sanitary ID Finish:** 32 μ in Ra
- **Short Body Length Approximate Weight:** 110 lbs.
- **Long Body Length Approximate Weight:** 130 lbs.
- A complete assembly includes a strainer body, element, cover O-ring, element O-ring, sample valve, and vent valve clamp & gasket



Basket Strainer Model Number Key

Example Model #: BS15T3-P125X08000



*Non-stock product option. Longer lead times will apply.

Reference: Former Part Number & New Model Number Comparison

Reference Model Number Key for selections to be made. Selections are designated by empty **green** boxes in the table below.

Perforated Strainer Element				
Connection Size	Body Length	Max. gpm	Old Part #	New Model Key #
1.5"	SHORT (22")	70	S10501	BS15T3-P <input type="text"/> X <input type="text"/> 8000
2.0"	SHORT (22")	130	S10502	BS20T3-P <input type="text"/> X <input type="text"/> 8000
2.5"	SHORT (22")	205	S10503	BS25T3-P <input type="text"/> X <input type="text"/> 8000
3.0"	SHORT (22")	300	S10504	BS30T3-P <input type="text"/> X <input type="text"/> 8000
4.0"	SHORT (22")	540	S10520	BS40T3-P <input type="text"/> X <input type="text"/> 8000
1.5"	LONG (37")	70	S10505	BL15T3-P <input type="text"/> X <input type="text"/> 8000
2.0"	LONG (37")	130	S10506	BL20T3-P <input type="text"/> X <input type="text"/> 8000
2.5"	LONG (37")	205	S10507	BL25T3-P <input type="text"/> X <input type="text"/> 8000
3.0"	LONG (37")	300	S10508	BL30T3-P <input type="text"/> X <input type="text"/> 8000
4.0"	LONG (37")	540	S10509	BL40T3-P <input type="text"/> X <input type="text"/> 8000
Wedgewire Strainer Element				
Connection Size	Body Length	Max. gpm	Old Part #	New Model Key #
1.5"	SHORT (22")	70	S10510	BS15T3-W <input type="text"/> X <input type="text"/> 8000
2.0"	SHORT (22")	130	S10511	BS20T3-W <input type="text"/> X <input type="text"/> 8000
2.5"	SHORT (22")	205	S10512	BS25T3-W <input type="text"/> X <input type="text"/> 8000
3.0"	SHORT (22")	300	S10513	BS30T3-W <input type="text"/> X <input type="text"/> 8000
4.0"	SHORT (22")	540	S10514	BS40T3-W <input type="text"/> X <input type="text"/> 8000
1.5"	LONG (37")	70	S10515	BL15T3-W <input type="text"/> X <input type="text"/> 8000
2.0"	LONG (37")	130	S10516	BL20T3-W <input type="text"/> X <input type="text"/> 8000
2.5"	LONG (37")	205	S10517	BL25T3-W <input type="text"/> X <input type="text"/> 8000
3.0"	LONG (37")	300	S10518	BL30T3-W <input type="text"/> X <input type="text"/> 8000
4.0"	LONG (37")	540	S10519	BL40T3-W <input type="text"/> X <input type="text"/> 8000



NOTE: Contact Sani-Matic for basket strainer Cv information.

Basket Strainer Replacement Parts



NOTE: Cover O-ring and Vent Valve Gasket are not shown in image.

1 Strainer Elements

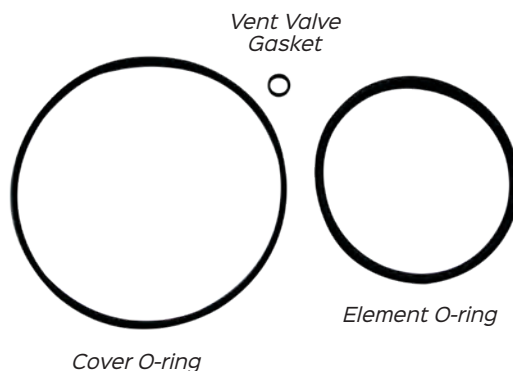
Perforated Strainer Element		
Hole Size	Body Length (SHORT) Part #	Body Length (LONG) Part #
1/16"	278388*	278391*
3/32"	163596*	124828*
1/8"	741039	741052
1/4"	741051	741054
Wedgewire Strainer Element		
Slot Size	Body Length (SHORT) Part #	Body Length (LONG) Part #
0.005"	741022	741047
0.015"	741030	741048
0.030"	741046	741049
0.060"	167384	198957



*Non-stock product option. Longer lead times will apply.

2 Basket Strainer Seal Kit Parts

Cover O-ring	Part #
EPDM (Standard)	021378
Viton	021144
Element O-ring	Part #
EPDM (Standard)	021356
Viton	021143
Sample / Vent Valve Gasket	Part #
EPDM (Standard)	021037
Viton	028725



3 Filter Bags • 50/box

22" SHORT Basket Strainers		
Micron	Material	Part #
1	Polypropylene	029244
5	Polypropylene	029245
10	Polypropylene	029246
10	Polyester Felt	031955
25	Polyester	040134
25	Polypropylene	029247
50	Polypropylene	029237
100	Polypropylene	029248
150	Nylon	029249
400	Nylon	040903
400	Polypropylene Monofilament	045387
600	Nylon Mesh	043768
800	Nylon	029250
1500	Polyester	029251
37" LONG Basket Strainers		
Micron	Material	Part #
1	Polypropylene	029252
5	Polypropylene	029253
10	Polypropylene	029254
25	Polypropylene	029255
50	Polypropylene	029256
50	Polyester	034820
100	Polypropylene	029257
100	Nylon	031268
150	Nylon	029259
250	Nylon	026262
300	Nylon	024098
400	Nylon	042110
600	Polypropylene	036642
800	Nylon	029261
1500	Polyester	029262



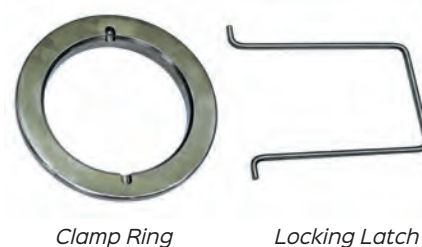
Filter Bag Notes:

- Filter bags are 7" diameter
- Sewn-in, stainless steel ring in top
- #1 bags are used for short (22") strainers
- #2 bags are used for short (37") strainers
- Filter bags require a media clamp ring & locking latch
- All bags are FDA compliant
- Micron rating is industry standard nominal rating with 75% efficiency
- 95% efficiency filter bags are available for some micron ratings upon request
- Filter bags are disposable and intended for single use

4 Filter Bag Clamp Parts

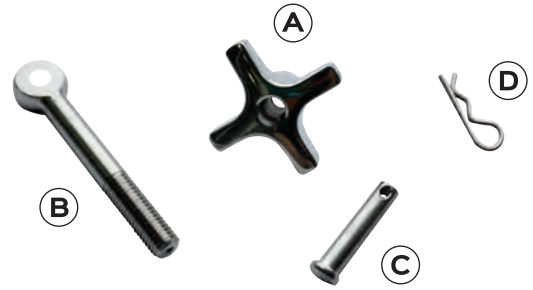
Description	Part #
Filter Bag Kit ¹	105937
Clamp Ring	641110
Locking Latch	621766

¹Includes clamp ring and locking latch.



5 Cover Hold-Down Parts

Description	Part #
Ⓐ Threaded Knob	021385
Ⓑ Swing Bolt	177476
Ⓒ Swing Bolt Clevis Pin	021382
Ⓓ Cover Hinge Clevis Pin	021383
Ⓔ Pin, Hair Pin	021384



NOTE: One Basket Strainer requires qty (4) of each Cover Hold-Down Part.

6 Sample Port Vent Valve

Description	Part #
Sample Port Valve, Tri-Clamp, 0.5"	021881
Clamp, 0.5" Connection Size	020224



ID Tag

Custom tag your components with an engraved stainless steel tag, affixed to the component using ball chain. Up to 10 characters can be specified.

Description	Part #
ID Tag, 2.0" x 0.5", 304ss	720826

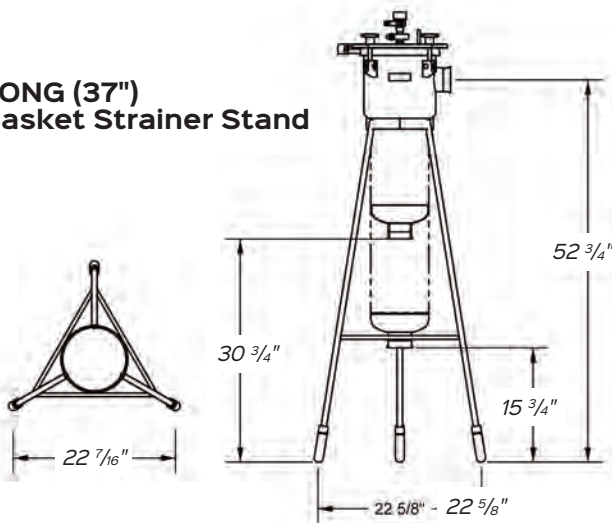


Basket Strainer Accessories

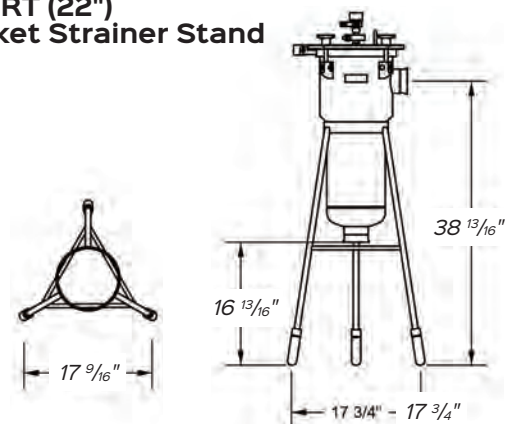
Basket Strainer Stand

Description	Material	Part #
Stand for SHORT Body Length	304 Stainless Steel	101998
Stand for LONG Body Length	304 Stainless Steel	741065

LONG (37") Basket Strainer Stand



SHORT (22") Basket Strainer Stand



Multi-Basket Strainer Model Number Key

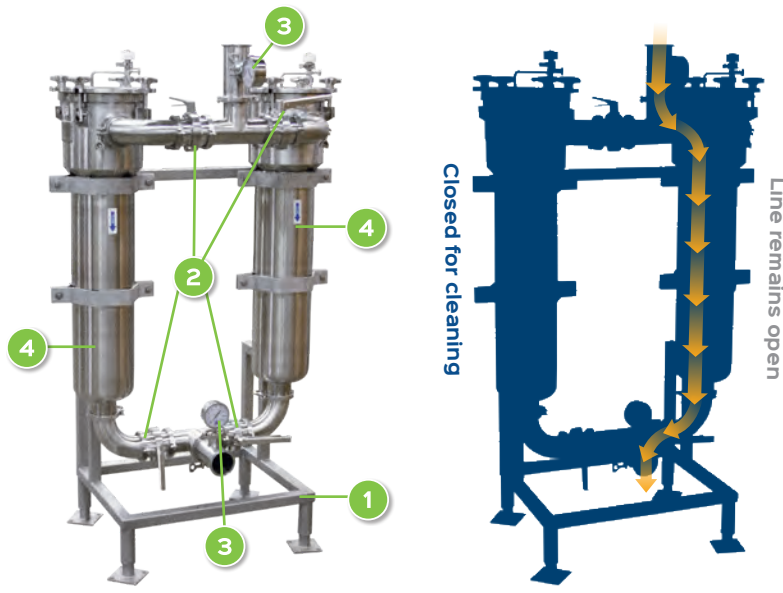
Example Model #:
MBDV-S15T3-P125X080001515



1, 2	Strainer Model	MB Multi-Basket Strainers
3, 4	Configuration Type	DV Dual Strainers - Vertical
5	Body Length	S Short Body L Long Body
6, 7	Connection Size	15 1.5" 20 2.0" 25 2.5" 30 3.0" 40 4.0"
8	Connection Type	T Tri-Clamp (Standard)
9	Finish / Polish	3 32 µin Ra / Mechanical Polish (Standard)
10-13	Element Type / Size	P062 Perforated / 0.0625" (1/16")* P093 Perforated / 0.09375" (3/32")* P125 Perforated / 0.125" (1/8") P250 Perforated / 0.25" (1/4") W005 Wedgewire / 0.005" W015 Wedgewire / 0.015" W030 Wedgewire / 0.030" W060 Wedgewire / 0.060"
14	Flow Direction	X Standard Flow
15	Seal Kit	0 EPDM (Standard) 1 Viton
16, 17	Body Size	80 8.0"
18	Option #1	0 None (Standard)
19	Option #2	0 None (Standard)
20, 21	Valve Kits	00 None 15 Valve Kit 1.5" Connection Size 20 Valve Kit 2.0" Connection Size 25 Valve Kit 2.5" Connection Size 30 Valve Kit 3.0" Connection Size 40 Valve Kit 4.0" Connection Size
22, 23	Pressure Gauge Kits	00 None 15 Pressure Gauge Kit 1.5" Connection Size 20 Pressure Gauge Kit 2.0" Connection Size 25 Pressure Gauge Kit 2.5" Connection Size 30 Pressure Gauge Kit 3.0" Connection Size 40 Pressure Gauge Kit 4.0" Connection Size

***Non-stock product option. Longer lead times will apply.**
 NOTE: The stand is included in all above configurations.

Multi-Basket Strainer Replacement Parts



Multi-Basket Strainers
Dual Strainers - Vertical
Complete Assembly

- 1 Dual Vertical Basket Strainer Stand
- 2 Valve Kit
- 3 Pressure Gauge Kit
- 4 Basket Strainers (2)

1 Dual Vertical Basket Strainer Stands

Connection Size	Recommended Maximum gpm	SHORT (22") Part #	LONG (37") Part #
1.5"	70	258688	258855
2.0"	130	258731	258861
2.5"	205	258845	258863
3.0"	300	258847	258868
4.0"	540	258849	258876

NOTE: Stands are approximately 80 lbs.



2 Valve Kits

Kit includes: Four (4) Elbows, two (2) Tees, four (4) VNE Butterfly Valves, twelve (12) Clamps, and twelve (12) Gaskets.

Material: 316L Stainless Steel

NOTE: Alternate valves available.

NOTE: Strainers are not included in the valve kit, they are sold separately.

Connection Size	Part #
1.5"	291142
2.0"	291143
2.5"	291144
3.0"	291145
4.0"	291146

3 Pressure Gauge Kit

Two (2) Sanitary Diaphragm-type Pressure Gauges, two (2) Tees, four (4) Gaskets and four (4) Clamps. Install before and after the strainer assembly. Pressure range for gauge is 0 to 160 psi. Gauge connection size is 1.5" TC for all kits.

Connection Size	Part #
1.5"	158581
2.0"	158585
2.5"	158591
3.0"	158593
4.0"	158596





Spray Devices

Complete Spray Solutions for Your Process

Sani-Matic has decades of experience in spray technology for the food & beverage, bio-pharm, personal care, and nutraceutical industries.

Sani-Matic experts evaluate applications and soils, from water-soluble to hard-to-clean, to determine whether a static spray ball, rotary, or jet spray device will best target equipment or process vessel soils. The team will design and manufacture static spray devices in our Wisconsin manufacturing center with the appropriate flows, pressures, and spray patterns to ensure efficient and dependable cleaning. If rotary or jet spray impingement solutions are required, we offer high-quality, German-manufactured products from AWH, Armaturenwerk Hötensleben GmbH, a member of NEUMO-Ehrenberg Group.

Many of Sani-Matic's standard static spray balls are designed and certified to the 78-03 (Spray Cleaning Devices Intended to Remain in Place) 3-A standard. When considering a custom static spray ball that requires 3-A certification, contact a Sani-Matic representative.

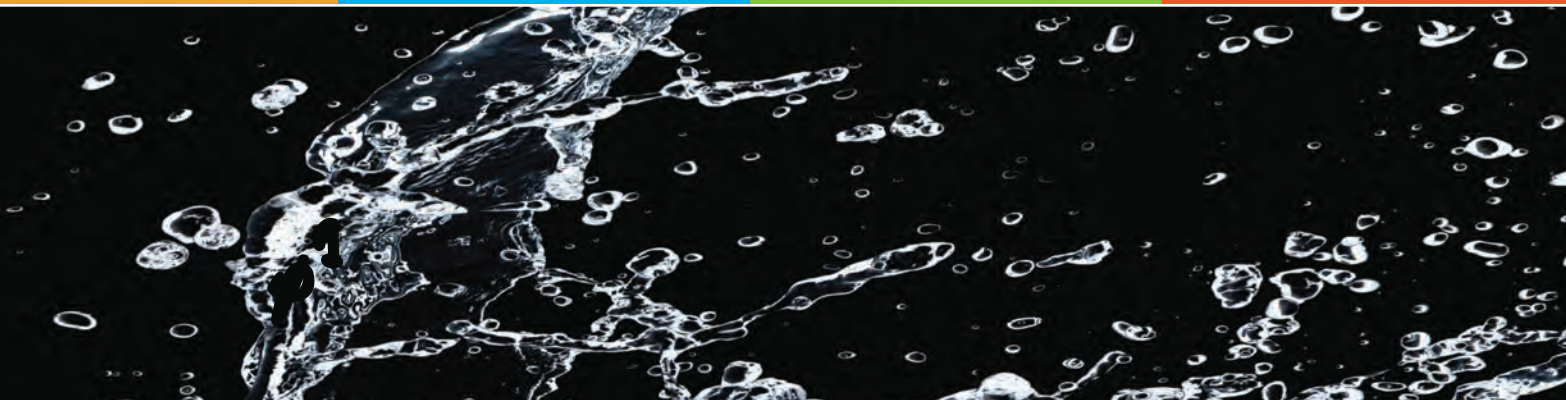


Food & Beverage

Bio-Pharm

Sanitary Components

Services



Sani-Matic Spray Device Families

Static Spray Balls



SB-1



SB-2



SB-4



SB-5



SB-6

Rotary Spray Devices

Free Rotation



TANKO RB



TANKO S



TANKO SF40

Controlled Rotation



TANKO CP

Jet Spray Devices



TANKO MX



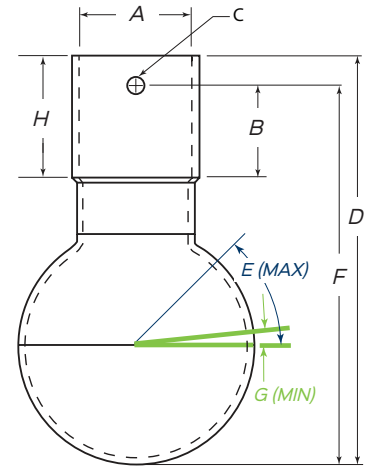
TANKO JM

Static Spray Balls

Static spray balls clean tanks and vessels by saturating them with a significant amount of fluid with high flow, and relatively low pressure. The solution cascades down the tank's sidewalls eroding water-soluble soils.

Spherical Static Spray Ball Type Dimensions

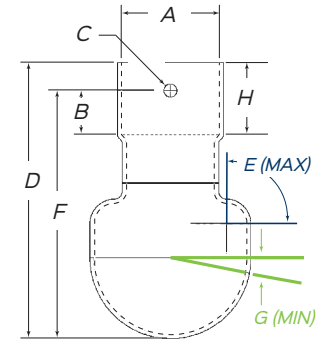
Ball Diameter	A	B	C	D	E (MAX)	F	G (MIN)	H
4.0"	Ø 2 1/2"	1"	Ø 13/64"	6 1/16"	48°	5 9/16"	11°	1 1/2"
	Ø 2"	1"	Ø 13/64"	5 15/16"	55°	5 1/2"	11°	1 7/16"
	Ø 1 1/2"	1 1/16"	Ø 13/64"	5 7/8"	62°	5 7/16"	11°	1 1/8"
	Ø 1"	3/8"	Ø 9/64"	5 3/8"	70°	5"	11°	3/4"
3.0"	Ø 2 1/2"	1"	Ø 13/64"	4 3/4"	32°	4 1/4"	11°	1 1/2"
	Ø 2"	1"	Ø 13/64"	4 13/16"	42°	4 3/8"	11°	1 7/16"
	Ø 1 1/2"	3/4"	Ø 13/64"	4 13/16"	55°	4 3/8"	11°	1 3/16"
	Ø 1"	3/8"	Ø 9/64"	4 5/16"	67°	3 15/16"	11°	3/4"
2.5"	Ø 1 1/2"	3/4"	Ø 13/64"	4 1/4"	48°	3 13/16"	11°	1 3/16"
	Ø 1"	3/8"	Ø 9/64"	3 3/4"	62°	3 3/8"	11°	3/4"
2.0"	Ø 1"	3/8"	Ø 9/64"	3 1/4"	55°	2 7/8"	11°	3/4"
	Ø 3/4"	1/4"	Ø 9/64"	3 1/16"	62°	2 11/16"	11°	5/8"
1.5"	Ø 1"	3/8"	Ø 9/64"	2 1/16"	40°	2 5/16"	15°	3/4"
	Ø 3/4"	1/4"	Ø 9/64"	2 1/2"	52°	2 1/8"	15°	5/8"
	Ø 1/2"	3/16"	Ø 5/64"	2 9/16"	61°	2 1/16"	15°	11/16"
1.25"	Ø 3/4"	1/4"	Ø 9/64"	2 1/4"	42°	1 7/8"	15°	5/8"
	Ø 1/2"	3/16"	Ø 5/64"	2 5/16"	57°	1 13/16"	15°	11/16"



Tangential Static Spray Ball Type Dimensions

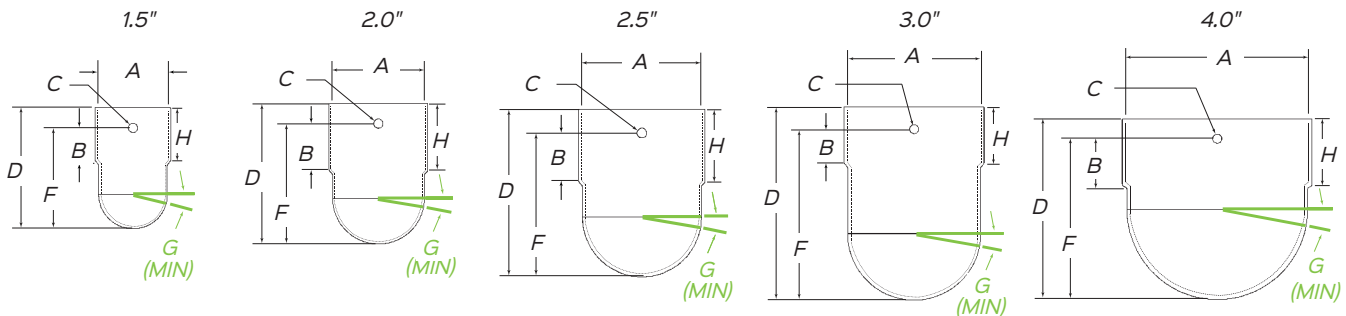
Ball Diameter	A	B	C	D	E (MAX)	F	G (MIN)	H
2.5"	Ø 1 1/2"	3/4"	Ø 3/16"	4 5/16"	90°	3 7/8"	11°	1 3/16"
1.5"	Ø 3/4"	1/4"	Ø 9/64"	2 13/16"	90°	2 7/16"	15°	5/8"

NOTE: Other slip collar connections are available as a special request. Dimensions vary.



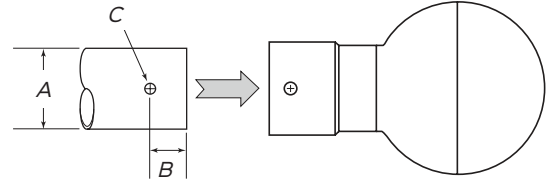
Spray Bubble Spray Ball Type Dimensions

Ball Diameter	A	B	C	D	F	G (MIN)	H
4.0"	Ø 4.05"	0.95"	Ø 13/64"	4.00"	3.56"	11°	1.39"
3.0"	Ø 3.02"	0.75"	Ø 13/64"	4.34"	3.84"	11°	1.25"
2.5"	Ø 2.52"	1.0"	Ø 13/64"	3.50"	3.0"	11°	1.50"
2.0"	Ø 2.02"	1.0"	Ø 13/64"	3.06"	2.63"	11°	1.44"
1.5"	Ø 1.52"	0.69"	Ø 13/64"	2.63"	2.19"	15°	1.13"



Solution Tube Pinhole Location for Proper Fit with Spray Ball

Tube A (OD)	Distance B	Drill Diameter C
1/2"	3/16"	5/64"
3/4"	3/16"	9/64"
1"	5/16"	9/64"
1 1/2"	11/16"	13/64"
2"	15/16"	13/64"



QUICK TIPS

Calculate the recommended minimum spray ball flow rate required for cleaning process vessels by entering the tank diameter:

$$\frac{\text{Spray Ball Flow in gpm}}{\text{Tank Diameter in feet}} = \text{Tank Diameter in feet} \times 9.5$$

A minimum flow rate of 3 gallons per minute (gpm) for every foot of tank circumference is required to produce sufficient turbulent flow to cascade solution down vessel walls.

Choosing a Spray Ball Type:

Spherical: Most common spray ball and ideal for general patterns.

Tangential: Provides a full 90° of drilling area on upper hemisphere.

Spray Bubble: These are size-on-size sprays (hemisphere to supply tube) and ideal for saving space.



Spherical



Tangential



Spray Bubble

Strainer Sizing:

Use the below recommendations for sizing a strainer to use upstream of static spray balls.

Wedgewire Element: 0.015" or smaller

Mesh Overlay: 40 mesh or higher

Filter Tube Overlay: 425 micron or smaller

GOOD TO KNOW

- **Spray Ball Material:** 316L stainless steel
- **Maximum Operating Pressure:** 70 psi
- Wraparound clips are standard
- Material Test Reports (MTRs) are available
- Tangential hemispheres are available in 1.5" and 2.5" ball diameters
- Hastelloy and AL-6XN material options are available for some spray balls
- Custom spray balls require longer lead times

Static Spray Ball Model Number Key

Example Model #:
SB-5-125-050-SC-040-25-32-MP-SP

		1	2	3	4	5	6	7	8	9	10	11	12	13	14	15	16	17	18	19	20	21	22
1, 2	Component Model	[Diagram showing 22 boxes representing model number positions]																					
	SB	Static Spray Ball																					
3	Drill Pattern	[Diagram showing 22 boxes]																					
	0	No Holes (Except 1/16" Drain Hole)																					
	1	180° Up - Vertical Mount																					
	2	180° Up - Double Ball																					
	3	Special Spray Pattern																					
	4	180° Down - Vertical Mount																					
	5	360° Full Coverage																					
	6	180° Up - Horizontal Mount																					
4-6	Ball Diameter	[Diagram showing 22 boxes]																					
	125	1.25" Ball Diameter																					
	150	1.50" Ball Diameter																					
	200	2.00" Ball Diameter																					
	250	2.50" Ball Diameter																					
	300	3.00" Ball Diameter																					
	400	4.00" Ball Diameter																					
7-9	Connection Size	[Diagram showing 22 boxes]																					
	050	0.50" - 12 gpm Max. Flow ¹																					
	075	0.75" - 25 gpm Max. Flow																					
	100	1.00" - 40 gpm Max. Flow																					
	150	1.50" - 100 gpm Max. Flow																					
	200	2.00" - 240 gpm Max. Flow																					
	250	2.50" - 400 gpm Max. Flow																					
10, 11	Connection Style	[Diagram showing 22 boxes]																					
	SC	Slip Collar (Standard)																					
	BW	Butt Weld																					
	FL	Flare (No Connection)																					
	TC	Tri-Clamp ¹																					
	HC	Half Coupling (FNPT) ¹																					
	PN	Pipe Nipple (MNPT) ¹																					
12-14	Flow	[Diagram showing 22 boxes]																					
	040	40 gpm (Standard)																					
	000	0 gpm (No Holes)																					
	###	Custom Flow (gpm)																					
15, 16	Pressure	[Diagram showing 22 boxes]																					
	25	25 psi (Standard)																					
	00	0 psi (No Holes)																					
	##	Custom Pressure (psi)																					
17, 18	Finish	[Diagram showing 22 boxes]																					
	32	32 µin Ra (Standard)																					
	20	20 µin Ra																					
	15	15 µin Ra																					
19, 20	Polish	[Diagram showing 22 boxes]																					
	MP	Mechanical Polish (Standard)																					
	EP	Electropolish																					
21, 22	Ball Type	[Diagram showing 22 boxes]																					
	SP	Spherical																					
	TG	Tangential																					
	BB	Bubble																					

Specify custom flow and custom pressure values when ordering.

¹Does not conform to 3-A standard.

NOTE: Some constraints exist that limit selecting certain options together. Sani-Matic will advise if issues exist with a specified model #.

Standard Static Spray Ball Products



Stock Static Spray Balls

Model	Drill Pattern	Ball Diameter	Connection Size	Connection Style	Flow (gpm)	Pressure (psi)	Finish	Ball Type	Part #	New Model Key #
SB-1	180° Up - Vertical Mount	2.50"	1.50"	SC	40	25	32 µin Ra	Spherical	128271	SB-1-250-150-SC-040-25-32-MP-SP
SB-1	180° Up - Vertical Mount	3.00"	1.50"	SC	40	25	32 µin Ra	Spherical	131028	SB-1-300-150-SC-040-25-32-MP-SP
SB-2	180° Up - Double Ball (each ball)	4.00"	1.50"	SC	40	25	32 µin Ra	Spherical	128272	SB-2-400-150-SC-040-25-32-MP-SP
SB-5	360° Full Coverage	1.50"	0.75"	SC	25	25	32 µin Ra	Spherical	154624	SB-5-150-075-SC-025-25-32-MP-SP
SB-5	360° Full Coverage	1.50"	1.00"	SC	40	25	32 µin Ra	Spherical	199108	SB-5-150-100-SC-040-25-32-MP-SP
SB-5	360° Full Coverage	2.00"	1.00"	SC	40	25	32 µin Ra	Spherical	128276	SB-5-200-100-SC-040-25-32-MP-SP
SB-5	360° Full Coverage	2.00"	1.50"	SC	40	25	32 µin Ra	Spherical	199102	SB-5-200-150-SC-040-25-32-MP-SP
SB-5	360° Full Coverage	2.50"	1.00"	PN	58	20	32 µin Ra	Spherical	117503	SB-5-250-100-PN-058-20-32-MP-SP
SB-5	360° Full Coverage	2.50"	1.50"	SC	40	25	32 µin Ra	Spherical	128275	SB-5-250-150-SC-040-25-32-MP-SP
SB-5	360° Full Coverage	3.00"	1.50"	SC	40	25	32 µin Ra	Spherical	128274	SB-5-300-150-SC-040-25-32-MP-SP
SB-5	360° Full Coverage	4.00"	1.50"	SC	40	25	32 µin Ra	Spherical	128273	SB-5-4.00-1.50-SC-040-25-32-MP-SP
SB-5	360° Full Coverage	2.50"	1.50"	SC	40	25	32 µin Ra	Tangential	219549	SB-5-250-150-SC-040-25-32-MP-TG

NOTE: Clip included.

Static Spray Ball Clips

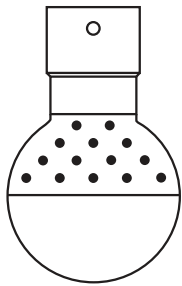
Description	Part #
Hair Pin Clip for 0.50" SC ¹	321443
Wraparound Clip for 0.75" SC	321554
Wraparound Clip for 1.00" SC	321555
Wraparound Clip for 1.50" SC	321556
Wraparound Clip for 2.00" SC	321557
Wraparound Clip for 2.50" SC	321658



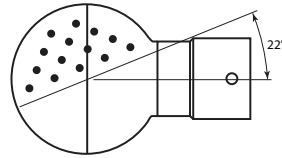
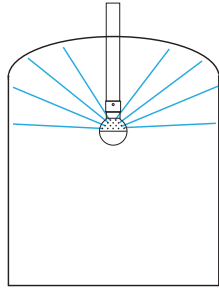
¹0.50" Clip diameter does not conform to 3-A standard.

NOTE: Clips are constructed of 316 stainless steel.

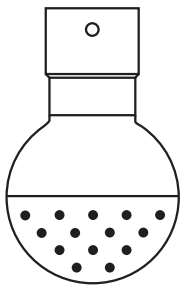
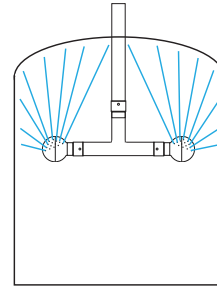
Static Spray Ball Drill Patterns



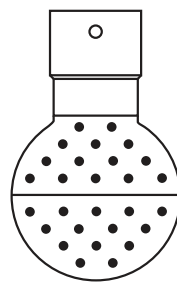
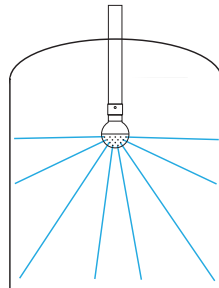
SB-1



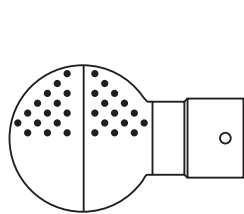
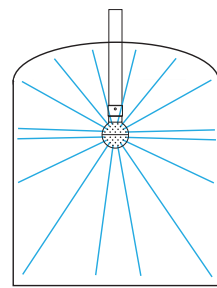
SB-2



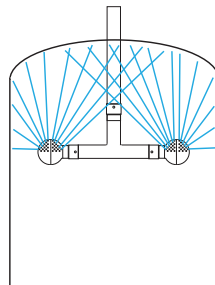
SB-4



SB-5



SB-6



Custom Spray Assemblies

Custom-Engineered Solutions

Sani-Matic creates 3-D models of your process vessels to engineer effective static spray device drill patterns for proper coverage of all ports and surfaces.

Details regarding your specific process may be required to ensure complete spray coverage. We may request the following information:

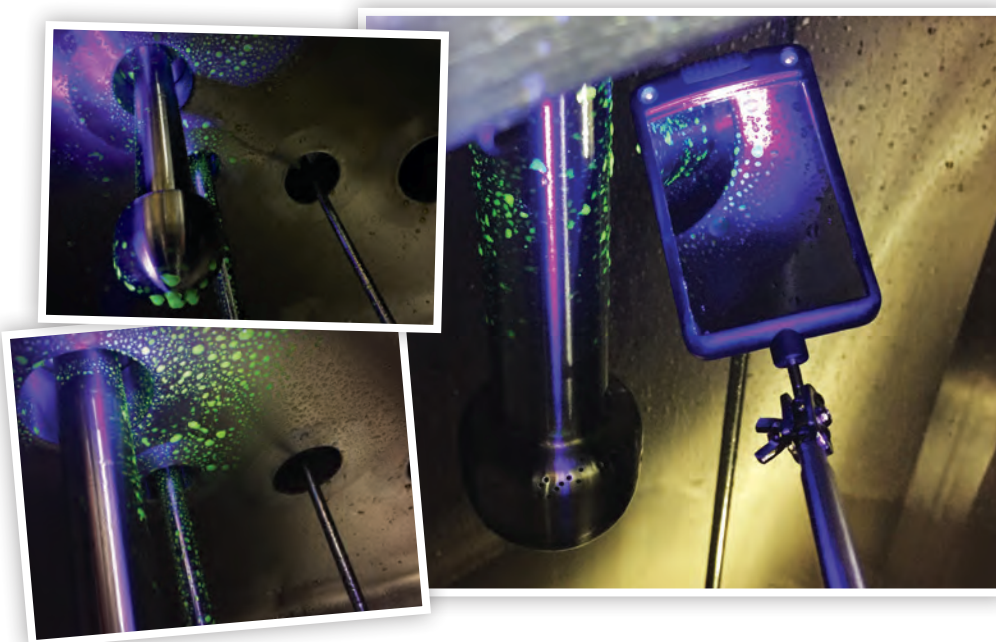
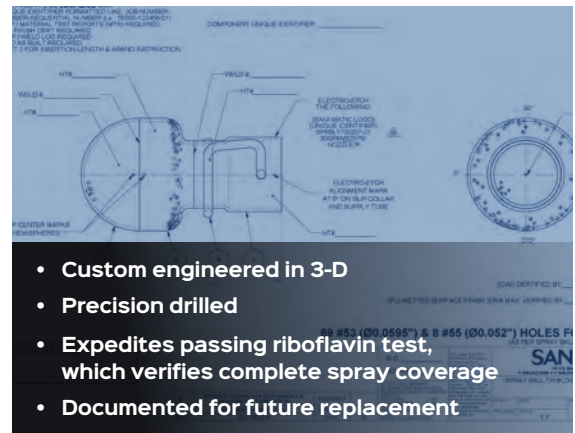
- Tank drawings indicating agitators, dip tubes, anti-foams and spray ball connections
- Available CIP flow and pressure
- Surface finish requirements



Directionally Drilled Spray Balls and Custom Supply Tubes

Once the spray pattern and design have been determined, Sani-Matic will manufacture the spray balls and supply tubes to deliver the cleaning solution.

- Custom patterns drilled with a CNC machine
- Orbital welding
- Product contact welds are ground and polished to meet interior finish requirements
- Orbital welds are borescope inspected to meet ASME BPE standards
- Spray ball patterns are kept on file for easy reorder and to ensure repeatability



Riboflavin testing verifies complete spray coverage.

Rotary Spray Devices ○

Rotary spray devices are used when faster wetting is required, harder-to-clean soils are present, or water savings is important. Sani-Matic provides several types of rotating spray devices (rotating spray balls, spate cleaners, and controlled jet sprays, etc.) from AWH, Armaturenwerk Hötensleben GmbH, a member of NEUMO-Ehrenberg Group. These dynamic spray devices can provide additional cleaning impact from rotation when compared to the cascading cleaning action of static spray devices.

TANKO® RB

The TANKO® RB is an entry-level rotating spray device. Typical applications are similar to those using static spray balls. A major advantage of the rotating ball is its ability to maintain its cleaning function as a static spray ball if the device stops rotating. When rotating, the device's rotating spray jets also create some bounce back or deflective cleaning.

All AWH Spray Devices come with a Material Test Report (MTR).



QUICK TIPS

Will the TANKO RB work if a spray hole is clogged?

If individual spray holes become blocked, the device's rotation allows the remaining spray holes to compensate. This ensures continued complete wetting of the tank walls.

What if the device stops rotating?

Rotating balls can stop working. The TANKO RB will continue performing as a static spray ball if the bearings jam. Operators can troubleshoot by cleaning blocked openings and checking for worn bearings.

Strainer Sizing

Use the below recommendations for sizing a strainer to use upstream of rotary and jet spray devices.

Wedgewire Element: 0.007" or smaller

Mesh Overlay: 80 mesh or higher

Filter Tube Overlay: 180 micron or smaller

GOOD TO KNOW

- **Material:** Body (316L), Ball Bearing (316) stainless steel
- **Maximum Working Temperature:** 446 °F
- Maintains a double ball bearing allowing horizontal installation
- Maintains a small paddle rotor
- Faster wetting capabilities can lead to shorter cleaning cycle times dependent on the application
- The fluid-driven TANKO RB functions by using larger volume flow rates at lower pressure
- Additional models (RB40 and RB90) with varying flow and pressures are available; contact Sani-Matic Representatives for more information



TANKO RB Rotary Spray Device

Model	Spray Pattern	Connection Size	Connection Style	Flow (gpm)	Pressure (psi)	Max. Cleaning Radius (ft)	Finish	Part #
TANKO RB30	360° Full Coverage	0.50"	SC	11-14	22-44	2.5	32 µin Ra	053604
TANKO RB30	360° Full Coverage	0.75"	BW	11-14	22-44	2.5	32 µin Ra	053603
TANKO RB64	360° Full Coverage	1.00"	BW	48-66	22-44	5.0	32 µin Ra	053607
TANKO RB64	360° Full Coverage	1.00"	SC	48-66	22-44	5.0	32 µin Ra	053608

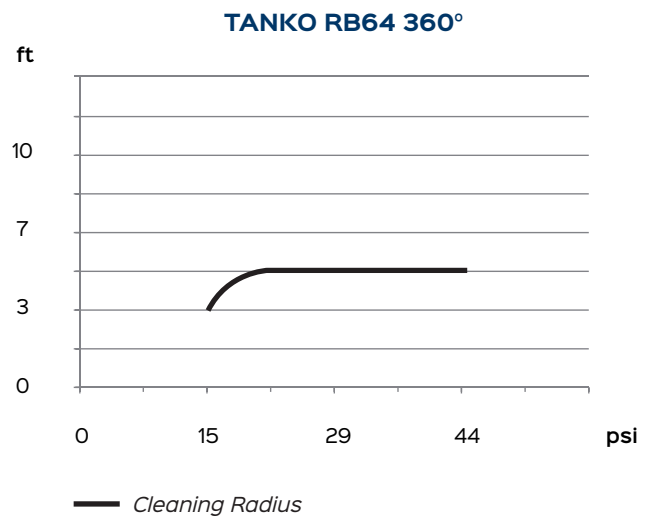
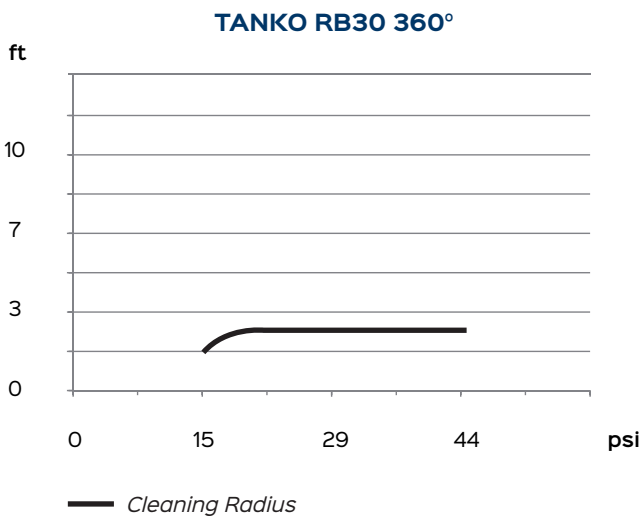
NOTE: **Green highlighted** cells indicate stocked items.

TANKO RB Replacement Parts

Model	Description	Qty	Connection Style	Finish	Part #
TANKO RB30	Wear Parts Kit, Wire Retaining Pin	4 Pieces	SC	32 µin Ra	053554
TANKO RB64	Wear Parts Kit, Wire Retaining Pin	4 Pieces	SC	32 µin Ra	053555

NOTE: **Green highlighted** cells indicate stocked items.

TANKO RB Rotary Radius Charts

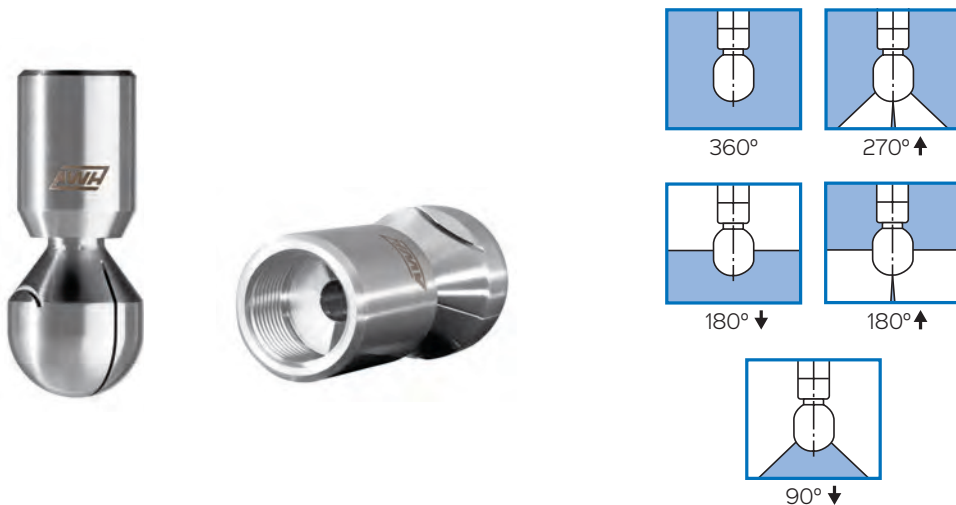


TANKO® S

The TANKO® S series of rotary spray devices are intended to clean light to medium soil loads in a faster cleaning cycle. These rotary spray devices have precision-cut slots without rough edges, which ensure large, directed water droplets for higher impact soil erosion. The rotating spray pattern of this device also provides bounce back or deflective cleaning. As with the TANKO RB, the TANKO S maintains double ball bearings for flexible positioning.

The TANKO S also features a high flow option, the TANKO S HF. It has a wider slot size for a higher flow rate to clean hard-to-clean applications.

All AWH Spray Devices come with a Material Test Report (MTR).



QUICK TIPS

How long will a TANKO S rotary spray operate?

The TANKO S has been tested up to 300 hours but is known to last well beyond the tested number of hours in operation.

Does the TANKO S need to be removed for cleaning?

The TANKO S is designed to be fully CIP-able and self-cleaning.

GOOD TO KNOW

- **Material:** Body (316L), Ball Bearing (316) stainless steel
- **Maximum Working Temperature:** 446 °F
- The TANKO S20 - S40 are recommended to operate at a maximum of 43 psi to avoid atomizing the spray droplets
- Double ball bearings allow for versatile mounting (i.e. installation can occur in any orientation)
- There are five sizes of the TANKO S Series (S10, S20, S30, S40, S50)
 - The smaller TANKO S Series, such as the S20, are ideal for shadow areas in tanks
 - The S50 is ideal for large tanks and can operate at higher flow rates
- For additional model sizes not in the catalog, contact a Sani-Matic Representative



TANKO S Rotary Spray Device

Model	Spray Pattern	Connection Size	Connection Style	Flow (gpm)	Pressure (psi)	Max. Cleaning Radius (ft)	Finish	Part #
TANKO S20	270° Upward	0.13"	FNPT	3.5 - 5.7	22 - 44	2.5	32 µin Ra	053615
TANKO S20	360° Full Coverage	0.13"	FNPT	3.5 - 5.7	22 - 44	2.5	32 µin Ra	053609
TANKO S20	180° Downward	0.50"	BW	3.5 - 5.7	22 - 44	2.5	32 µin Ra	053614
TANKO S20	360° Full Coverage	0.50"	BW	3.5 - 5.7	22 - 44	2.5	32 µin Ra	053610
TANKO S20	360° Full Coverage	0.50"	SC	3.5 - 5.7	22 - 44	2.5	32 µin Ra	053611
TANKO S20	180° Downward	0.50"	SC	3.5 - 5.7	22 - 44	2.5	32 µin Ra	053543
TANKO S30	360° Full Coverage	0.25"	FNPT	8 - 12	22 - 44	3.3	32 µin Ra	053621
TANKO S30	270° Upward	0.38"	FNPT	8 - 12	22 - 44	3.3	32 µin Ra	053622
TANKO S30	360° Full Coverage	0.38"	FNPT	8 - 12	22 - 44	3.3	32 µin Ra	053618
TANKO S30	270° Upward	0.75"	BW	8 - 12	22 - 44	3.3	32 µin Ra	053624
TANKO S30	360° Full Coverage	0.75"	BW	8 - 12	22 - 44	3.3	32 µin Ra	053619
TANKO S30	270° Upward	0.75"	SC	8 - 12	22 - 44	3.3	32 µin Ra	053623
TANKO S30	90° Downward	0.75"	SC	8 - 12	22 - 44	3.3	32 µin Ra	053625
TANKO S30	180° Downward	0.75"	SC	8 - 12	22 - 44	3.3	32 µin Ra	054389
TANKO S30	360° Full Coverage	0.75"	SC	8 - 12	22 - 44	3.3	32 µin Ra	053617
TANKO S40	180° Downward	0.50"	FNPT	15 - 20	22 - 44	6.5	32 µin Ra	053636
TANKO S40	270° Upward	0.50"	FNPT	15 - 20	22 - 44	6.5	32 µin Ra	053638
TANKO S40	360° Full Coverage	0.50"	FNPT	15 - 20	22 - 44	6.5	32 µin Ra	053633
TANKO S40	360° Full Coverage	0.75"	BW	15 - 20	22 - 44	6.5	32 µin Ra	053640
TANKO S40	270° Upward	0.75"	BW	15 - 20	22 - 44	6.5	32 µin Ra	053641
TANKO S40	270° Upward	0.75"	FNPT	15 - 20	22 - 44	6.5	32 µin Ra	053639
TANKO S40	180° Downward	0.75"	FNPT	15 - 20	22 - 44	6.5	32 µin Ra	053644
TANKO S40	360° Full Coverage	0.75"	FNPT	15 - 20	22 - 44	6.5	32 µin Ra	053632
TANKO S40	270° Upward	1.00"	BW	15 - 20	22 - 44	6.5	32 µin Ra	053642
TANKO S40	360° Full Coverage	1.00"	BW	15 - 20	22 - 44	6.5	32 µin Ra	053631
TANKO S40	270° Upward	1.00"	SC	15 - 20	22 - 44	6.5	32 µin Ra	053634
TANKO S40	180° Downward	1.00"	SC	15 - 20	22 - 44	6.5	32 µin Ra	053637
TANKO S40	90° Downward	1.00"	SC	15 - 20	22 - 44	6.5	32 µin Ra	053643
TANKO S40	360° Full Coverage	1.00"	SC	15 - 20	22 - 44	6.5	32 µin Ra	053630
TANKO S40 HF	360° Full Coverage, High-Flow	0.50"	FNPT	22 - 30	22 - 44	6.5	32 µin Ra	053655
TANKO S40 HF	360° Full Coverage, High-Flow	0.75"	BW	22 - 30	22 - 44	6.5	32 µin Ra	053656
TANKO S40 HF	360° Full Coverage, High-Flow	0.75"	FNPT	22 - 30	22 - 44	6.5	32 µin Ra	053654
TANKO S40 HF	360° Full Coverage, High-Flow	1.00"	BW	22 - 30	22 - 44	6.5	32 µin Ra	053653
TANKO S40 HF	360° Full Coverage, High-Flow	1.00"	SC	22 - 30	22 - 44	6.5	32 µin Ra	053652
TANKO S50	360° Full Coverage	1.50"	SC	31 - 79	15 - 44	10.0	32 µin Ra	054024
TANKO S50	360° Full Coverage	2.00"	BW	31 - 79	15 - 44	10.0	32 µin Ra	053660
TANKO S50	360° Full Coverage	2.00"	SC	31 - 79	15 - 44	10.0	32 µin Ra	053661

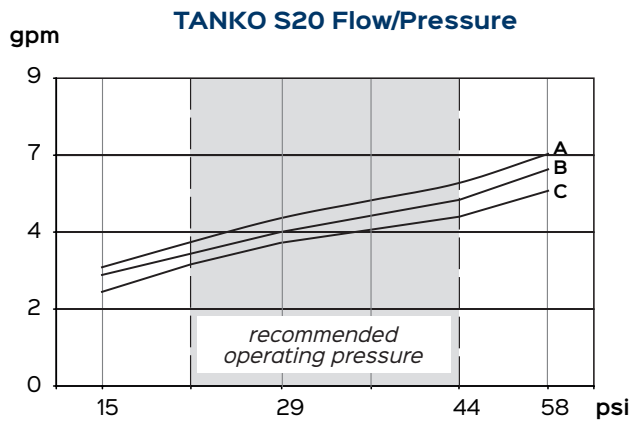
NOTE: Green highlighted cells indicate stocked items.

TANKO S Replacement Parts

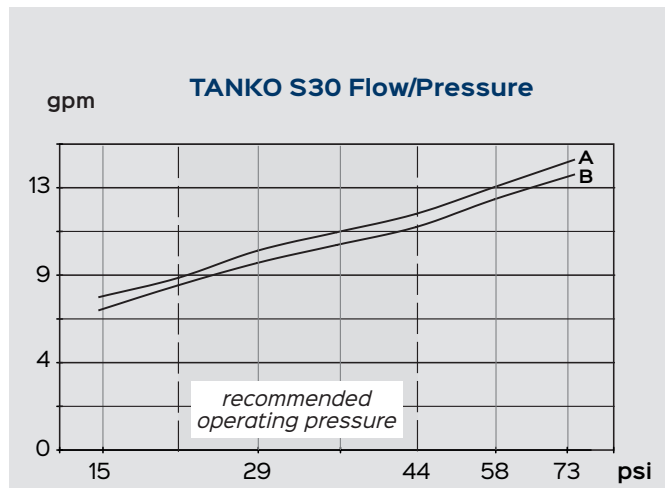
Model	Description	Quantity	Connection Style	Part #
TANKO S20	Hairpin Clip	1 piece	SC	055576
TANKO S30	Hairpin Clip	1 piece	SC	055577
TANKO S40	Hairpin Clip	1 piece	SC	055578
TANKO S50	Hairpin Clip	1 piece	SC	055579
TANKO S20	Wears Parts Kit, Wire Retaining Pin, ATEX	4 pieces	SC	053564
TANKO S30	Wears Parts Kit, Wire Retaining Pin, ATEX	4 pieces	SC	053562
TANKO S40	Wears Parts Kit, Wire Retaining Pin, ATEX	4 pieces	SC	053563
TANKO S50	Wears Parts Kit, Wire Retaining Pin, ATEX	4 pieces	SC	053565

NOTE: Green highlighted cells indicate stocked items.

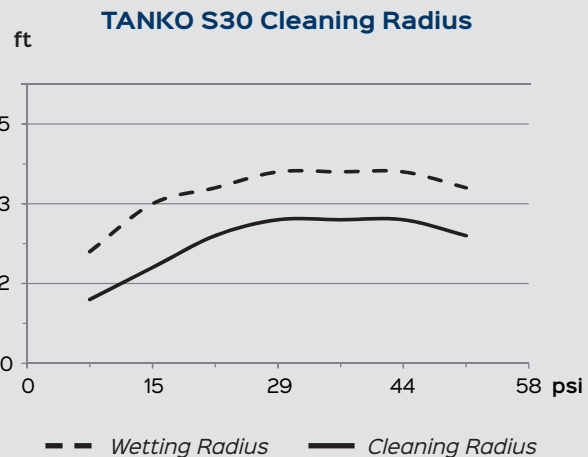
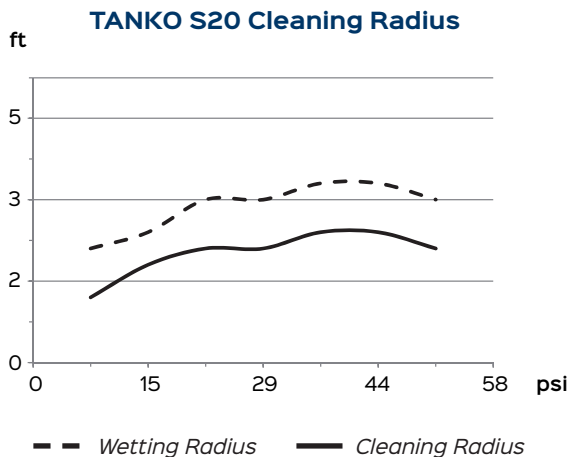
TANKO S Flow/Pressure and Cleaning Radius Charts



A: 360° / 270° upwards; B: 180° downwards;
C: 90° downwards



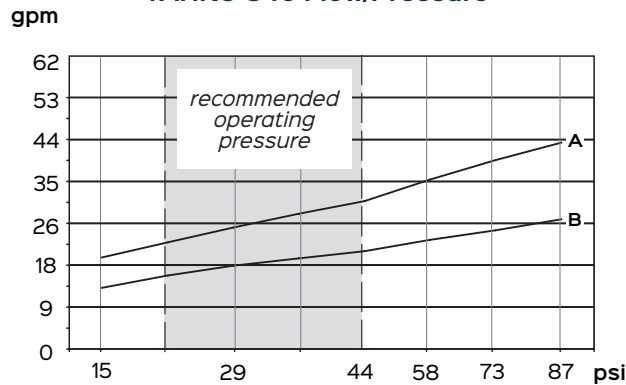
A: 360° / 180° upwards / 180° downwards / 90° downwards
B: 270° upwards





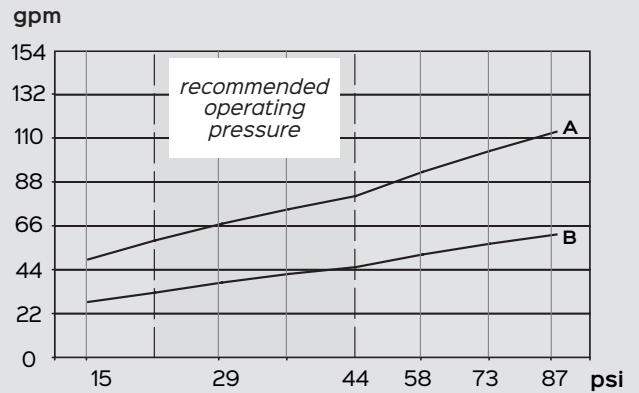
TANKO S with ATEX Clip

TANKO S40 Flow/Pressure



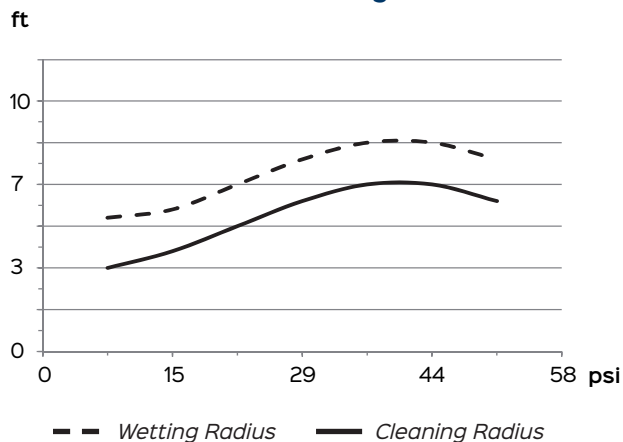
A: 360°HF; B: 360° / 270° upwards / 180° upwards / 180° downwards / 90° downwards

TANKO S50 Flow/Pressure



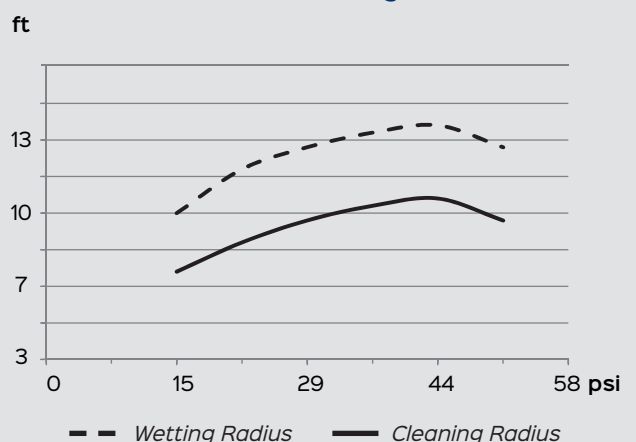
A: 360° / 270° upwards; B: 180° upwards / 180° downwards

TANKO S40 Cleaning Radius



--- Wetting Radius — Cleaning Radius

TANKO S50 Cleaning Radius



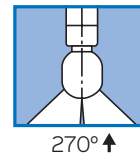
--- Wetting Radius — Cleaning Radius

TANKO® SF40

The AWH TANKO® SF40 is a 3-A Certified rotary spray device for tank and vessel cleaning. It is designed with a 270° upward spray, is self-cleaning, and easy to dismantle for inspection with only a few components.

The spray head rotates on a hydrodynamic bearing, being lubricated by the cleaning solution during the cycle. There are no oils, greases, or other lubricants needed.

All AWH Spray Devices come with a Material Test Report (MTR).



QUICK TIPS

What orientation should I mount the SF40 in?

The standard hydrodynamic bearing is intended for vertical positioning. Other positions are available upon request.

GOOD TO KNOW

- **Materials:** 316L stainless steel and TECAPEEK® natural
- **Maximum Working Temperature:** 203 °F



- Self-lubricating slide bearing
- Meets 3-A Standard 78-03 requirements



TANKO SF40 Rotary Spray Device

Model	Spray Pattern	Connection Size	Connection Style	Flow (gpm)	Pressure (psi)	Max. Cleaning Radius (ft)	Finish	Part #
TANKO SF40	270° Upward Nozzle Spray	0.75"	SC	14 - 26	15 - 44	5.0	32 µin Ra	053665
TANKO SF40	270° Upward Nozzle Spray	1.00"	BW	14 - 26	15 - 44	5.0	32 µin Ra	053664

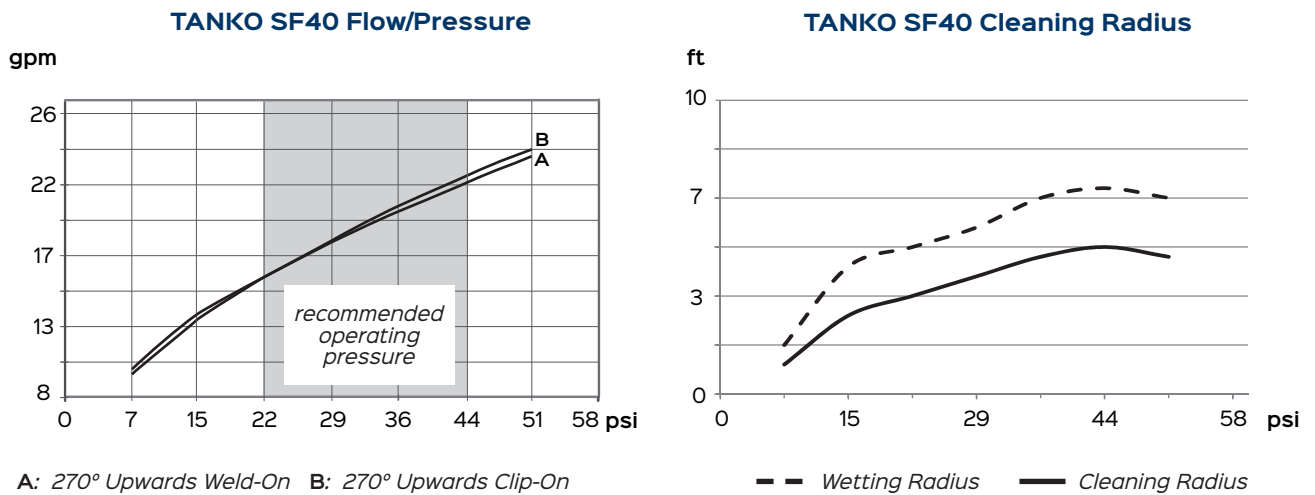
NOTE: Green highlighted cells indicate stocked items.

TANKO SF40 Replacement Parts

Model	Description	Qty	Connection Style	Part #
TANKO SF40	Wear Parts Kit, Wire Retaining Pin	4 Pieces	SC	053929

NOTE: Green highlighted cells indicate stocked items.

TANKO SF40 Flow/Pressure and Cleaning Radius Charts

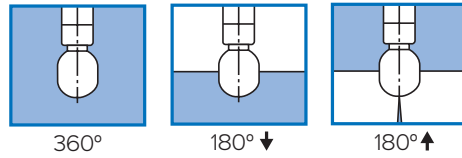


TANKO® CPS

The controlled rotary spray devices within the TANKO® CPS series provide a slow and even rotation while delivering a high-impact spray. The CPS series bridges the rotary and jet spray product lines for a low-cost solution targeting hard-to-clean rings and tough adhesive soils. Applications include cooking kettles and fermentation tanks.

The devices are compact with a plain bearing system and simple structure with only a few moving parts for easy maintenance. The compact TANKO CPS series provides 360° spray coverage while targeting the heaviest soils with directed spray.

All AWH Spray Devices come with a Material Test Report (MTR).



QUICK TIPS

Does the TANKO CPS have a jet cleaning pattern?

The TANKO CPS is in between a rotary spray and jet spray device and doesn't have a dynamic pattern like a jet cleaning device. It produces a consistent pattern of repeating rings that hit targeted spots to loosen soils. The solution provides erosion coverage for the remainder of the tank.

How many sizes are available with the TANKO CP Series?

The TANKO CPS Series has a CP2S and CP3S. While the CP2S provides a cleaning radius of 6.5 feet, the CP3S's cleaning radius is 9.8 feet and is ideal when a wider cleaning range is required. *(The CP3S is not featured in the catalog but is available through Sani-Matic representatives.)*

GOOD TO KNOW

- **Materials:** Solid 316L stainless steel and FDA-compliant PTFE
- **Maximum Working Temperature:** 203 °F
- **Rotations per Minute:** 2-30
- **Minimum Installation Opening (CP2):** 1.81"
- Controlled rotation, not a random spray pattern
- Internal rotor design for a constant, smoother rotation for increased dwell time
- CPS Series is a solid ball of stainless steel with no welded hemispheres and the central chamber is drilled, creating an internal nozzle



TANKO CP2S Rotary Spray Ball

Model	Spray Pattern	Connection Size	Connection Style	Flow (gpm)	Pressure (psi)	Max. Cleaning Radius (ft)	Finish	Part #
TANKO CP2S	180° Downward Nozzle Spray	0.75"	FNPT	10 - 27	44 - 174	6.5	32 µin Ra	053585
TANKO CP2S	180° Upward Nozzle Spray	0.75"	FNPT	10 - 27	44 - 174	6.5	32 µin Ra	053586
TANKO CP2S	360° Full Coverage Nozzle Spray	0.75"	FNPT	10 - 27	44 - 174	6.5	32 µin Ra	053581
TANKO CP2S	360° Full Coverage Nozzle Spray	1.00"	SC	10 - 27	44 - 174	6.5	32 µin Ra	053582
TANKO CP2S	180° Upward Nozzle Spray	1.00"	SC	10 - 27	44 - 174	6.5	32 µin Ra	053583
TANKO CP2S	180° Downward Nozzle Spray	1.00"	SC	10 - 27	44 - 174	6.5	32 µin Ra	053584

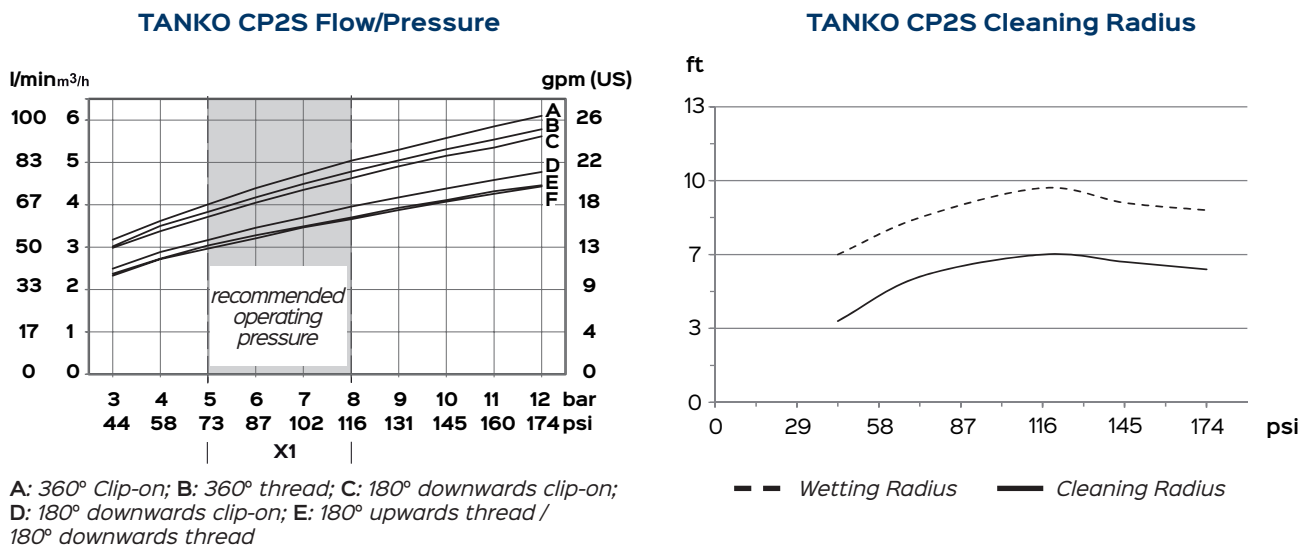
NOTE: **Green highlighted** cells indicate stocked items.

TANKO CP2S Replacement Parts

Model	Description	Part #
TANKO CP2S	Wear Parts	053550
TANKO CP2S	Repair Kit	053571

NOTE: **Green highlighted** cells indicate stocked items.

TANKO CP2S Flow/Pressure and Cleaning Radius Charts



Jet Spray Devices ○

AWH jet spray devices generate dynamic spray patterns with powerful impingement to penetrate soils. The device produces a spherical pattern, which ensures all tank surfaces are hit with cleaning solution. And, like rotary spray devices, jet devices provide additional deflective cleaning. A jet device can complete a full rotation in three to five minutes, dependent on cleaning medium.

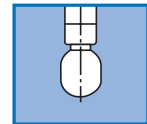
The jet spray devices maintain a plain bearing and planetary gear system to provide repeatable results. They also have low water consumption requirements and a hygienic design to allow for self-cleaning.

TANKO® MX

The newest jet spray device products from AWH are the TANKO® MX devices. The fluid-driven jet spray devices have internal gears for controlled rotation, and higher efficiency (per pass). The TANKO MX offering has two models with multiple nozzle sizes available. The devices are ideal for cleaning moderate to heavy soils.

The TANKO MX jet spray device cycle generates approximately 44 horizontal rotations to get back to the starting position. These rotations require approximately four to five minutes to complete.

All AWH Spray Devices come with a Material Test Report (MTR).



360°



TANKO MX125

- **Materials:** 316L stainless steel, C-PTFE, PEEK+PTFE (FDA-compliant)
- **Maximum Working Temperature:** 203 °F
- **Minimum Installation Opening:** 5.0"
- **Rotation Speed (RPM):** Approx. 5-14 rpm dependent on pressure
- **Weight:** Approx. 7.0 lbs
- **Design:** 4 nozzles
- **Spray Pattern:** Multi-axis 360° jet spray
- 5.5 minute cleaning cycle at 80 psi



TANKO MX150-GR14

- **Materials:** 316L stainless steel, C-PTFE, PEEK+PTFE (FDA-compliant)
- **Maximum Working Temperature:** 203 °F
- **Minimum Installation Opening:** 6.0"
- **Rotation Speed (RPM):** Approx. 5-14 rpm dependent on pressure
- **Weight:** Approx. 7.9 lbs
- **Design:** 4 nozzles
- **Spray Pattern:** Multi-axis 360° jet spray



QUICK TIPS

Is there a way to monitor rotation?

Because the TANKO MX is geared and media-driven, it can be monitored with sensors for proof of rotation. The AWH CIPGuard (TCG-ZR) is available for monitoring proof of rotation.

GOOD TO KNOW

- Vertical positioning is recommended to avoid reduced service life
- Fully drainable in a vertical or horizontal position
- The MX150-G12 is a two-nozzle option available, if you have a relatively small insertion port but require spray throw distance. *(This item is not featured in the catalog but is available through Sani-Matic Representatives.)*
- Cleaning cycle times are dependent on operating pressure - the higher the pressure, the higher the RPM, and the shorter the overall cleaning cycle.
- Surface finish of materials of construction are 32 µin Ra, however some surfaces may not be measurable or accessible due to the design.

TANKO MX Jet Spray Device

Model	Spray Pattern	Spray Nozzle	Connection Size	Connection Style	Flow (gpm)	Pressure (psi)	Max. Cleaning Radius (ft)	Part #
TANKO MX125	360° Full Coverage Nozzle Spray	Four (4) 5.0 MM Nozzles	1.00"	FNPT	17 - 44	44 - 145	13.0	053597
TANKO MX125	360° Full Coverage Nozzle Spray	Four (4) 6.0 MM Nozzles	1.00"	FNPT	17 - 44	44 - 145	13.0	053598
TANKO MX150	360° Full Coverage Nozzle Spray	Four (4) 7.0 MM Nozzles	1.50"	FNPT	45 - 81	43.5 - 116	24.0	053600
TANKO MX150	360° Full Coverage Nozzle Spray	Four (4) 8.0 MM Nozzles	1.50"	FNPT	45 - 81	43.5 - 116	24.0	053599

NOTE: **Green highlighted** cells indicate stocked items.

TANKO MX Replacement Parts

Model	Description	Part #
TANKO MX125 / MX150	Wear Parts Kit	053553

NOTE: **Green highlighted** cells indicate stocked items.

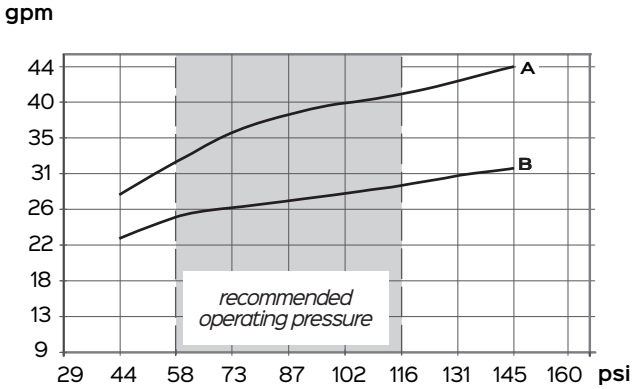
TANKO MX Accessories

For proof of rotation sensor, see CIPGuard® product on page 87.



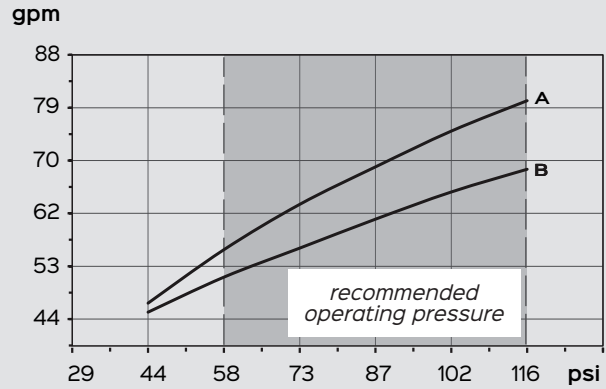
TANKO MX Flow/Pressure and Cleaning Radius Charts

TANKO MX125 Flow/Pressure



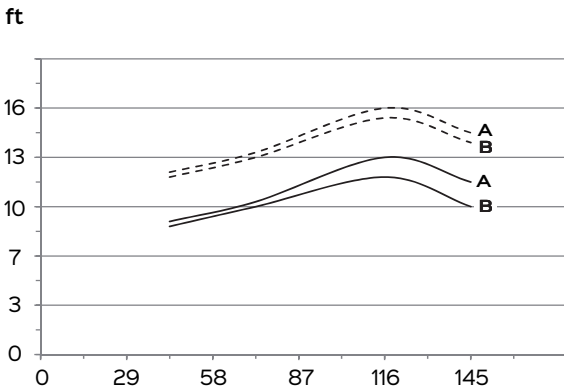
A: 4 x Ø 6.0 mm; B: Ø 5.0 mm

TANKO MX150 Flow/Pressure



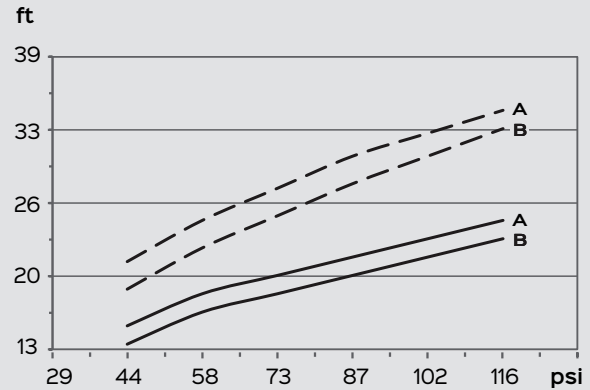
A: 4 x Ø 8.0 mm; B: Ø 7.0 mm

TANKO MX125 Cleaning Radius



A: 4 x Ø 6.0 mm; B: Ø 5.0 mm
 - - Wetting Radius — Cleaning Radius

TANKO MX150 Cleaning Radius

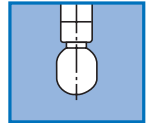


A: 4 x Ø 8.0 mm; B: Ø 7.0 mm
 - - Wetting Radius — Cleaning Radius

TANKO® JM

AWH's TANKO® JM series of jet spray devices have a sturdy, externally mounted bevel gear for easy inspection and cleaning. The series is for applications requiring high-impact impingement and is configurable to adjust the spray volume for optimal process effectiveness. When water savings is a concern, the AWH jet spray devices have low water consumption requirements.

All AWH Spray Devices come with a Material Test Report (MTR) certificate.



360°



TANKO JM100

- **Materials:** 316L and 304 stainless steel, PTFE, PEEF+PTFE
- **Maximum Working Temperature:** 203 °F
- **Minimum Installation Opening:** 4"
- **Rotation Speed (RPM):** Approx. 5-20 rpm
- **Weight:** Approx. 3 lbs 13 oz
- **Design:** Two, two-nozzle sprays
- **Spray Pattern:** Multi-axis 360° jet spray
- Slide bearings for horizontal or vertical mounting
- 6.5 minute cleaning cycle at 80 psi



TANKO JM500

- **Materials:** 316L and 304 stainless steel, PTFE, PEEF+PTFE
- **Maximum Working Temperature:** 203 °F
- **Minimum Installation Opening:** 8.5"
- **Rotation Speed (RPM):** Approx. 5-20 rpm
- **Weight:** Approx. 13 lbs 3 oz
- **Design:** Two, two-nozzle sprays
- **Spray Pattern:** Multi-axis 360° jet spray
- Slide bearings for horizontal or vertical mounting
- 5.5 minute cleaning cycle at 80 psi



TANKO JM800

- **Materials:** 316L and 304 stainless steel, PTFE, PEEF+PTFE
- **Maximum Working Temperature:** 203 °F
- **Minimum Installation Opening:** 12"
- **Rotation Speed (RPM):** Approx. 5-20 rpm
- **Weight:** Approx. 18 lbs 6 oz
- **Design:** Three nozzles. Concentrated spray can throw jets of water farther
- **Spray Pattern:** Multi-axis 360° jet spray
- Vertical mounting
- 7.5 minute cleaning cycle at 80 psi

QUICK TIPS

How are the external gears cleaned?

The hygienic design includes intentional "leaks", or weep holes, allowing water to clean the external gears throughout the cycle.

GOOD TO KNOW

- Proof of rotation is possible when paired with the FDA-compliant CIPGuard (TCG-ZR) rotation sensor
- Cleaning cycle times are dependent on operating pressure - the higher the pressure, the higher the RPM, and the shorter the overall cleaning cycle.



TANKO JM Jet Spray Device

Model	Spray Pattern	Spray Nozzle	Connection Size	Connection Style	Flow (gpm)	Pressure (psi)	Max. Cleaning Radius (ft)	Material	Finish	Part #
TANKO JM100	360° Full Coverage Nozzle Spray	Four (4) 3.7 MM Nozzles	0.75"	FNPT	9 - 29	44 - 290	13.0 (6.5 Typ.)	304/316	32 µin Ra	053591
TANKO JM100	360° Full Coverage Nozzle Spray	Four (4) 4.3 MM Nozzles	0.75"	FNPT	9 - 29	44 - 290	13.0 (6.5 Typ.)	304/316	32 µin Ra	053590
TANKO JM500	360° Full Coverage Nozzle Spray	Four (4) 8.0 MM Nozzles	1.50"	FNPT	36 - 129	51 - 189	16.5 (8 Typ.)	316	32 µin Ra	053593
TANKO JM500	360° Full Coverage Nozzle Spray	Four (4) 9.5 MM Nozzles	1.50"	FNPT	36 - 129	51 - 189	16.5 (8 Typ.)	316	32 µin Ra	053594
TANKO JM500	360° Full Coverage Nozzle Spray	Four (4) 6.5MM Nozzles	1.50"	FNPT	36 - 129	51 - 189	16.5 (8 Typ.)	316	32 µin Ra	053592
TANKO JM800	360° Full Coverage Nozzle Spray	Three (3) 9.5 MM Nozzles	1.50"	FNPT	63 - 122	73 - 189	23.0 (11.5 Typ.)	316	32 µin Ra	053595
TANKO JM800	360° Full Coverage Nozzle Spray	Three (3) 8.0 MM Nozzles	1.50"	FNPT	63 - 122	73 - 189	23.0 (11.5 Typ.)	316	32 µin Ra	053596

NOTE: **Green highlighted** cells indicate stocked items.

TANKO JM Replacement Parts

Model	Description	Part #
TANKO JM100	Wear Parts Kit	053552
TANKO JM100	Repair Kit, Tool, Rotor, Installation-Removal	053570
TANKO JM100 TANKO JM500 TANKO JM800	Repair Kit, Work Holders, 2 Assembly Jaws	053569
TANKO JM500 TANKO JM800	Wear Parts	053566
TANKO JM500 TANKO JM800	Repair Kit, Tool, Rotor, Installation-Removal	053567
TANKO JM500 TANKO JM800	Repair Kit, Special Key for Gear Wheel Installation	053568

NOTE: **Green highlighted** cells indicate stocked items.

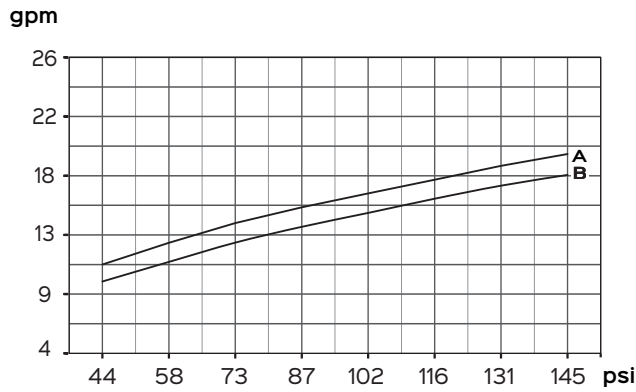
TANKO JM Accessories

For proof of rotation sensor, see CIPGuard® product on page 87.



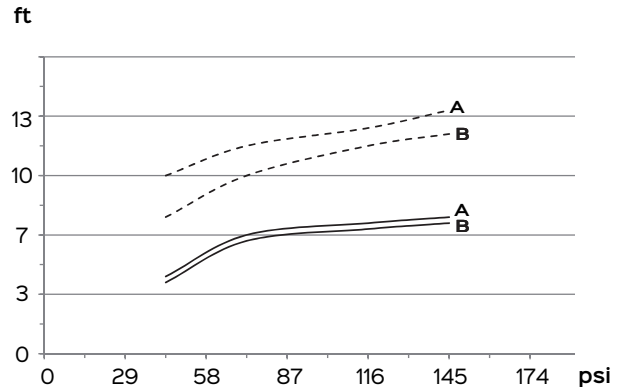
TANKO JM Flow/Pressure and Cleaning Radius Charts

TANKO JM100 Flow/Pressure



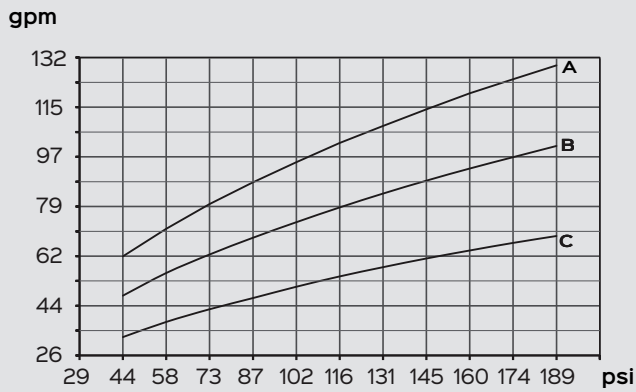
A: 4 x Ø 4.3 mm; B: Ø 3.7 mm

TANKO JM100 Cleaning Radius



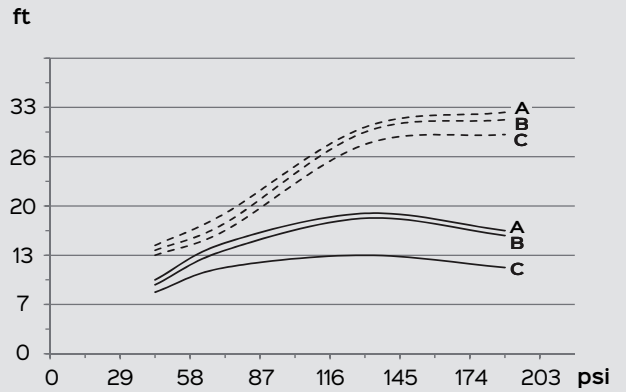
A: 4 x Ø 4.3 mm; B: Ø 3.7 mm
 - - Wetting Radius — Cleaning Radius

TANKO JM500 Flow/Pressure



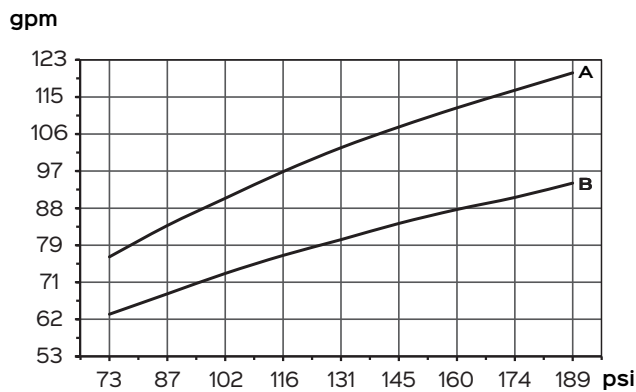
A: 4 x Ø 9.5 mm; B: Ø 8.0 mm; C: Ø 6.5 mm

TANKO JM500 Cleaning Radius



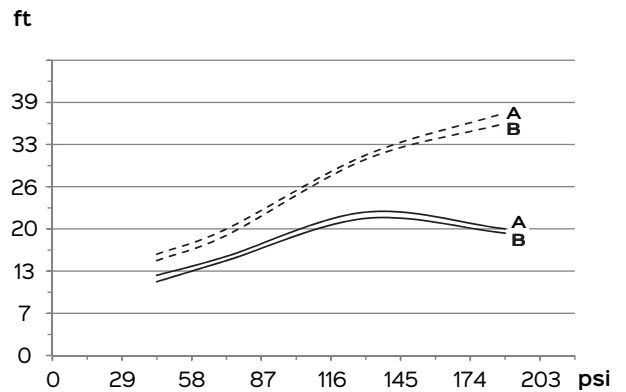
A: 4 x Ø 9.5 mm; B: Ø 8.0 mm; C: Ø 6.5 mm
 - - Wetting Radius — Cleaning Radius

TANKO JM800 Flow/Pressure



A: 4 x Ø 9.5 mm; B: Ø 8.0 mm





TANKO JM800 Cleaning Radius

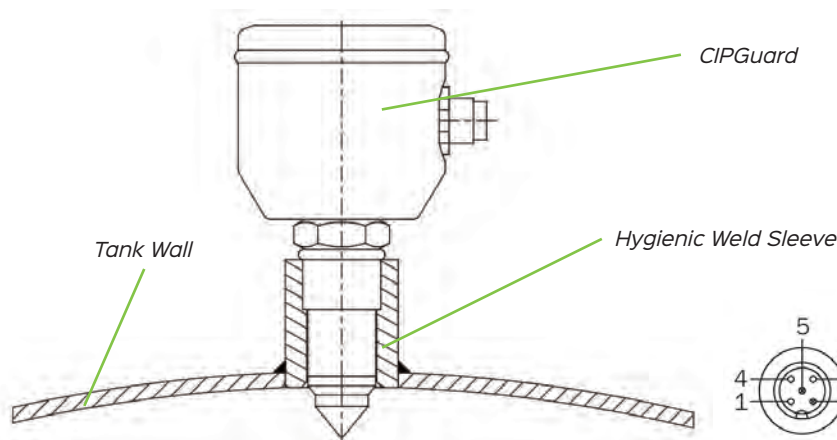


A: 4 x Ø 9.5 mm; B: Ø 8.0 mm
 - - Wetting Radius — Cleaning Radius

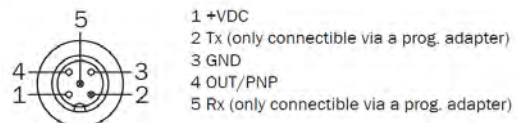
The CIPGuard is an accessory available for monitoring proof of rotation for rotating spray devices. The CIPGuard is installed centrally in the top of a tank head or tri-clamp port, and setup occurs via a connected PC to set rotation frequency and impact force parameters. When the unit is operating within set parameters, a digital PNP output signal can be sent to a connected PLC, confirming that the unit is within the rotation frequency and impact force parameters.



Image	Description	Part #	Key Technical Data
	CIPGuard Sensor	053549	Wetted Materials of Construction - PEEK G 1/2" Connection - use with welded sleeve 24V DC Supply Voltage 145 psi / 100° C max process temperature
	PC Interface Cable, CIPGuard	053544	Required for initial CIPGuard Sensor Setup or Parameter Adjustment USB connection for PC x M12 Adapter Free PC setup software available at http://www.awh.eu
	CIPGuard Interface Cable, CIPGuard	053548	Required for initial CIPGuard Sensor Setup or Parameter Adjustment 8 pin connection for CIPGuard Sensor x M12 Adapter
N/A	Hygienic Weld-In Sleeve, CIPGuard	053547	Wetter Materials of Construction- 316Lss G 1/2" Connection - use with CIPGuard Sensor Can be welded directly onto vessel or onto tri-clamp cap
	M12 Cable, Angled, 15 meters	052066	Angled M12 Connection For use with CIPGuard Sensor



CIPGuard Installation Example



CIPGuard Wiring Diagram

Additional Rotary & Jet Spray Devices

Germany-based AWH, Armaturenwerk Hötensleben GmbH, a member of NEUMO-Ehrenberg Group, has a century of experience making high-quality products at attractive prices. In addition to its more common rotary and jet spray devices, many other unique spray devices and accessories are available through Sani-Matic.

TANKO® CR

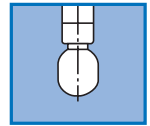
The TANKO® CR is a chemically resistant rotary spray device. It is constructed of a modified, second-generation PTFE that is a smoother and more hygienic surface than conventional PTFE, and resistant to aggressive chemicals.

The series operates at a constant speed under different operating conditions with focused fan jets for fast wetting and effective cleaning.

The TANKO CR series rotates in a slow, defined manner on a hydrodynamic plain bearing. The bearing is flushed throughout operation avoiding wear and shaving, as well as allowing for a variety of installation angles.

The TANKO CR is also suitable for Steam-In-Place (SIP) vessel sterilization, and is only available with a BSP fitting.

All AWH Spray Devices come with a Material Test Report (MTR).



360°



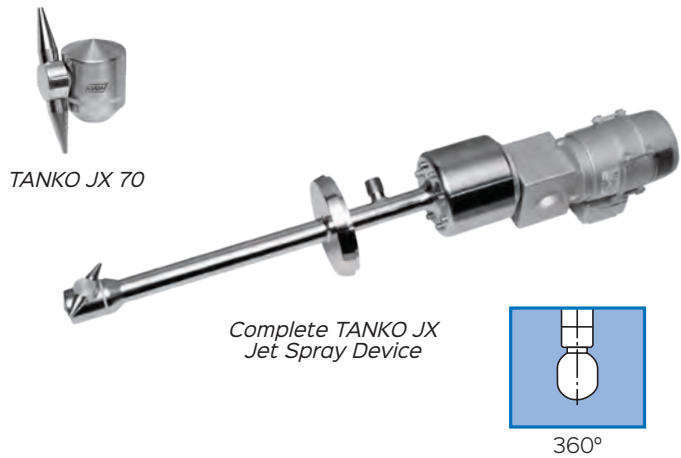
GOOD TO KNOW

- **Material:** Modified, second-generation PTFE
- **Maximum Working Temperature:** 250 °F
- **Minimum Installation Opening:** 1.85"
- **Flow Rate:** 11.9-20.7 gpm
- **Connection Size:** ½" BSP female thread. The TANKO weld-on adapter is required.
- **Cleaning Radius:** 6.6 feet
- **Steam-In-Place Compatible:** Suitable for SIP Sterilization

TANKO® JX

The TANKO® JX is an externally driven jet spray device. The electric motor is located outside the vessel and drives the rotation rather than being hydraulically driven. This greatly minimizes water use and allows for easy rotation speed adjustments. The series is available in two models, the JX 70 and JX 75, both with a two-nozzle design for a 360° spray pattern.

All AWH Spray Devices come with a Material Test Report (MTR).

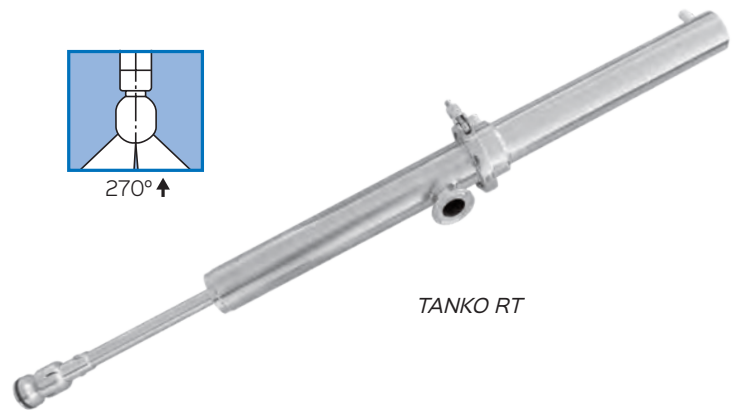


TANKO® RT

The TANKO® RT has an extending and retracting spray arm ideal for vessels with projecting agitators or other internal fittings that create space constraints for traditional spray devices. The design allows the spray arm to rest outside of the vessel within its housing during process operations and pneumatically extends into the vessel for cleaning.

A slotted rotating spray device resides near the end of the spray arm designed with a 270° upward spray. It is available in stroke lengths of 4, 6, 10, and 20 inches.

All AWH Spray Devices come with a Material Test Report (MTR).



TANKO® AN

The TANKO® AN weld-on adapter allows an AWH device with a BSP connection to be welded to a supply tube. This adapter provides an internal turbulence zone for self cleaning and a lip that reduces contamination at the connection point.

The TANKO AN weld-on adapter comes with a Material Test Report (MTR).



Tank Cleaning Trolley (JM-C1)

Description	Part #	Material	Inlet Connection	Jet Spray Connection	Weight	Size
Tank Cleaning Trolley (JM-C1)	055085	316Lss	DN50 Male DIN11851 ¹	1.0" MNPT or 1.5" FNPT ²	28 lbs	Approx. 21" L x 12.5" W x 7" H

¹See Accessories table for TC adapter.

²Includes bushing.

Tank Cleaning Trolley (JM-C1) Accessories / Spare Parts

Description	Part #
Wheels, Tank Cleaning Trolley (set of 4)	055501
Adaper, 2.0" Female DIN 11851 x 2.0" TC	056066



Supply Tubes

Precise Spray Ball Placement for a Complete Clean

Determining the proper supply tube for your spraying system is critical for thorough cleaning.

Although spray balls are thought of as the only part to your spray solution, they will only provide a complete clean if they are positioned correctly for proper head and nozzle coverage – as such, the right supply tube is an integral part of proper positioning.

Sani-Matic is 3-A Certified for its supply tube design, however, if your process requires a custom-designed supply tube, contact a Sani-Matic representative to ensure it meets 3-A certification.

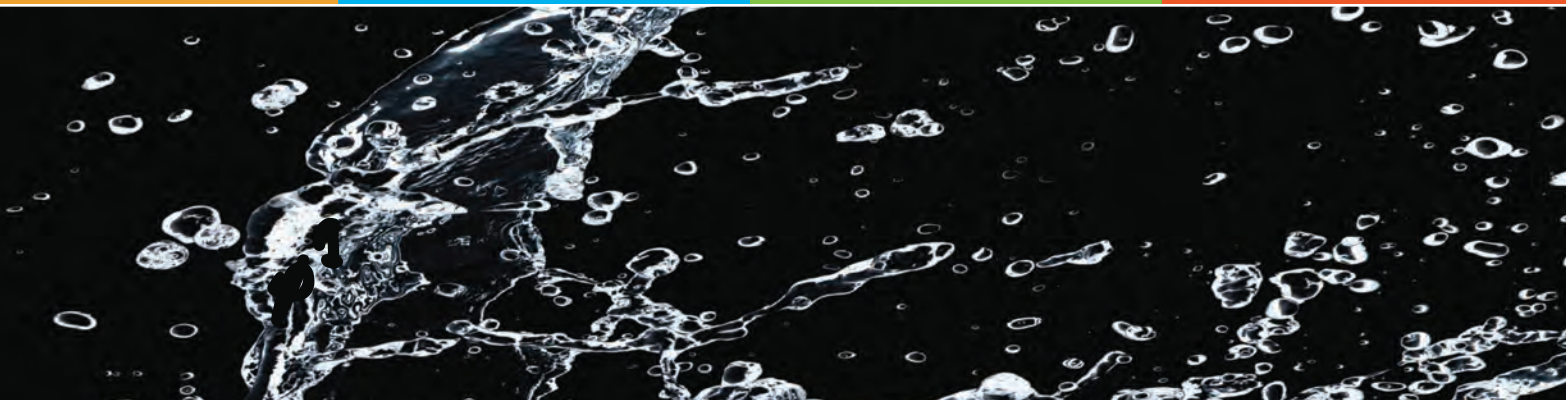


Food & Beverage

Bio-Pharm

Sanitary Components

Services

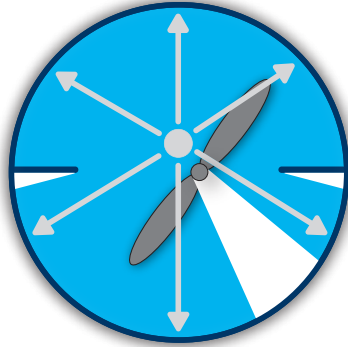




QUICK TIPS

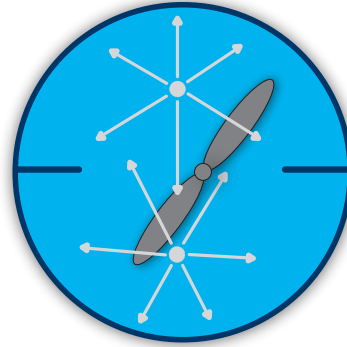
How do you properly clean tanks with baffles or agitators?

When tanks have baffles or agitators, a shadowing effect occurs within the tank and leaves areas without full spray coverage. Using multiple spray assemblies for full spray coverage combats shadowing.



Shadowing

This top view of a tank with baffles and agitator shows the shadowing of spray due to obstructions within the tank.

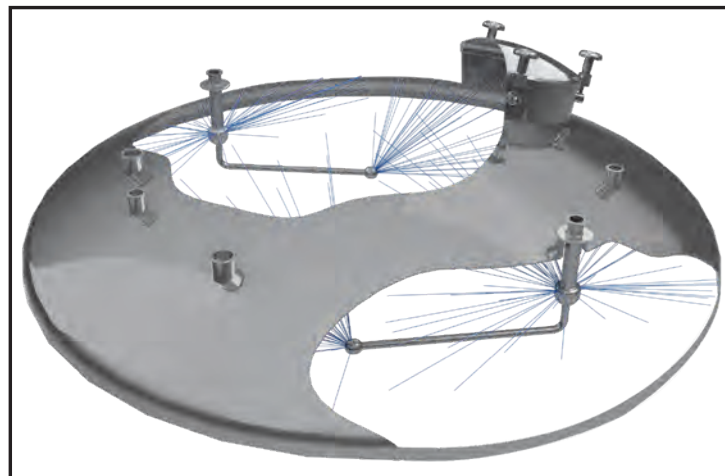


Multiple Spray Assemblies

For complete coverage, multiple spray sources are needed to compensate for the shadowing effect.

GOOD TO KNOW

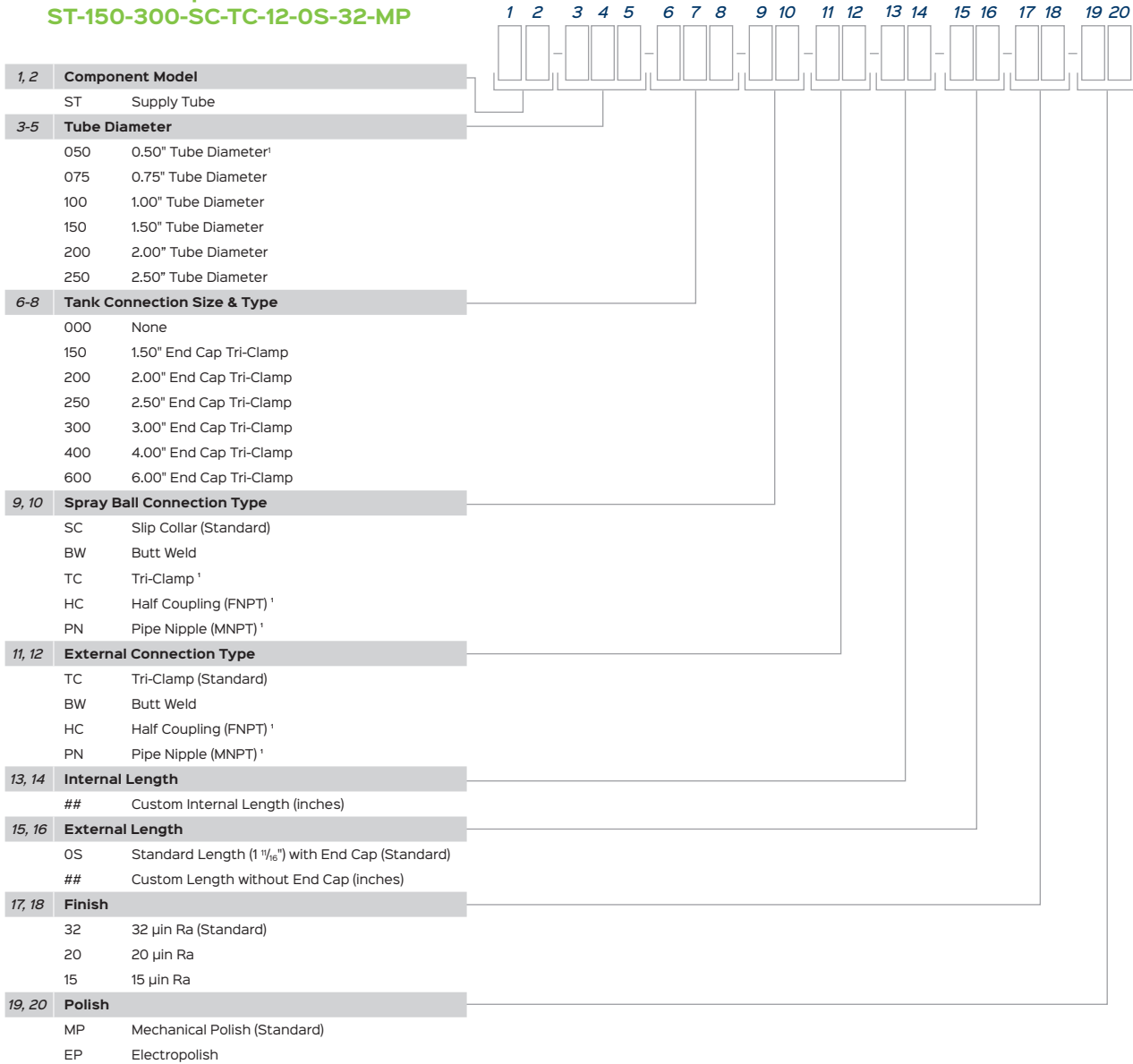
- **Material:** 316L stainless steel
- Supply tubes may require longer lead times if engineering for specific tank requirements
- Material Test Reports (MTRs) are available
- Sani-Matic supply tubes are used with static spray balls, rotary, and jet spray devices
- With double ball tees, flow rate is divided between both spray balls



Custom supply tube and directionally drilled static spray ball configuration.

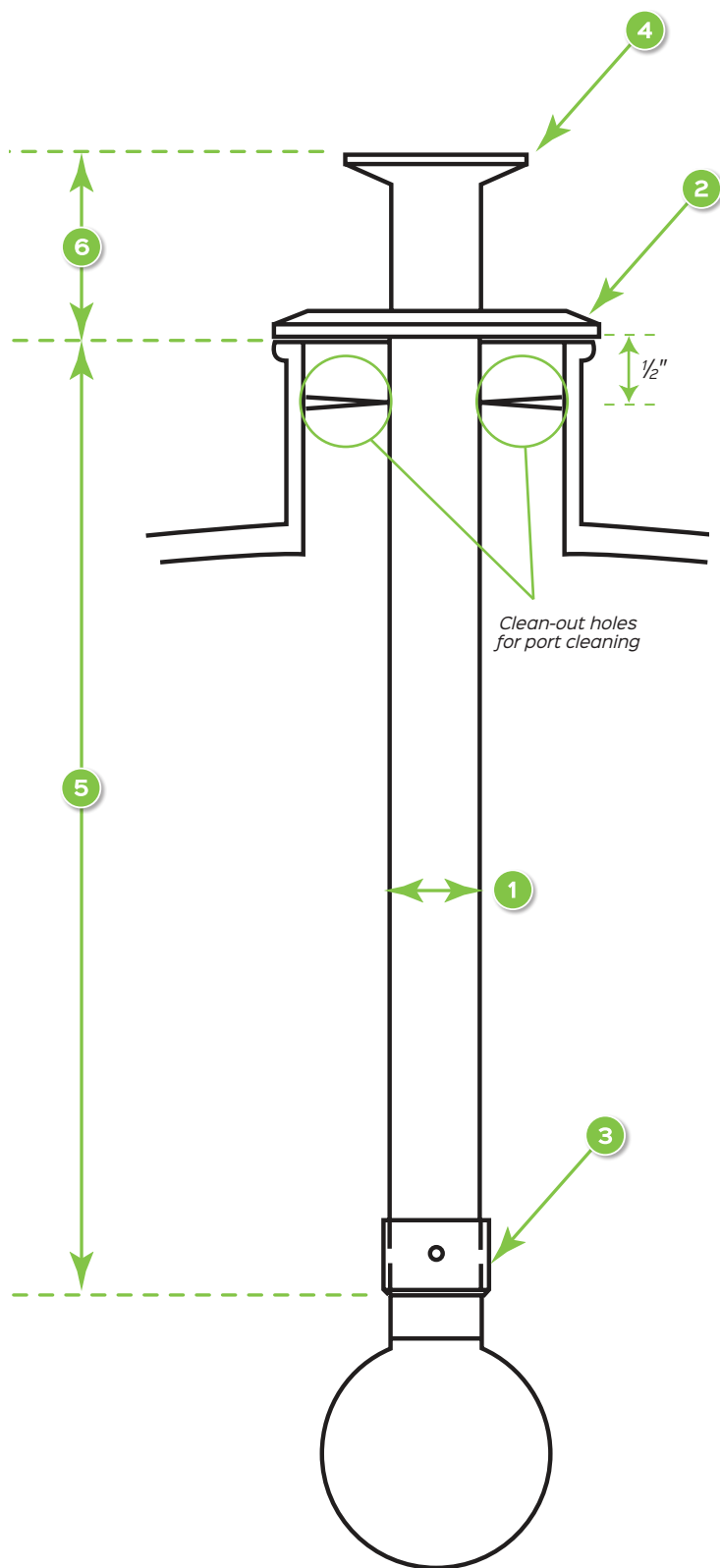
Supply Tubes Model Number Key

Example Model #:
ST-150-300-SC-TC-12-OS-32-MP



Specify custom length values when ordering.

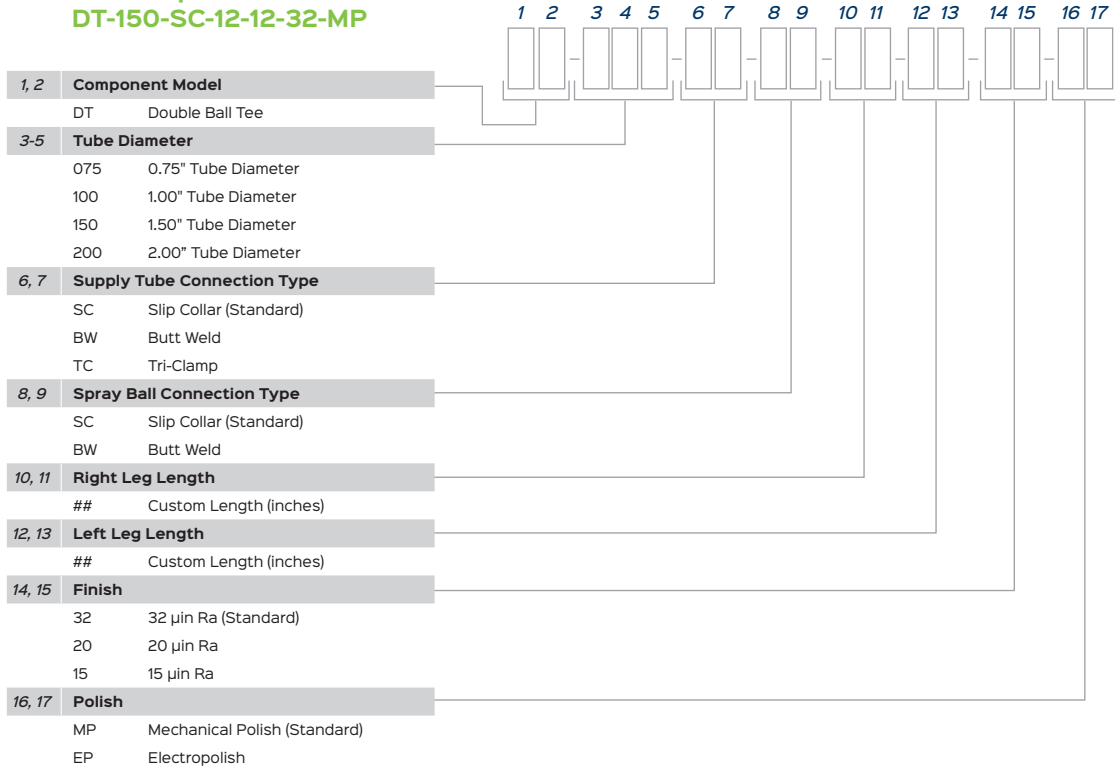
' Does not conform to 3-A standard.



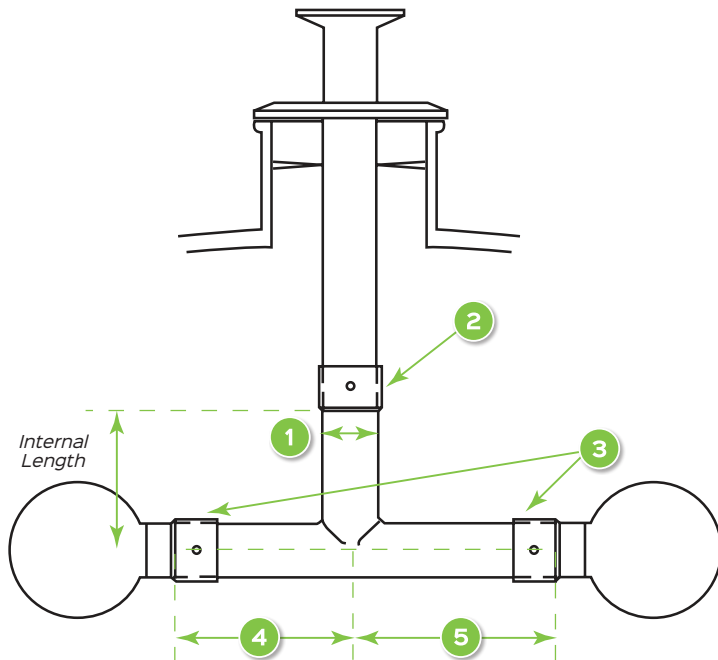
- 1 Tube Diameter
- 2 Tank Connection
- 3 Spray Ball Connection
- 4 External Connection
- 5 Internal Length (Length of tube within the tank)
- 6 External Length (Length of tube outside the tank)

Double Ball Tee Model Number Key

Example Model #:
DT-150-SC-12-12-32-MP



Specify custom length values when ordering.



- 1 Tube Diameter
- 2 Supply Tube Connection
- 3 Spray Ball Connection
- 4 Left Leg Length
- 5 Right Leg Length

Tube Diameter (selection 1)	Standard Internal Length
0.75"	1.0"
1.0"	1 1/16"
1.5"	2 13/32"
2.0"	2 1/16"

NOTE: Prior to 2021, dimension bubble numbers 4 and 5 (corresponding to model key #'s 10-13) were measured to center of spray device.

Hygienic Spray Deflector - Food & Beverage

● The Solution To Spray Overflow

Sani-Matic's patented Hygienic Spray Deflector features a tri-clamp connected vent housing with an interior reversed dish designed to deflect spray solution from exiting a tank.

The Hygienic Spray Deflector is designed for vessels where spray devices are used to clean the interior. These vessels include CIP and process tanks.

It redirects sprayed solution back into the process tank, without inhibiting tank port cleaning. When following the recommended spray device operating requirements, the Hygienic Spray Deflector's design reduces solution from exiting open-to-atmosphere tanks.

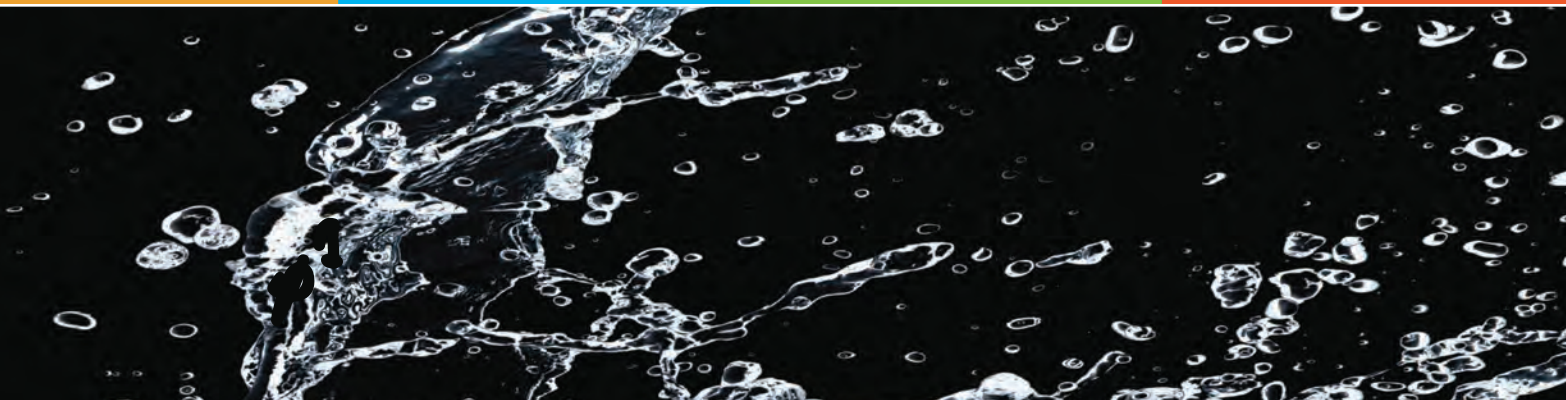


Food & Beverage

Bio-Pharm

Sanitary Components

Services





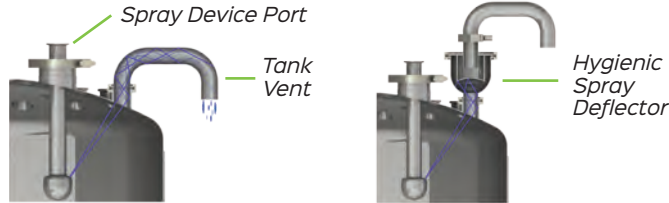
QUICK TIPS

How much water will this save?

Vent water loss will vary depending on installation and operating conditions, but a typical CIP operation for a single process tank in 1 year can lead to upwards of 1,000 gallons of water and 20 gallons of chemical being lost out of a leaking tank vent.

GOOD TO KNOW

- 316L stainless steel
- **Sanitary ID Finish:** 32 µm Ra
- **Cleaning:** Easily removable for inspection and COP cleaning



Watch it in action!

Hygienic Spray Deflector Model Number Key

Example Model #: **HSDFB-TC20-E-3232MP**

1-5	Component	1	2	3	4	5	6	7	8	9	10	11	12	13	14	15	16
1-5	Component HSDFB Hygienic Spray Deflector - Food & Beverage																
6, 7	Connection Type TC Tri-Clamp (Standard)																
8, 9	Connection Size 20 2.0" 30 3.0" 40 4.0"																
10	Gasket Material E EPDM (Standard) V Viton																
11, 12	ID Finish 32 32 µm Ra (Standard)																
13, 14	OD Finish 32 32 µm Ra (Standard)																
15, 16	Polish MP Mechanical Polish (Standard)																

Hygienic Spray Deflector Replacement Parts

HSD Connection Size (Body Size)	Part	Material	Part #
2.0" (4.0" Body Size)	Gasket	EPDM	021031
	Gasket	Viton	020474
	Clamp	--	020225
3.0" (6.0" Body Size)	Gasket	EPDM	022975
	Gasket	Viton	023847
	Clamp	--	020976
4.0" (8.0" Body Size)	Gasket	EPDM	027764
	Gasket	Viton	038233
	Clamp	--	027655



NOTE: Gasket and clamp parts are for listed body size..

VL-3A Sanitary Sight Glass

● Add Visibility To Your Process

The VL-3A Sanitary Sight Glass easily adds visibility to any process line or equipment. Utilizing a standard tri-clamp connection, the sight glass can be added to any equipment with an available tri-clamp port, allowing for inspection of the process.

Applications include process tanks and equipment, process lines, parts washers, process components, or any other sanitary process where visibility inside the equipment is required.



The sight glass is 3-A Certified, ensuring a sanitary and cleanable design.

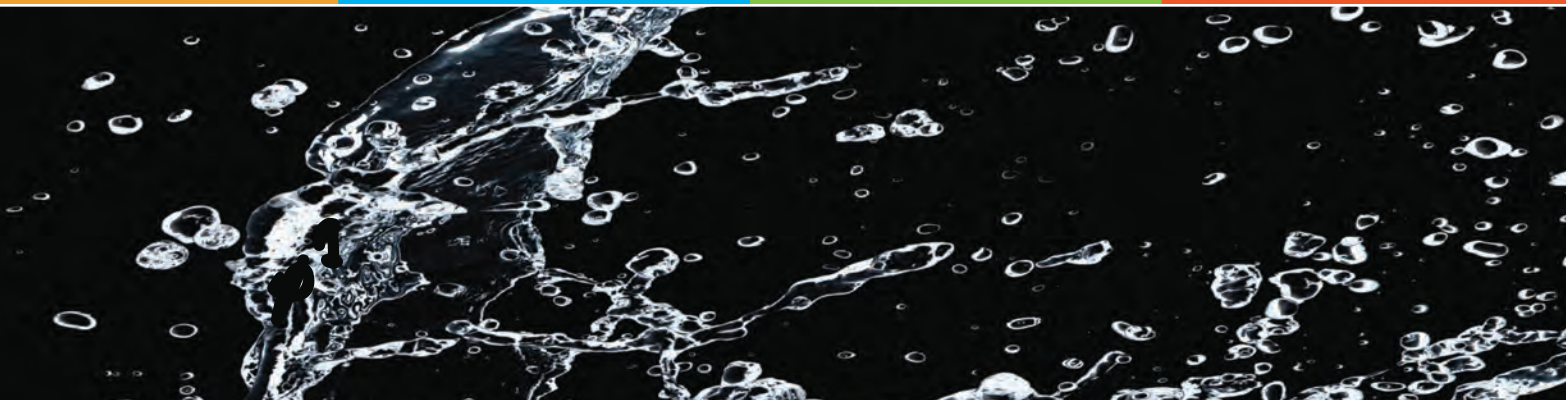


Food & Beverage

Bio-Pharm

Sanitary Components

Services



QUICK TIPS

Handle carefully!

When taking off the tri-clamp gasket and clamp, handle with care - the remaining assembly includes a body, additional gasket, and the sight glass itself - all separate components that come apart and can be damaged if dropped.

Can the sight glass be left in for Clean-In-Place (CIP)?

Yes! The unit is fully CIPable.

Is this unit 3-A Certified?

Yes - the unit is 3-A Certified to the 65-01 (Sight and/or Light Windows and Sight Indicators in Contact with Product) standard.

GOOD TO KNOW

- **Maximum Operating Conditions (Sight Glass):** 350 psi / 300 °F
- **Maximum Operating Conditions (Full Assembly; With Standard Clamp):** 350 psi / 300° F

Connection Size	Maximum Operating Conditions
2.0" TC	250 psi @ 250 °F
2.5" TC	200 psi @ 250 °F
3.0" TC	150 psi @ 250 °F
4.0" TC	125 psi @ 250 °F



VL-3A Sight Glass Assembly

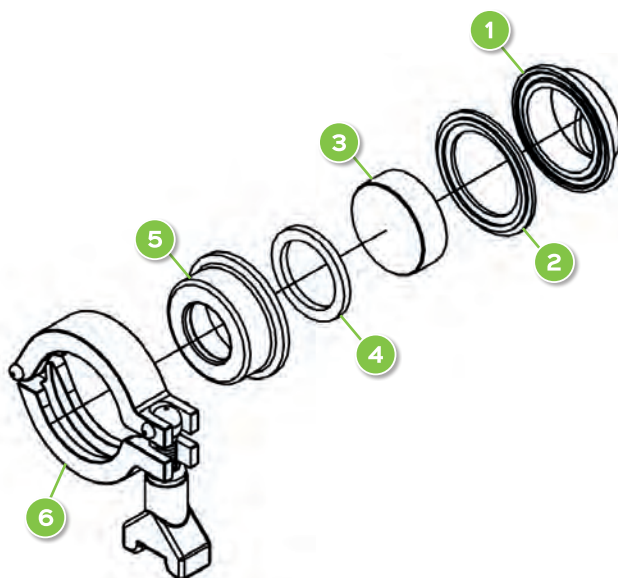
Connection Size	Description	Part #
2.0"	VL-3A Sight Glass Assembly, 2.0" TC	055630
2.5"	VL-3A Sight Glass Assembly, 2.5" TC	056231
3.0"	VL-3A Sight Glass Assembly, 3.0" TC	055631
4.0"	VL-3A Sight Glass Assembly, 4.0" TC	055632

NOTE: VL-3A Sight Glass Assemblies come with the sight glass lens, sight glass ferrule, EPDM tri-clamp and sight glass gaskets, tri-clamp, and a tri-clamp weld ferrule.



*VL-3A Sight Glass Assembly
(tri-clamp and tri-clamp ferrule not shown)*

VL-3A Sight Glass Replacement Parts



- 1 Tri-Clamp Ferrule
- 2 Tri-Clamp Gasket
- 3 Sight Glass Lens
- 4 Sight Glass Gasket
- 5 Sight Glass Ferrule
- 6 Tri-Clamp

1 Tri-Clamp Ferrule

Connection Size	Description	Part #
2.0"	Ferrule, Tri-Clamp, 316L, 2.0", Short	020536
2.5"	Ferrule, Tri-Clamp, 316L, 2.5", Short	020537
3.0"	Ferrule, Tri-Clamp, 316L, 3.0", Short	020538
4.0"	Ferrule, Tri-Clamp, 316L, 4.0", Short	020539

NOTE: This short, weld-on Tri-Clamp Ferrule is the connection onto which the sight glass is clamped. It is likely not needed for existing installations.

2 Tri-Clamp Gasket

Connection Size	Description	Part #
2.0"	Gasket, Tri-Clamp, EPDM, 2.0"	021028
2.5"	Gasket, Tri-Clamp, EPDM, 2.5"	021029
3.0"	Gasket, Tri-Clamp, EPDM, 3.0"	021030
4.0"	Gasket, Tri-Clamp, EPDM, 4.0"	021031

3 Sight Glass Lens

Connection Size	Description	Part #
2.0"	Lens, Sight Glass, Borosilicate, 2.0"	056512
2.5"	Lens, Sight Glass, Borosilicate, 2.5"	056513
3.0"	Lens, Sight Glass, Borosilicate, 3.0"	056514
4.0"	Lens, Sight Glass, Borosilicate, 4.0"	056515

4 Sight Glass Gasket

Connection Size	Description	Part #
2.0"	Gasket, Sight Glass, EPDM, 2.0"	056508
2.5"	Gasket, Sight Glass, EPDM, 2.5"	056509
3.0"	Gasket, Sight Glass, EPDM, 3.0"	056510
4.0"	Gasket, Sight Glass, EPDM, 4.0"	056511

5 Sight Glass Ferrule

Connection Size	Description	Part #
2.0"	Ferrule, Sight Glass, 316L, 2.0"	056516
2.5"	Ferrule, Sight Glass, 316L, 2.5"	056517
3.0"	Ferrule, Sight Glass, 316L, 3.0"	056518
4.0"	Ferrule, Sight Glass, 316L, 4.0"	056519

6 Tri-Clamp

Connection Size	Description	Part #
2.0"	Clamp, Tri-Clamp, 2.0"	020082
2.5"	Clamp, Tri-Clamp, 2.5"	020083
3.0"	Clamp, Tri-Clamp, 3.0"	020084
4.0"	Clamp, Tri-Clamp, 4.0"	020225

VessaLite™

● Don't Keep Your Process In The Dark

The VessaLite™ Sanitary Sight Glass Light helps illuminate process lines and equipment, using an LED process light, sight glass, and integrated mounting onto tri-clamp connections for an easy way to shed light on your process equipment, making for an easier inspection process.

The long lasting and durable LED light is compact, easy to install, and comes in various sanitary tri-clamp connection sizes to adapt to your process.

Applications include process tanks and equipment, parts washers, sight glasses, process components, or any other sanitary process where increased visibility inside the equipment is required.

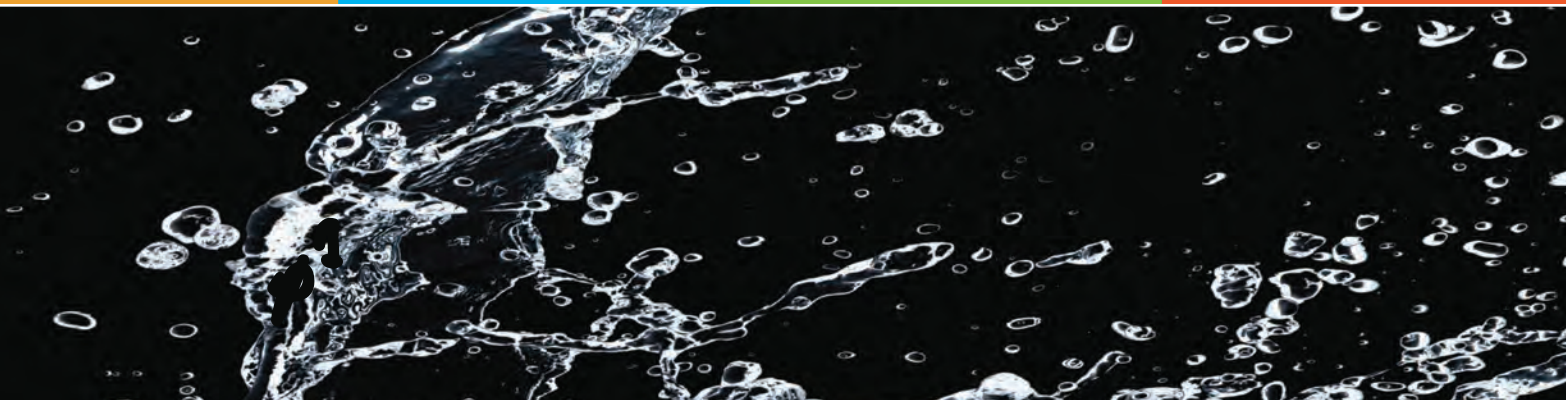


Food & Beverage

Bio-Pharm

Sanitary Components

Services





QUICK TIPS

Can I order just the sight glass?

Yes - the VL-3A sight glass is a cost effective, 3-A Certified, high operating temperature and pressure sight glass that can be used for any sanitary process sight glass needs.



Can I use this as a combination sight glass and light?

The 4.0" TC model's light is offset from center, and has enough visible sight glass space for using as a combination sight glass and light. Smaller sizes are intended for process lighting only and a secondary source for viewing (e.g., manway, additional sight glass) is required.

Is this unit 3-A Certified?



The VL-3A model sight glass used in the VessaLite™ assembly is 3-A Certified, which is the only process contact part of the assembly.

Can I use the light with another or existing sight glass?

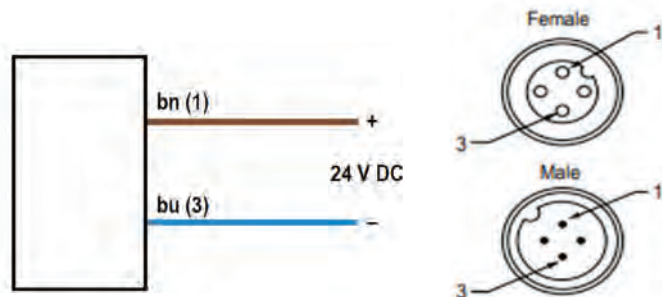
Yes - if using with an existing sight glass, the dimensions of the sight glass opening, process connection, and height of sight glass will need to be supplied to make sure the light tri-clamp bracket will work.

GOOD TO KNOW

Maximum Operating Conditions (Sight Glass / Process Slide):

Connection Size	Maximum Operating Conditions
2.0" TC	250 psi @ 250 °F
2.5" TC	200 psi @ 250 °F
3.0" TC	150 psi @ 250 °F
4.0" TC	125 psi @ 250 °F

- **Sight Glass Materials of Construction:** Borosilicate Lens / EPDM Gaskets
- **Operating Temperature (Light / Non-Process Slide):** 4 °F - 212 °F
- **Environmental Rating:** IP69k
- **Light Material of Construction:** Borosilicate Lens / 316ss Housing / Silicon Mounting Gasket (FDA Approved)
- **Light Characteristics:** 200 Lumens, 5000K Daylight White
- **Light Electrical Specifications:** UL Approved, 400 mA Max Current Draw, 4 Pin M12 Connection
- **Light Useful Life:** Output will decrease less than 30% after 36,000 hours
- **Wiring Diagram:**



VessaLite Full Assemblies

Process Connection Size	Description	Part #
2.0"	VessaLite™ Sanitary Sight Glass Light, 2.0" TC, with VL-3A Sight Glass	304699
2.5"	VessaLite™ Sanitary Sight Glass Light, 2.5" TC, with VL-3A Sight Glass	309922
3.0"	VessaLite™ Sanitary Sight Glass Light, 3.0" TC, with VL-3A Sight Glass	299389
4.0"	VessaLite™ Sanitary Sight Glass Light, 4.0" TC, with VL-3A Sight Glass	307723

NOTE: Full Assembly includes 10 meter 90° M12 Cable, Light, Light Tri-Clamp Bracket, VL-3A Sight Glass Assembly and EPDM Gaskets.



VessaLite Replacement Parts

VessaLite Light

Description	Part #
VessaLite™ Light (Light Unit Only)	311313



M12 Cable

Description	Part #
Cable, Female, M12, 10 m, 90 deg, Washdown	052066



Light Tri-Clamp Bracket

Process Connection Size	Description	Part #
2.0"	Light Tri-Clamp Bracket, 2.0" TC	309967
2.5"	Light Tri-Clamp Bracket, 2.5" TC	309969
3.0"	Light Tri-Clamp Bracket, 3.0" TC	309971
4.0"	Light Tri-Clamp Bracket, 4.0" TC	309973



VL-3A Sight Glass Assembly

Process Connection Size	Description	Part #
2.0"	VL-3A Sight Glass Assembly, 2.0" TC	055630
2.5"	VL-3A Sight Glass Assembly, 2.5" TC	056231
3.0"	VL-3A Sight Glass Assembly, 3.0" TC	055631
4.0"	VL-3A Sight Glass Assembly, 4.0" TC	055632



NOTE: VL-3A Sight Glass Assemblies come with the sight glass lens, sight glass ferrule, EPDM tri-clamp and sight glass gaskets, tri-clamp (NOTE: This is a standard tri-clamp; if the light tri-clamp bracket is required, it should be ordered in addition to this), and a tri-clamp short weld ferrule. See the VL-3A section for more information.

Washdown Equipment



Improving Your Manual Cleaning Processes

Cleaning your process equipment and processing areas has never been more important. Sani-Matic's Washdown Equipment includes a variety of city and boosted water pressure accessories, and portable belt cleaning equipment, ready to help your operators clean equipment that needs rinsing, chemical foaming, and sanitizing.

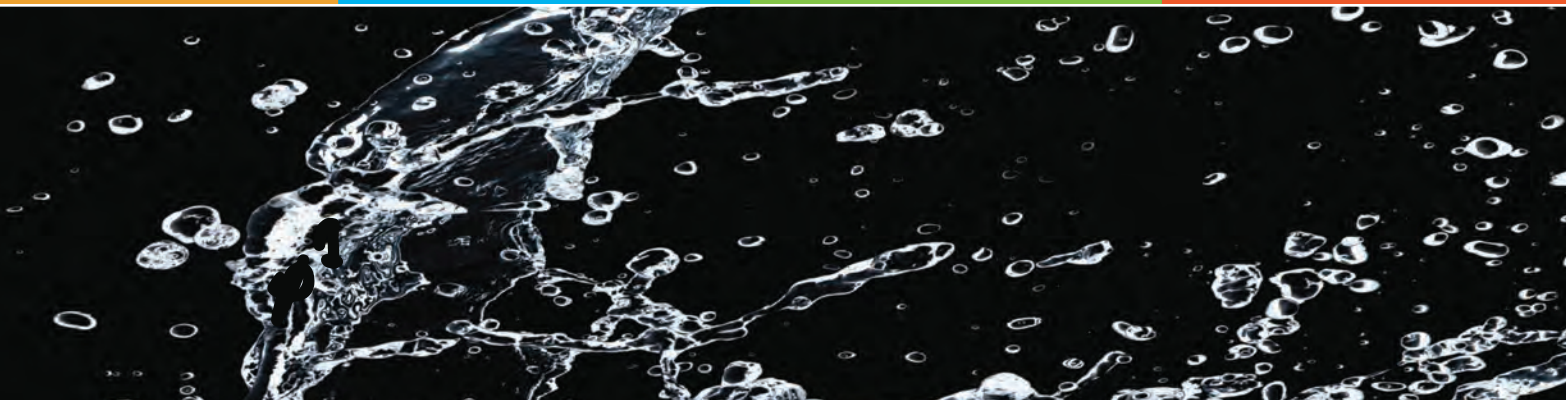


Food & Beverage

Bio-Pharm

Sanitary Components

Services



Cleaning Stations

Cleaning Stations - City Water

City water cleaning stations provide a combination of rinse, foam, and sanitize capabilities to your facility. Install these units where these cleaning and sanitizing activities are to occur.

Use directly with the listed city water pressure range, incorporate other utilities (e.g., compressed air, chemicals) as required and better equip your operators for more efficient cleaning processes.

Descrip.	Water Inlet Connection	Compressed Air Inlet Connection	Chem. Supply	Inlet Water Pressure (psi)	Max. Temp. (°F)	Product Details	Flow Rate (gpm) @40 psi			Part #
							Rinse	Foam	Sanitize	
Rinse Station	0.75" FNPT	-	-	35 - 125	180	Mounting Bracket/Station, 50' Hose, Rinse Nozzle with Shutoff Valve	7.2	-	-	023650
Foam Station	0.50" FNPT	0.25" FNPT	Suction Tube	35 - 125	180	Mounting Bracket/Station, Chemical Injection Assembly, 50' Hose, Foam Wand with Shutoff Valve	-	1.34	-	056125
Sanitize Station	0.50" FNPT	-	Suction Tube	35 - 125	180	Mounting Bracket/Station, Chemical Injection Assembly, 50' Hose, Sanitize Wand with Shutoff Valve	-	-	5.4	056126
Rinse / Foam Station	0.75" FNPT	0.25" FNPT	Suction Tube	35 - 125	160	Mounting Bracket/Station, Chemical Injection Assembly, 50' Hose, Sanitize Wand with Shutoff Valve	7.2	1.34	-	056127
Foam / Sanitize Station	0.75" FNPT	0.25" FNPT	Suction Tube (x2)	35 - 125	180	Mounting Bracket/Station, Chemical Injection Assembly (x2), 50' Hose (x2), Foam Wand with Shutoff Valve, Sanitize Wand with Shutoff Valve	-	1.34	5.4	056128
Rinse / Foam / Sanitize Station	0.75" FNPT	0.25" FNPT	Suction Tube (x2)	35 - 125	180	Mounting Bracket/Station, Chemical Injection Assembly (x2), 50' Hose (x3), Rinse Nozzle with Shutoff Valve, Foam Wand with Shutoff Valve, Sanitize Wand with Shutoff Valve	7.2	1.34	5.4	056129

Cleaning Stations - City Water



Rinse Station - City Water



Foam Station - City Water



Rinse / Foam Station - City Water



Rinse / Foam / Sanitize Station - City Water

Cleaning Stations - Boosted Pressure Water

Boosted pressure water cleaning stations provide a combination of rinse, foam, and sanitize capabilities to your facility. Install these units where these cleaning and sanitizing activities are to occur.

Use with a boosted water pressure source in the pressure range listed, incorporate other utilities (e.g., compressed air, chemicals) as required and better equip your operators for more efficient cleaning processes.

Descrip.	Water Inlet Connection	Compressed Air Inlet Connection	Chem. Supply	Inlet Water Pressure (psi)	Max. Temp. (°F)	Product Details	Flow Rate (gpm) @ 250 psi			Part #
							Rinse	Foam	Sanitize	
Rinse Station	0.50" FNPT	-	-	125 - 350	180	Mounting Bracket/Station, 50' Hose, Rinse Spray Gun	13.43	-	-	045862
Foam Station	0.375" FNPT	0.25" FNPT	Suction Tube	125 - 350	180	Mounting Bracket/Station, Chemical Injection Assembly, 50' Hose, Foam Wand (Requires Upstream Shutoff Valve)	-	2.97	-	056130
Sanitize Station	0.50" FNPT	-	-	125 - 350	180	Mounting Bracket/Station, Chemical Injection Assembly, 50' Hose, Sanitize Spray Gun	-	-	5.62	056131
Rinse / Foam Station	0.50" FNPT	0.25" FNPT	Suction Tube	125 - 350	180	Mounting Bracket/Station, Chemical Injection Assembly, 50' Hose (x2), Rinse Spray Gun, Foam Wand	13.43	2.97	-	056132
Foam / Sanitize Station	0.50" FNPT	0.25" FNPT	Suction Tube (x2)	125 - 350	180	Mounting Bracket/Station, Chemical Injection Assembly (x2), 50' Hose (x2), Foam Wand, Sanitize Spray Gun	-	2.97	5.62	056133
Rinse / Foam / Sanitize Station	0.75" FNPT	0.25" FNPT	Suction Tube (x2)	125 - 350	180	Mounting Bracket/Station, Chemical Injection Assembly (x2), 50' Hose (x2), Rinse/Sanitize Spray Gun, Foam Wand (Rinse/Sanitize connections use same hose/spray gun)	13.43	2.97	5.62	048467

Cleaning Stations - Boosted Pressure Water



(Trigger gun not to scale with unit)

Rinse Station - Boosted Pressure Water



Sanitize Station - Boosted Pressure Water



(Trigger gun and foam wand shown at smaller scale than the unit)

Rinse / Foam / Sanitize - Boosted Pressure Water

Conveyor Belt Cleaning

Conveyor Belt Cleaning

These portable conveyor belt cleaning units provide foaming or sanitizing capabilities for cleaning process belt systems in place.

Use directly with the listed city water pressure range, incorporate other utilities (e.g., compressed air, chemicals) as required and better equip your operators for more efficient conveyor belt cleaning processes.

Descrip.	Water Inlet Connection	Compressed Air Inlet Connection	Chem. Supply	Inlet Water Pressure (psi)	Max. Temp. (°F)	Product Details	Flow Rate (gpm) @40 psi		Part #
							Foam	Sanitize	
Portable Conveyor Belt Foamer 2-Arm (Up to 32" Wide) - City Water	0.50" FNPT	0.25" FNPT	Suction Strainer	35 - 125	160	Portable Cart with Wheels, Integrated 5 gal. Chemical Jug Rack, Pressure Gauges for Incoming Air/Water, Chemical Injection Assemblies (Top/Bottom Belt), 360° Adjustable Spreader Nozzles™ for foam coverage: 6" overhead distance = 12" wide coverage 12" overhead distance = 20" wide coverage 24" overhead distance = 32" wide coverage	0.65	-	056139
Portable Conveyor Belt Foamer 2-Arm (Up to 48" Wide) - City Water	0.50" FNPT	0.25" FNPT	Suction Strainer	35 - 125	160	Portable Cart with Wheels, Integrated 5 gal. Chemical Jug Rack, Pressure Gauges for Incoming Air/Water, Chemical Injection Assemblies (Top/Bottom Belt), 360° Adjustable Spreader Nozzles™ for foam coverage: 12" overhead distance = 30" wide coverage 24" overhead distance = 48" wide coverage	1.34	-	056140
Portable Conveyor Belt Sanitizer 2-Arm (Up to 48" Wide) - City Water	0.75" FNPT	-	Suction Strainer	35 - 125	160	Portable Cart with Wheels, Integrated 5 gal. Chemical Jug Rack, Pressure Gauges for Incoming Water, Chemical Injection Assemblies (Top/Bottom Belt), 360° Adjustable Spreader Nozzles™ for foam coverage: 28" overhead distance = 48" wide coverage	-	4.0	056141



Portable Conveyor Belt Foamer 2-Arm



Portable Conveyor Belt Sanitizer 2-Arm

Cleaning Station Accessories

Accessories

Hose racks, chemical jug holders, and lids can be paired with cleaning stations to create an efficient process setup.

Description	Chemical Supply	Product Details	Part #
Hose Rack, SS, Small	-	Wall Mount, Up to 50' of 3/4" ID Hose	056134
Hose Rack, SS, Large	-	Wall Mount, Up to 75' of 1" ID Hose	036241
Hose Rack, SS, XL	-	Wall Mount, Up to 100' of 1" ID Hose	056135
Chemical Jug Rack, SS, 1 Gallon, Round/Square	-	Approx. 6.75" x 6.63" Opening for Chemical Jugs	056136
Chemical Jug Rack, SS, 2 1/2 Gallon	-	Approx. 8.75" x 10.75" Opening for Chemical Jugs	033382
Chemical Jug Rack, SS, 5 Gallon, Round/Square	-	Approx. 13" x 13" Opening for Chemical Jugs	056137
Lid, Polypropylene, 1 Gallon Jug W/ Strainer	0.25" Hose Barb	Hose Barb Chemical Connection, Screwed Lid, 14" Suction Tubing, Hastelloy Strainer	056138



Hose Rack, SS, Large



Chemical Jug Rack, SS, 1 Gallon, Round/Square



Chemical Jug Rack, SS, 2 1/2 Gallon



Chemical Jug Rack, SS, 5 Gallon, Round/Square



Lid, Polypropylene, 1 Gallon Jug W/ Strainer (Chemical Jug not included)

Tanker Spray Washers

Reliable Spray Options for Small to Large Tankers

Sani-Matic provides two different models of drop-in style tanker spray washers for tanks transporting bulk food grade liquids. The TS-4 static spray washer and TS-5 impingement spray washer are capable of cleaning a variety of soils including dairy, juice, and more.

The TS-4 is designed to thoroughly clean tankers up to 44 feet in length. It features a center-positioned, static spray ball with a top-to-bottom spray pattern. The top of the tanker is sprayed directly with the solution, which then cascades down the sides of the tank removing soil. It also includes two multi-bore jet nozzles to reach all product contact surfaces.

The TS-5 is ideal for cleaning larger tankers, as well as tanks that require high-impact cleaning for tough soils. Its S-shaped manifold positions the rotary spray device's nozzle for 360° spray coverage without obstruction, cleaning all product contact surfaces inside the tank.



Model TS-4



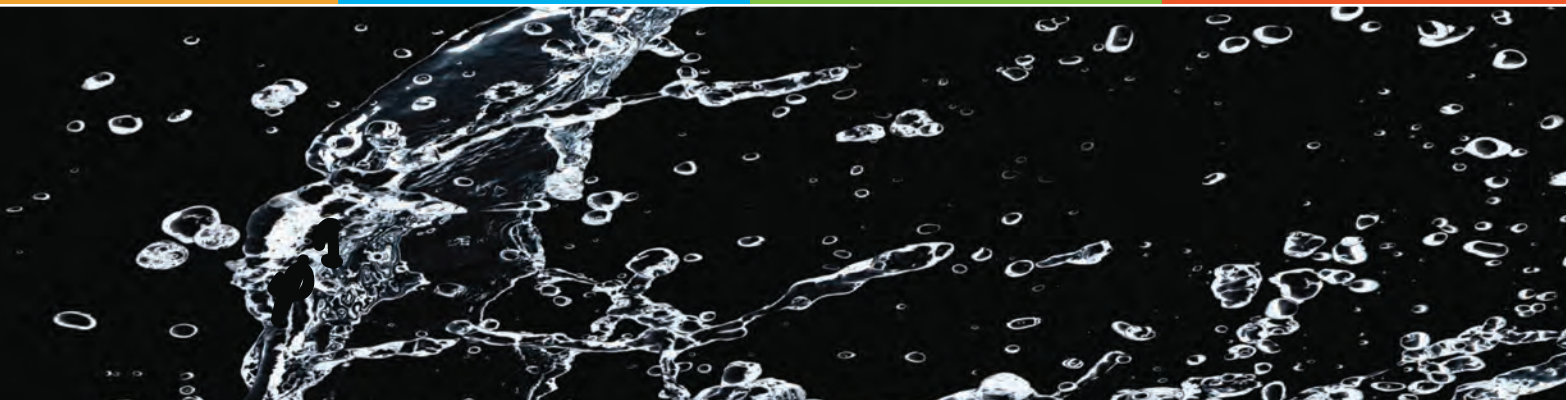
Model TS-5

Food & Beverage

Bio-Pharm

Sanitary Components

Services



QUICK TIPS

Did you know Tanker Spray Washers do not need to be 3-A Certified?

There is not a 3-A standard for tank cleaning devices that are removed. The only 3-A standard for tank cleaning is standard number 78-03 for Spray Cleaning Devices Intended to Remain in Place. 3-A standard number 05-15 for Automotive Transportation Tanks for Bulk Delivery and Farm Pick-Up Service, allows for these tanks to be cleaned by impingement or flowing cleaning solutions over the surface, but gives no other stipulation.



GOOD TO KNOW

Model TS-4

The TS-4 features a center spray ball for a top spray pattern and two multi-bore jet nozzles for tank end washing. The vented manway cover has a bail handle and two hold downs with gasket.

Model TS-5

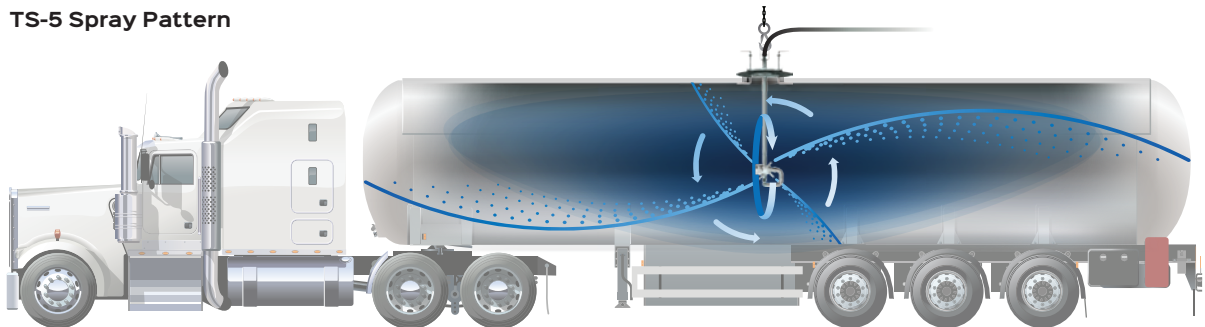
The S-shaped manifold doubles the spray volume to the ends of the tanker. Combined with the rotary spray device, it creates 360° spray coverage allowing direct impingement of the cleaning solution to the entire tank. High-pressure nozzles provide the reach needed to clean long tankers.

Both TS-4 and TS-5 spray assemblies are not available with Material Test Reports (MTRs).

TS-4 Spray Pattern



TS-5 Spray Pattern



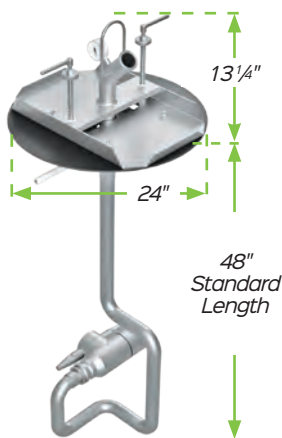


Model TS-4 Complete Assembly

Drop-in style washer is ideal for 44' tankers.

Connection Description	Connection Size	Flow Requirements	Approximate Weight	Max. Temperature Rating	Materials of Construction	Part #
Tri-Clamp	2.0"	120 gpm @ 55 psi	50 lbs	212 °F	304ss / bead blast finish	153190
Bevel Seat	2.0"	120 gpm @ 55 psi	50 lbs	212 °F	304ss / bead blast finish	S10090

NOTE: Temperature rating is with a neoprene manway gasket.

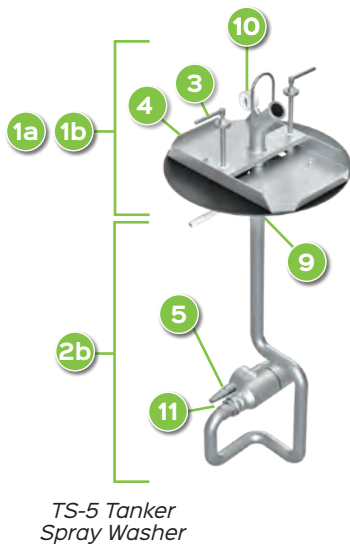


Model TS-5 Complete Assembly

Drop-in style washer is ideal for large tankers, having an impact throw length of 50' at the listed operating conditions. The TS-5 spray assembly requires a 18" or larger manway for insertion.

Connection Description	Connection Size	Flow & Pressure Requirements	Approximate Weight	Max. Temperature Rating	Materials of Construction	Part #
Tri-Clamp	2.0"	82 gpm @ 60 psi	70 lbs	208 °F	304ss / bead blast finish	299209
Bevel Seat	2.0"	82 gpm @ 60 psi	70 lbs	208 °F	304ss / bead blast finish	299210

Tanker Spray Washer Replacement Parts



Replacement Parts	Part #
1a Top only (bevel seat)	360004
1b Top only (tri-clamp)	138806
2a Bottom only – TS-4	360075
2b Bottom only – TS-5 (no spray)	298663
3 Arm/Spring Assembly (set of 2)	S10093
4 TS-4/TS-5 Manway Gasket (Neoprene, standard, 212 °F max)	320053
5 TS-5 Spray Nozzle	055000
6 TS-4 Nozzle	321793
7 TS-4 Nozzle Gasket (EPDM)	020455
8 Nozzle Clamp	020473
9 Clip	320068
10 Pressure Gauge	031564
11 Adapter Kit	299883
Old Model TS-5 Replacement Parts	
2b Bottom only – TS-5 (no spray)	138890
5 TS-5 Spray Nozzle	048812

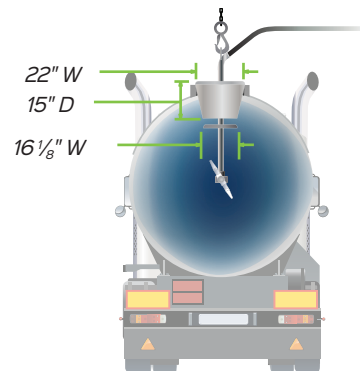
NOTE: Replacement parts for TS-5 assemblies bought prior to 2021.

Accessories: Equipment for Drop-In Handling

Tapered Manway Assembly

For use with rotating spray heads. Used in applications where impingement cleaning is required to remove heavily soiled products.

Connection Size	Approximate Weight	Part #
1.5" MNPT (both supply and nozzle connections)	72 lbs	360115



System Accessories

System Accessories and Replacement Parts to Meet Diverse Cleaning Needs

Whether manufactured in Wisconsin by our dedicated craftsmen or sourced from long-trusted suppliers, our lineup of accessories and replacement parts are available to help you meet your sanitation goals – and make your work day easier.

From CIP air eliminators, mushroom air vents, transfer panels and chemical pumps to COP steam regulator valves, hose racks and COP baskets, we offer the accessories and replacement parts needed for a sanitary cleaning process.

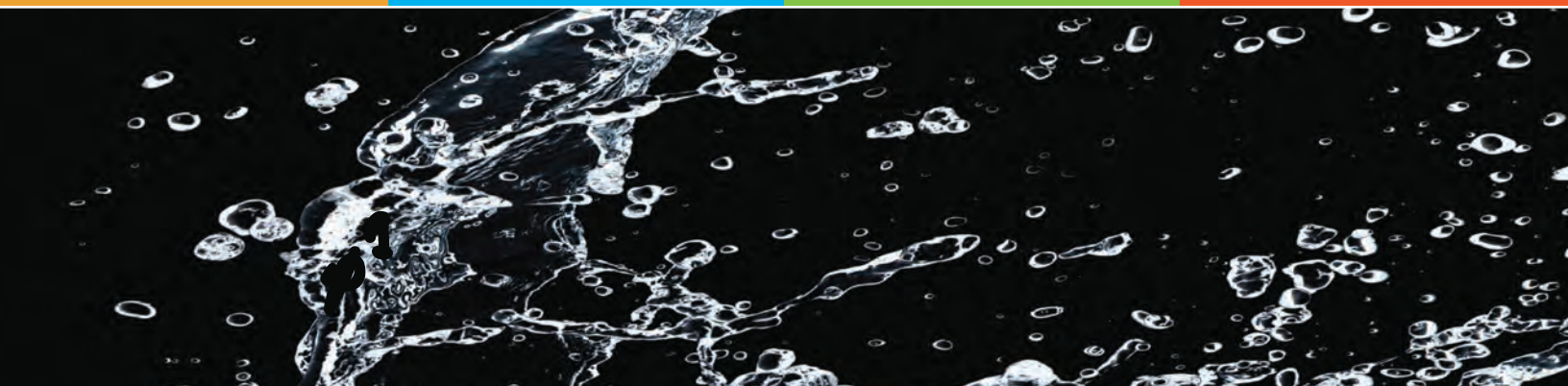


Food & Beverage

Bio-Pharm

Sanitary Components

Services



COP System Accessories

In-Tank Steam Mixer/Sparger

The steam mixer/sparger mixes steam with water in the tank to reduce noise and maximize heating capacity. Steam mixers/spargers are attached to either in-tank piping or a coupling that is mounted through the tank sidewall.

Description	Steam Inlet Connection	Tank Connection	Length	Part #
316L stainless steel with one-piece ferruled assembly	0.5" MNPT	3.0" TC	8.69"	252795
	0.75" MNPT	3.0" TC	9.44"	252790
	1.0" MNPT	3.0" TC	8.13"	252792

NOTE: Sizing is determined by the line size & steam valve through which steam is delivered.
NOTE: For older models with coupling welded into sidewall call a Sani-Matic sales representative.

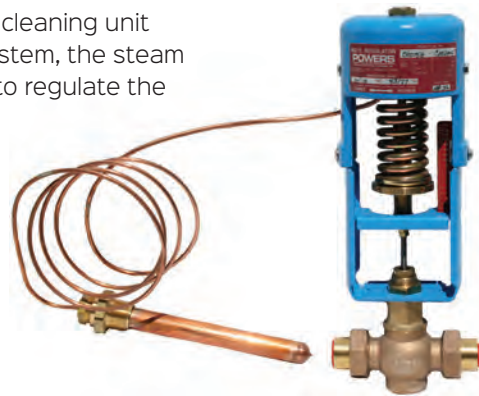


Steam Regulator Valve

The steam regulator automatically controls the temperature of your cleaning unit without the use of external power. With a vapor pressure thermal system, the steam regulator senses temperature change and positions the valve plug to regulate the heating or cooling medium to maintain a desired temperature.

Description	Connection Size	Part #
Brass with an FNPT connection type	0.5"	020494
	0.75"	020495
	1.0"	020506

NOTE: Maximum temperature setpoint is 170 °F.



Thermowell for Steam Regulator Thermal Bulb

Description	Part #
Thermowell, 321 stainless steel tube, 9.25" overall length, 316 stainless steel fitting, 2.0" Tri-Clamp tank connection x 1.0" FNPT Thermowell connection	221907

Tri-Clamp x FNPT Fitting Thermowell



Electric Immersion Heater

Description	Power Rating	Part #
Manual Thermostat, Thermocouple, 3" Tri-Clamp, NEMA 4X Head, 50° - 250 °F, 460V AC	7.5 kW	042243
	9.0 kW	042244
	12.0 kW	042245

NOTE: Additional voltages and sizes are available upon request.

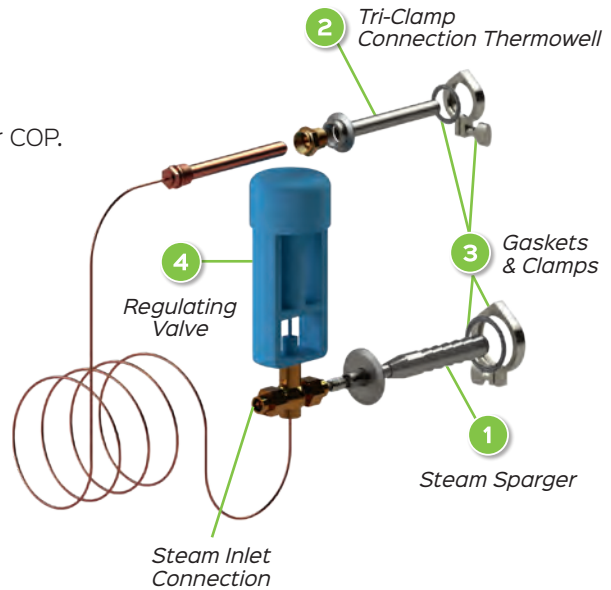


In-Tank Steam Kit

All the components for adding steam capabilities to your COP.

Steam Inlet Connection	Kit Assembly	Part #
0.50 FNPT	1 Steam Sparger	160813
	2 Thermowell	
	3 Clamps & Gaskets	
	4 Regulating Valve	
0.75 FNPT	Same as above	160814
1.0 FNPT	Same as above	160815

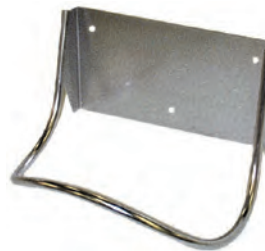
NOTE: Maximum pressure for mixer/sparger is determined by the incoming connection line.



Hose Racks

Stainless steel hose racks provide a convenient way to store hoses at cleaning stations and COP tanks. They are available in two styles.

Description	Model #	Part #
5" x 12" backing plate	201A	740017
Mounting holes at each end	201B	740684



Model 201A



Model 201B

COP Parts Washer Accessories

The following options are available to enhance your previously purchased COP system.

Electric Motor Starter

NEMA 4X, stainless steel enclosure UL 508A.

COP Model	Voltage	Part #
RW06	5 HP, 460V AC	835391
RW08	7.5 HP, 230V AC	836523



COP Cover

Counterweighted sanitary cover assembly.

Description	COP Model	Part #
304 stainless steel	RW06	166376
	RW08	172152



Heavy-Duty Casters

Add flexibility to your COP washer. Set of four (4) complete swivel caster assemblies.

Description	Part #
304 stainless steel	138593



Push-in Adjustable Feet Kit

Kit includes set of four (4) feet.

Description	Part #
1.50" diameter, stainless steel clad	256416
2.00" diameter, stainless steel clad	256417



Removable End-Drain Table

Drain table to place parts for drying or reassembly.

Description	Part #
304 stainless steel	144416



NOTE: Drain tables cannot be used with a hinged cover when the cover is closed.

Please contact your Sani-Matic Sales Representative about installation recommendations and options.

Standard COP Parts Baskets

Sani-Matic COP Parts Baskets allow for thorough cleaning, while reducing the number of damaged and lost parts. Baskets make it easy and safe for workers to handle valuable components. The second number listed in the model designates the baskets handle height (e.g., URWB-7-18 has an 18" handle height).

Model	Description	Part #	Basket Dimensions (LxWxH inches)	Handle Height (inches)	COP Without Cover				COP With Cover			
					UW	RW	PW	TW	UW	RW	PW	TW
URWB-1 (Standard)	Placement: Tank bottom, non-stacking Common Uses: Small Parts Construction: 316L sheet, 3/8" diameter perforations, bead blast finish	460030	19.00 x 15.00 x 3.50	17.50	✓	✓	✓	✓	✓	✓	✓	✓
URWB-2 (Standard)	Placement: Tank bottom, non-stacking Common Uses: Fittings Construction: 316L round bar, 1" spacing, electropolished finish	020132	19.75 x 15.00 x 4.00	15.75	✓	✓	✓	✓	✓	✓	✓	✓
URWB-5-17 (Standard)	Placement: Edge of tank (hanger style) Common Uses: Small parts Construction: 316L sheet, 3/16" diameter perforations, electropolished finish	020139	12.00 x 6.00 x 10.00	17.63	✓	✓	✓	✓	✓	✓	✓	✓
URWB-5-19	Placement: Tank bottom, non-stacking Common Uses: Small parts Construction: 316L sheet, 3/16" diameter perforations, electropolished finish	221298	12.00 x 6.00 x 10.00	19.00	✓	✓	✓	✓	✓	✓	✓	✓
URWB-6-24 (Standard)	Placement: Tank bottom, non-stacking Common Uses: Small parts Construction: 316L round bar, 1" spacing electropolished finish	020136	22.00 x 10.50 x 10.00	24.00	✓	✓	✓	✓				✓
URWB-6-15	Placement: Tank bottom, non-stacking Common Uses: Small parts Construction: 316L round bar, 1" spacing electropolished finish	218495	22.00 x 10.50 x 10.00	15.00	✓	✓	✓	✓	✓	✓	✓	✓
URWB-6-19	Placement: Tank bottom, non-stacking Common Uses: Small parts Construction: 316L round bar, 1" spacing electropolished finish	218496	22.00 x 10.50 x 10.00	19.00	✓	✓	✓	✓	✓	✓	✓	✓
URWB-7-29 (Standard)	Placement: Tank bottom, non-stacking Common Uses: Large parts Construction: 316L round bar, 1" spacing, electropolished finish	440021	22.00 x 22.00 x 18.00	29.00		✓	✓	✓			✓	
URWB-7-18	Placement: Tank bottom, non-stacking Common Uses: Large parts Construction: 316L round bar, 1" spacing, electropolished finish	221293	22.00 x 22.00 x 18.00	18.00		✓	✓	✓		✓	✓	✓

NOTE: Non-standard basket lead times may be longer.
NOTE: Custom baskets are available. Contact a Sani-Matic Representative.



URWB-1



URWB-2



URWB-5-17



URWB-6-24



URWB-7-29

CIP System Accessories

Level Probe

The three-point level probe maintains the correct solution levels in a tank.

Connection Size	Part #
2" Tri-Clamp connection for mounting on the top of tanks	220293



NOTE: All probes are cut to length. For replacement level probes, please measure the lengths of the existing model.

Orifice Plates

These flow restrictors come with an 1/8" diameter pilot hole, but can be drilled to your specifications.

Connection Size	Material	Gasket OD	Gasket ID	Part #
0.75" Tri-Clamp	EPDM	0.860	0.620	048700
1.0" Tri-Clamp	EPDM	1.984	0.900	048701
1.5" Tri-Clamp	EPDM	1.984	1.400	022074
2.0" Tri-Clamp	EPDM	2.515	1.900	048696
2.5" Tri-Clamp	EPDM	3.050	2.400	023641
3.0" Tri-Clamp	EPDM	3.579	2.900	048695
4.0" Tri-Clamp	EPDM	4.682	3.869	048702

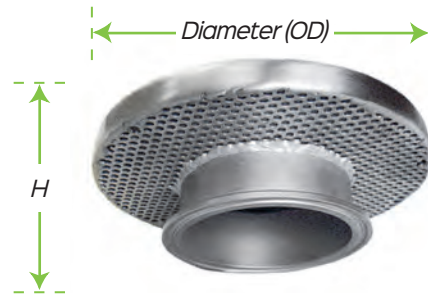


NOTE: Also available in Viton.

Mushroom-Style Air Vent

These vents are constructed of 316L stainless steel with a solid radiused and panned top. The underside portion is constructed with 1/8" perforated material. The vents may be installed on CIP tanks to prevent foreign materials from entering the tank.

Connection Size	Diameter (OD)	Height (H)	Part #
1.5" Tri-Clamp	3 1/8"	1 13/16"	740828
2.0" Tri-Clamp	5"	1 13/16"	740829
2.5" Tri-Clamp	5"	1 13/16"	740830
3.0" Tri-Clamp	6"	1 13/16"	740831
4.0" Tri-Clamp	7 3/4"	1 13/16"	740832
6.0" Tri-Clamp	10"	2 3/8"	741502



NOTE: Tank vent sizing is the responsibility of the installing user.

Anti-Siphon

The anti-siphon is constructed of 316L stainless steel and eliminates the siphoning of water from the tank back into the process water.

Height (Face-to-Face Dimensions): 3 3/4"

Tank Connection	Tube Adapter	Flow Capacity	Part #
3.0" Tri-Clamp	1.5" Tri-Clamp	100 gpm	123416
3.0" Tri-Clamp	2.0" Tri-Clamp	240 gpm	129208



GOOD TO KNOW

The air eliminator is constructed of 316L stainless steel and installed at the suction of a CIP return pump to remove air from CIP return solution and prevent air lock in a centrifugal pump.

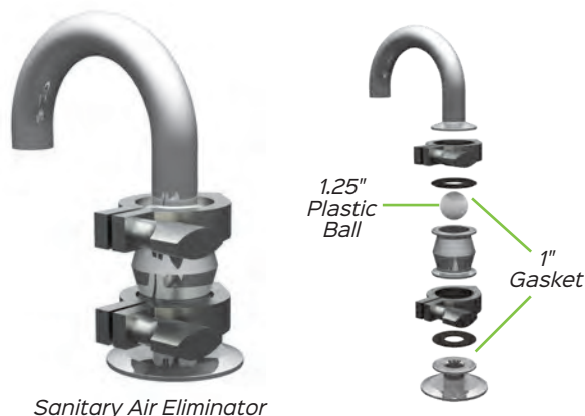
The weight of the air eliminator ball ensures that when air is passing it should stay in the open position. Once there is liquid in the line, the ball will float and seal. When this occurs you will have some solution escape out of the device; this is common. In addition, some chattering noise while the ball passes air and then re-seals is also common.

NOTE: If the pump is used during processing to transfer product, the air eliminator is usually removed and the port is capped.



Sanitary Air Eliminator

Connection Size	Part #
1.5"	740636
2.0"	740637
2.5"	740638
3.0"	740639
4.0"	740640



Sanitary Air Eliminator

Replacement Parts	Part #
1" Gaskets (Buna-N, Qty. 2 Required)	020388
Plastic Ball (1.25")	020280

CIP Return Pump Air Vent

The return pump air vent is installed to expel air, avoiding cavitation and air lock that can cause wash program disruption. Ball valve shut-off is available.

Description	Part #
304 stainless steel, 1/4" FNPT	720001

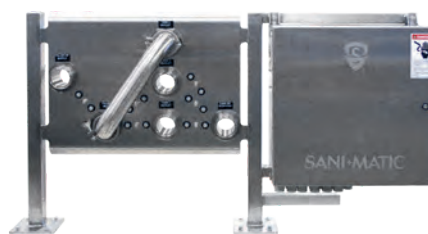


Transfer Panels

Reduce piping and valve costs by creating multi-port flow selector stations with a Transfer Panel.

Description	Custom
Three styles: round, rectangular and square	Designed for your process*

*Call a Sani-Matic representative to discuss your Transfer Panel requirements.



CIP & COP System Accessories

Chemical Pumps

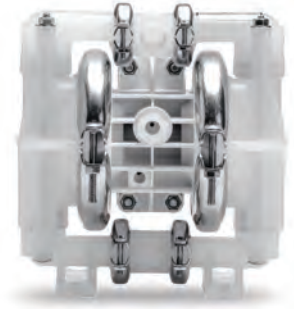
Sani-Matic offers high-quality Wilden pumps on our chemical pump assemblies. The Air-Operated Double-Diaphragm (AODD) pumps ensure reliability and easy installation.

Pump Features/Benefits

- Self-priming
- Variable speed
- Dry-run without damage
- Longest Mean Time Between Repair (MTBR)
- Anti-freezing
- Robust design
 - **Polypropylene** - wetted parts, outer piston, center section and air valve
 - **PTFE** - valve ball, diaphragm O-ring (neoprene back-up) and valve seat O-ring (encap. Viton)



Diaphragm Pump, 1/4" connection size



Diaphragm Pump, 1/2" connection size

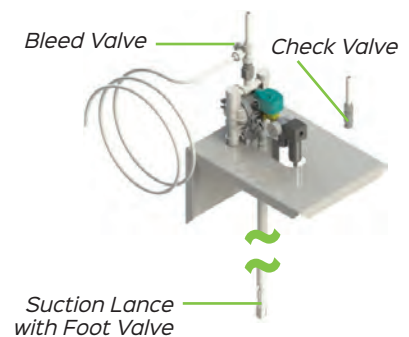
Pump Only

Description	Connection Size	Max gpm	Part #
Diaphragm pump, 1/4", Polypropylene	1/4"	4.8	90028
Diaphragm pump, 1/2", Polypropylene	1/2"	15.0	900510

Pump Assemblies

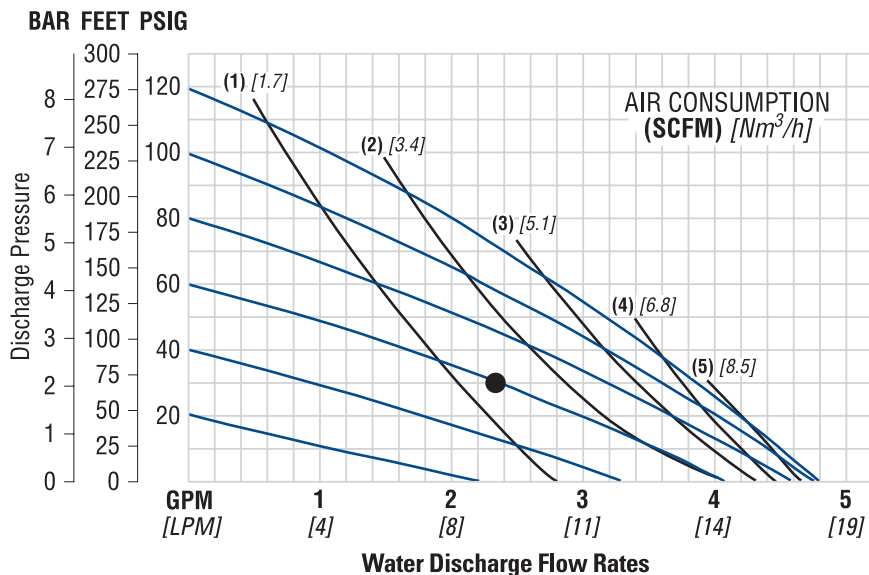
Assemblies include mounting bracket, check valve, and complete piping kit.

Max gpm	Voltage	Part #
4.8	24V DC	109640
4.8	120V AC	760504
15.0	24V DC	109211
15.0	120V AC	760455

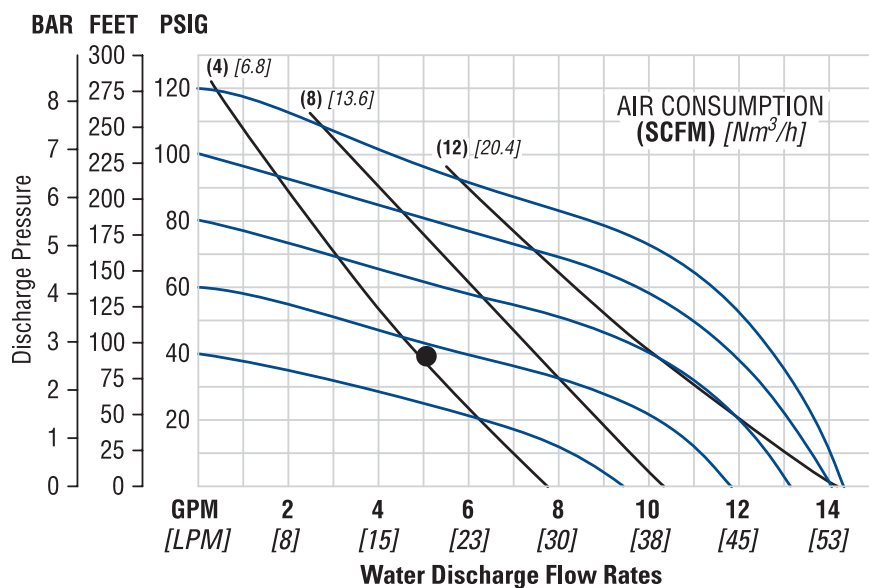


Chemical Pump Performance Curves

**Curve for Pump with 1/4" Connection Size
(Part # 900028)**



**Curve for Pump with 1/2" Connection Size
(Part # 900510)**



Documentation Packages

Sani-Matic can provide complete component documentation packages to meet your validation requirements.

- Material Test Reports (MTRs)
- Weld qualification, log and inspection reports
- Weld map
- Mechanical polishing procedures
- Electropolishing procedures and certifications
- Surface finish certification
- General and subassembly as-built drawings
- Spray pattern layout with degrees and angles
- Weld procedures



Component Documentation / Turn Over Packages (TOP)				
Document Name	Document Description	Basic	Standard	Premium
Material Test Report (MTR)	MTR is a quality assurance document that certifies a material's chemical and physical properties and states the product made is compliant within the specific set standards. It also states the identification number of the batch/lot of steel, which the part/material was made from at the mill.	✓	✓	✓
3-A Certification	A document certifying that the equipment listed conforms fully with 3-A Accepted Practices.	✓	✓	✓
Sani-Matic Certificate of Compliance	A document that the equipment listed conforms fully with Sani-Matic's Internally Accepted Practices.	✓	✓	✓
Certified "As-Built"	A certified drawing that documents the as-built dimensions and surface finish produced in manufacturing.	-	✓	✓
Heat Map	A certified document that contains details of an assembly where each of the materials' heat numbers are recorded. A heat map can stand by itself or be combined with a weld map and slope map.	-	✓	✓
Weld Map	A certified document that contains details of a piping assembly where each weld is identified with a unique number. The identifying number is used on the weld log which profiles each weld.	-	✓	✓
Weld Log	A certified document that records all welds contained in a weld map. The profile of each weld recorded includes heat numbers of the material, the detail where the weld is located, the welder's I.D., the date of the weld, the machine used to weld, and the Quality Inspector's approval sign-off.	-	✓	✓
Surface Finish Certification	Part of the as-built drawing that states Sani-Matic has verified the assembly or that the parts' surface finish meets the agreed upon requirements in the sales order.	-	✓	✓
Borescope Video Documentation	The AWS-certified weld inspector will utilize a borescope to inspect the welds. The inspector will record all weld inspections. The videos are loaded to a DVD, which corresponds with the weld map/weld log.	-	-	✓
Electropolish Certification (EP Cert)	A certified document that states that electropolishing was performed to the assembly or parts as agreed upon in the sales order.	-	-	✓
Passivation Certification	A certified document that states that citric acid passivation was performed to assemblies or parts as agreed upon in the sales order.	-	-	✓
Slope Map	Part of the as-built drawing where the actual slope of the piping or sheet is recorded to verify slope for proper drainage.	-	-	✓

Product Certifications / Standards

Product	CRN	3-A	Notes
Strainers			
Angle-Line Strainers (4" Body Size)	✓	✓	All 4" Angle-Line Strainers have a CRN except those with a Butt Weld connection type, Magnetic Trap, Sight Glass or Drain Port options.
High-Capacity Angle-Line Strainers (6" Body Size)	-	✓	3-A Certified when using perforated elements.
Angle-Line Strainer w/ Magnetic Trap	-	-	-
Straight-Line Strainers	-	✓	3-A Certified when using perforated elements.
Tee-Line Strainers	-	-	-
Y-Strainers	-	✓	3-A Certified when using perforated elements.
Basket Strainers	-	✓	3-A Certified when using perforated elements.
Static Spray Devices			
Static Spray Balls	-	✓	3-A Certified when Tri-Clamp or threaded connections are NOT used.
Supply Tubes			
Supply Tubes	-	✓	3-A Certified when threaded connections or tri-clamp spray ball connections are NOT used.
Double Ball Tees	-	✓	3-A Certified.
Rotary Spray Devices			
TANKO RB	-	-	-
TANKO S	-	-	-
TANKO SF40	-	✓	3-A Certified.
TANKO CP	-	-	-
Jet Spray Devices			
TANKO MX	-	-	-
TANKO JM	-	-	-
Additional Rotary & Jet Spray Devices			
TANKO CR	-	-	-
TANKO JX	-	-	-
TANKO RT	-	-	-
Sight Glasses			
VL-3A	-	✓	3-A Certified.



Find CRN and 3-A Certifications Here

Sanitary Components



SANI+MATIC®

Sani-Matic, Inc.

(p) 800-356-3300

(f) 608-222-5348

FBC-0001.5

sanimatic.com

