

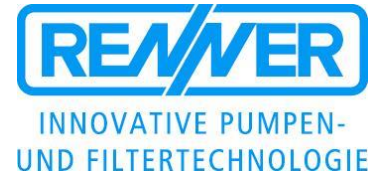
DATASHEET

Magnetically coupled pump

RM 5 – 25/1700

Motor output

7,5kW / 11,0kW / 15,0kW
2900 or 3450 rpm [2-pol.]




Magnetically coupled, centrifugal pumps, single-stage, horizontal, non self-priming, made in monobloc design.

		RM5 - 25/1700							
Motor output	[kW]	7,5		11,0		15,0			
Rated current @ 400V 50Hz 3ph.	[A]	13,5		19,1		26,0			
Head max.	[mWS]	24		24		24			
Capacity max.	[l/min.]	1700 [102m³/h]		1700 [102m³/h]		1700 [102m³/h]			
Density max. @ Qmax	[g/cm³]	1,1		1,6		2,0			
Length „L“	IE2	IE3	[mm]	757	757	771	771	815	815

Materials:



Technical data

Medium-temperature max.	PP PVDF	80 °C 95 °C	<div style="text-align: center;"> <h3>Flow curves RM5 - 25/1700</h3> <p>Speed: 2900 rpm @ 50Hz or 3450 rpm @ 60Hz</p> <p>Values based on water at 20 °C (68 °F) / Measured value +/- 10%</p> <p>Subject to technical alterations !</p> </div>
System-pressure max.	PP PVDF	6,0 bar 6,0 bar	
Viscosity	< 160 Pa s		
Electrical motor	3-ph. motors, 50 and 60Hz, IE2, IE3 or IE4 Protection IP55, Isolationclass F , Chemical resistant 2K- painting RAL5011		
Options	<i>Thermal protection, other voltages / frequencies, UL, CSA, Special paintings and colors</i> 		

DATASHEET

Magnetically coupled pump

RM 5 – 25/1700

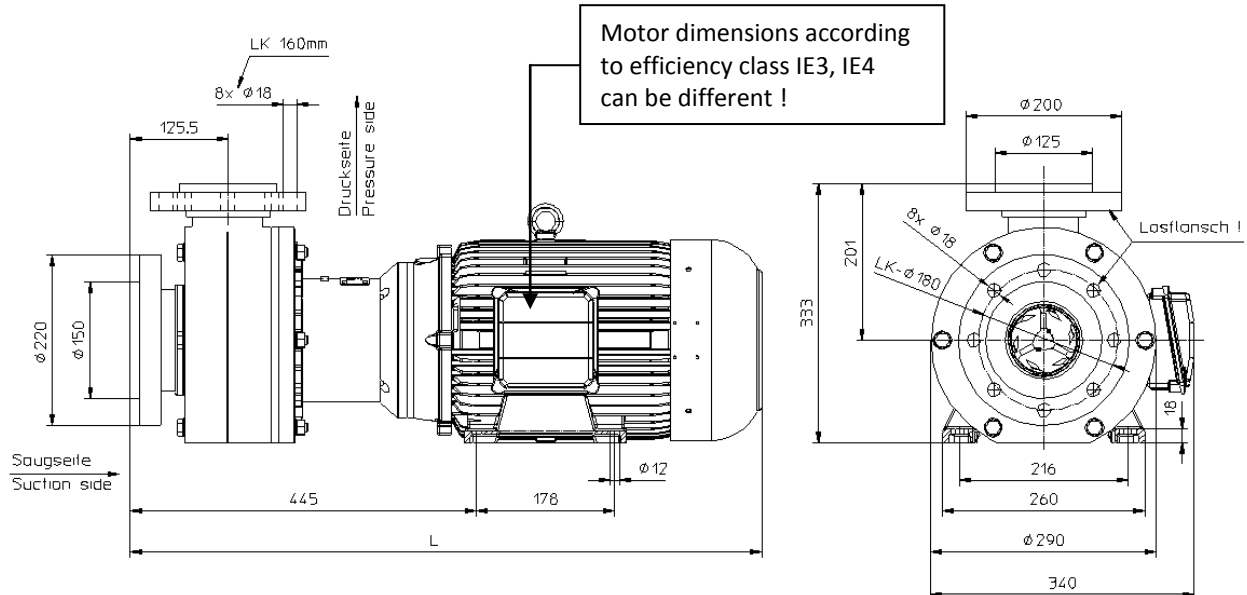
Motor output

7,5kW / 11,0kW / 15,0kW
2900 or 3450 rpm [2-pol.]

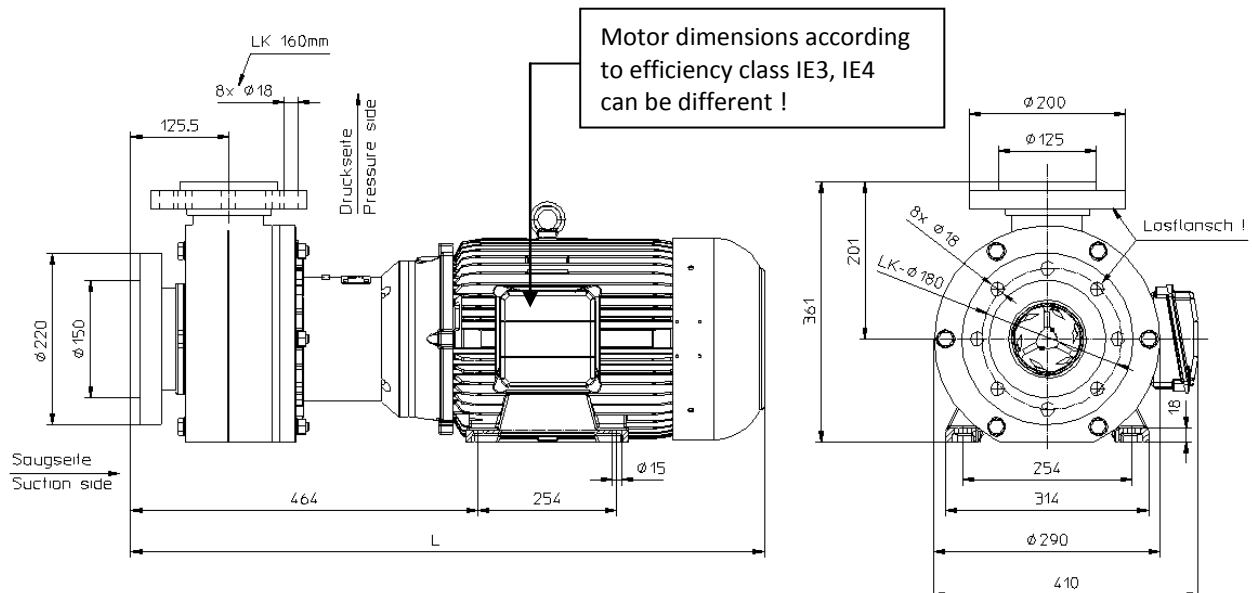


Dimensional drawings [mm]

Motor output 7,5kW IE2 + IE3



Motor output 11,0kW – 15,0kW IE2 + IE3



Motor dimensions can be different ! • Subject to technical alterations !

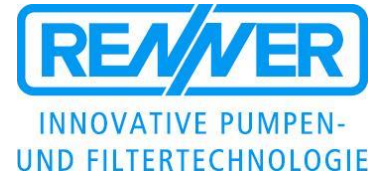
DATASHEET

Magnetically coupled pump

RM 5 – 25/1700

Motor output

7,5kW / 11,0kW / 15,0kW
2900 or 3450 rpm [2-pol.]

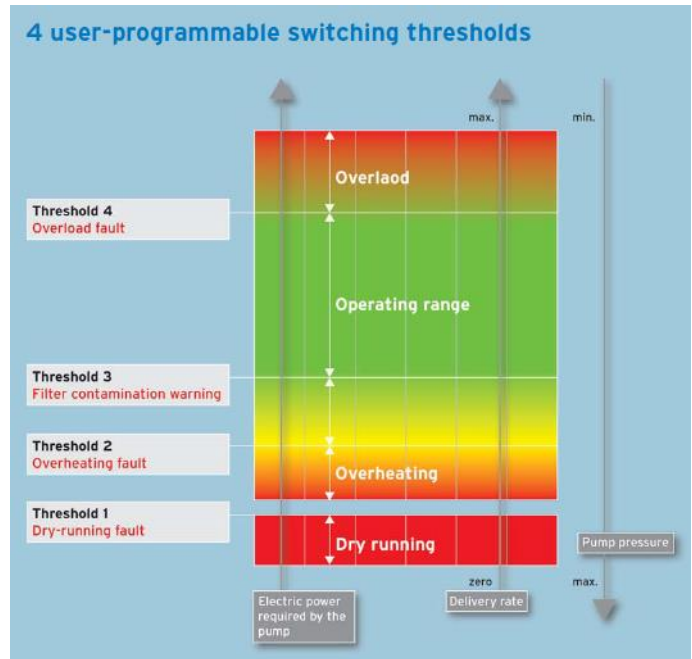


Monitor and protect your pump and your process !

Electronic process monitoring -> RPR-Control



- Monitoring the filter fouling
- Dry running
- Overheating
- Overload



Subject to technical alterations !