

DA 175 Actuator

Technical Info



1 Product description

The DA 175 is an actuator that is specially designed for control of air intake inlets.

The actuator is available in several variations with a tensile force of 100 kg, 150 kg, 300 kg or 600 kg.

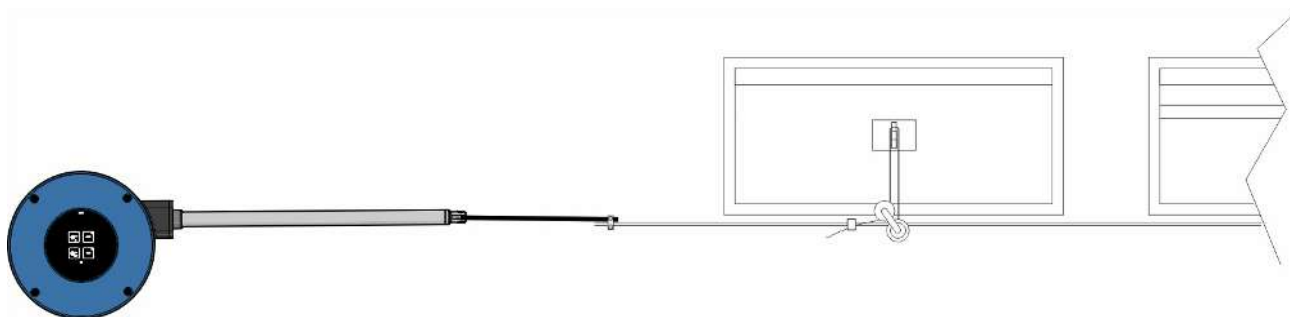
The actuator can be set to modes ON/OFF, stepless or analogue control with a jumper on the circuit board. These three settings can also be reserved.

The actuator can be set with an optional end stop for open- and closed positions.

The actuator has a compact design that is easy to clean.

The actuator can be controlled manually.

When the DA 175 is equipped with 24 V DC, emergency opening is possible through battery power.



2 Product survey



432110 DA 175-100 actuator 24 V DC

432111 DA 175-150 actuator 24 V DC

432112 DA 175-300 actuator 24 V DC

432113 DA 175-600 actuator 24 V DC

The DA 175 is used primarily for controlling air intake inlets and can be placed either inside- or outside the livestock house section.

Mounting plate and mounting sets must be ordered separately.

Emergency opening

If emergency opening is desired, the DA 175 24 V should be used. Emergency opening is not available on the DA 175 230 V.



432114 DA 175-100 actuator 230 V

432115 DA 175-150 actuator 230 V

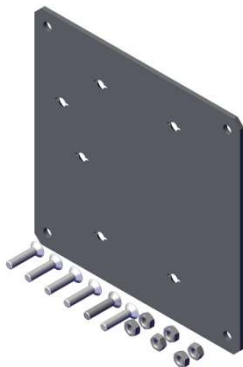
432116 DA 175-300 actuator 230 V

432117 DA 175-600 actuator 230 V

The DA 175 is used primarily for controlling air intake inlets and can be placed either inside- or outside the livestock house section.

Mounting plate and mounting sets must be ordered separately.

2.1 Accessories



432118 175 mounting plate complete

Used as a reinforcement when installing on sandwich walls and other walls without sufficient strength/attachment.

Ordered separately.



432119 175 kit for double line

Is used for double drive with two wires.



432120 175 lightning protection

Lightning protection is used when DA 175 is mounted outside the house in an area where thunderstorms often occur.

3 Technical data

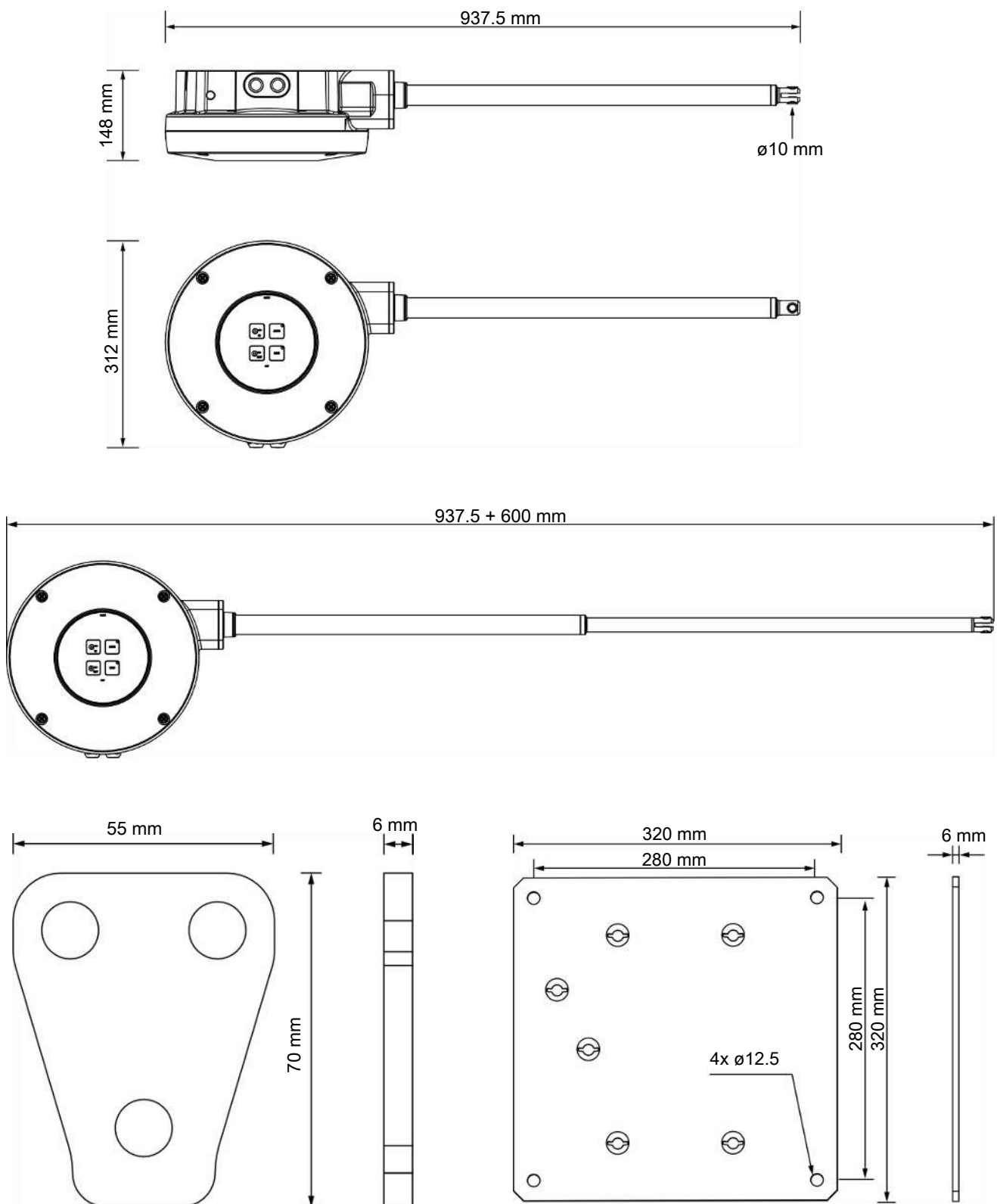
3.1 DA 175 24 V DC

		432110 DA 175-100	432111 DA 175-150	432112 DA 175-300	432113 DA 175-600
Electrical					
Operating voltage	V DC	24 +/-20%			
Current consumption	A	0.5	0.7	1.0	2.0
Feedback signal	V	0-10			
Control signal	V	24			
Control signal analog [V]	V	0-10			
Input impedance	KΩ	100			
Output impedance	KΩ	2.2			
Mechanical					
Running time between limit stop	min.	8.3			
Max. tensile length	cm	60			
Max. tensile force	kg	100	150	300	600
Cable knock-out punch M20	pcs.	6			
Max. cable length at 1.5 mm ²	m	0 - 290	0 - 220	0 - 135	0 - 60
Max. cable length at 2.5 mm ²	m			136 - 225	61 - 100
Max. cable length at 4 mm ²	m				101 - 165
Environment					
Temperature, operation	°C (°F)	÷ 10 to + 45 (÷ 14 to 113)			
Storage temperature	°C (°F)	÷ 25 to + 60 (÷ 13 to 140)			
Protection class	IP	IP 65			
Shipment					
Dimension HxWxD	mm	990x340x150			
Shipping weight	g	6150			

3.2 DA 175 230 V

		432114 DA 175-100	432115 DA 175-150	432116 DA 175-300	432117 DA 175-600
Electrical					
Rated voltage	V AC	230 +10%/-20%			
Operating voltage	V AC	195-253			
Frequency	Hz	50/60			
Max. power consumption At 230 V AC supply	A	0.5			
Feedback signal	V	0-10			
Control signal	V	24			
Control signal analog [V]	V	0-10			
Input impedance	KΩ	100			
Output impedance	KΩ	2.2			
Mechanical					
Running time between limit stop	min.	8.3			
Max. tensile length	cm	60			
Max. tensile force	kg	100	150	300	600
Cable knock-out punch M20	pcs.	6			
Max. cable length at 1.5 mm ²	m				0 - 290
Environment					
Temperature, operation	°C (°F)	÷ 10 to + 45 (÷ 14 to 113)			
Storage temperature	°C (°F)	÷ 25 to + 60 (÷ 13 to 140)			
Protection class	IP	IP 65			
Shipment					
Dimension HxWxD	mm	990x340x150			
Shipping weight	g	6500			

3.3 Dimensioned sketch



SKOV A/S • Hedelund 4 • Glyngøre • DK-7870 Roslev
Tel. +45 72 17 55 55 • www.skov.com • E-mail: skov@skov.dk

