

# Technical Data Sheet

## Moulded Plastic “K” Switchgear Range


CDPD241  
Issue 1

### General Description

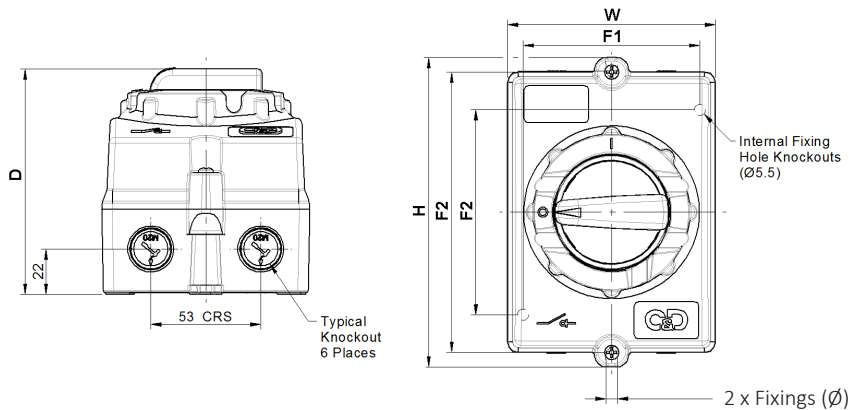
A range of moulded plastic enclosed isolation equipment with sealing up to IP66. All units have a padlockable handle which allows for an insertion of up to three padlocks in the ‘Off’ position thus preventing the isolator being switched to the ‘On’ position. The units have the ability to add a 1N/O + 1 N/C auxiliary contact block. All units are interlocked in the ON position preventing the lid from being removed and when padlocked in the OFF position. Lockable in the ON position option is available on request.

EDKP253CO / EDKP323CO is fitted with 1 N/O + 1 N/C auxiliary early break contact

Compliant to IEC / BS EN 60947-3.

Switch-Disconnectors (O-I)							
Image	Rating	Format	Cat. No.	Encl. Material	IP Rating	Encl. Colour	Cable Entries
	25A	2P	EDKP252	PA / ABS	IP66	Light Grey RAL 7035	2 x M20 knock-outs top, bottom and back
		3P	EDKP253				
		3P+NL	EDKP253N				
		3P+N	EDKP253NL				
		3P+1NO/1NC	EDKP253CO				
	32A	2P	EDKP322	PA / ABS	IP66	Light Grey RAL 7035	2 x M20 knock-outs top, bottom & back
		3P	EDKP323				
		3P+NL	EDKP323N				
		3P+N	EDKP323NL				
		3P+1NO/1NC	EDKP323CO				
Accessories						Cat. No.	
Auxiliary Contact- 1 N/O + 1 N/C (Early Break)						SAUXKCO	

### Dimensions



Overall Dims.			Fixing details			Knockouts		
H	W	D	F1	F2	Ø	Top	Btm	Back
149	100	108.5	85	136.5 / 98.5	5.5	2x M20	2x M20	2x M20



# T e c h n i c a l   D a t a   S h e e t

## **Moulded Plastic “K” Switchgear Range**

CDPD241  
Issue 1

### Technical Specification

Data supplied against tests to IEC/BS EN 60947-3

Application	Sym	Unit	Category	25A	32A
Rated thermal current	$I_{the}$	A		25	32
Rated insulation voltage	$U_i$	V		690	690
Rated impulse voltage	$U_{imp}$	kV		4	4
Rated operational power (Single phase)		kW	230V- AC23	3.7	6.0
Rated operational power (Three phase)		kW	380/440- AC23	11	11
Rated short time withstand current	$I_{cw}$	A	1 Sec	500	500
Recommended connecting capacity		-	Terminal type		
		mm <sup>2</sup>	Flexible cable	6	6
		mm <sup>2</sup>	Rigid cable	10	10
		Nm	Tightening torque	1.2	1.2