

- **Single phase motor with winding protection, standard**
- **Plastic external housing, metal internal housing**
- **High delivery capacity at low number of strokes**
- **Safety diaphragm as a standard feature**
- **Mechanical stroke adjustment**



The ELADOS® EMP IV series is a precise, easy-to-use diaphragm metering pump.

The combination of a robust single-phase (or three-phase) a.c. motor with an accurately aligned gear, allows the achievement of high metering capacities at low stroke rates.

By means of mechanical stroke adjustment the

metering capacities of the pumps can be varied and thus be adapted to the changing metering requirements.

The scope of delivery is rounded off by practical accessories, so forming a complete range of equipment for all metering applications.



Technical Data:

Mechanical Data:

Pump capacity [l/h]:	140	210
Metering back-pressure* [bar]:	10	8
Delivering capacity per stroke [cm ³]:	19.4	29.2
Reproductivity:	<± 3 %	
Suction height:	2 mWs, suction height with clean, slightly wet valves	
Metering frequency max:	122 1/min	
Pressure valve:	without spring	
Suction valve:	without spring	
Ambient temp. max.:	40° C	

Materials:

Housing:	thermoplastic polyester
Pump head:	polypropylene (PP) optional: PVDF or stainless steel 1.4571
Diaphragm:	PTFE - EPDM compound diaphragm
Seals:	FPM 602 (Viton B) optional: EPDM or Kalrez
Valve balls:	ceramics optional: PTFE or stainless steel 1.4401
Weight:	approx. 25 kg
Colour:	blue RAL 5007

Electrical Data:

Connection:	230 V / 50 Hz 115 V / 50/60 Hz 400 V / 50/60 Hz
Note:	At a mains frequency of 60 Hz delivery capacity increases by 20 % and back-pressure decreases by 20 %.
Current consumption:	2.3 A (50 Hz)
Power output:	0.37 kW (50 Hz)
Safety type:	IP 55
Insulation class:	F

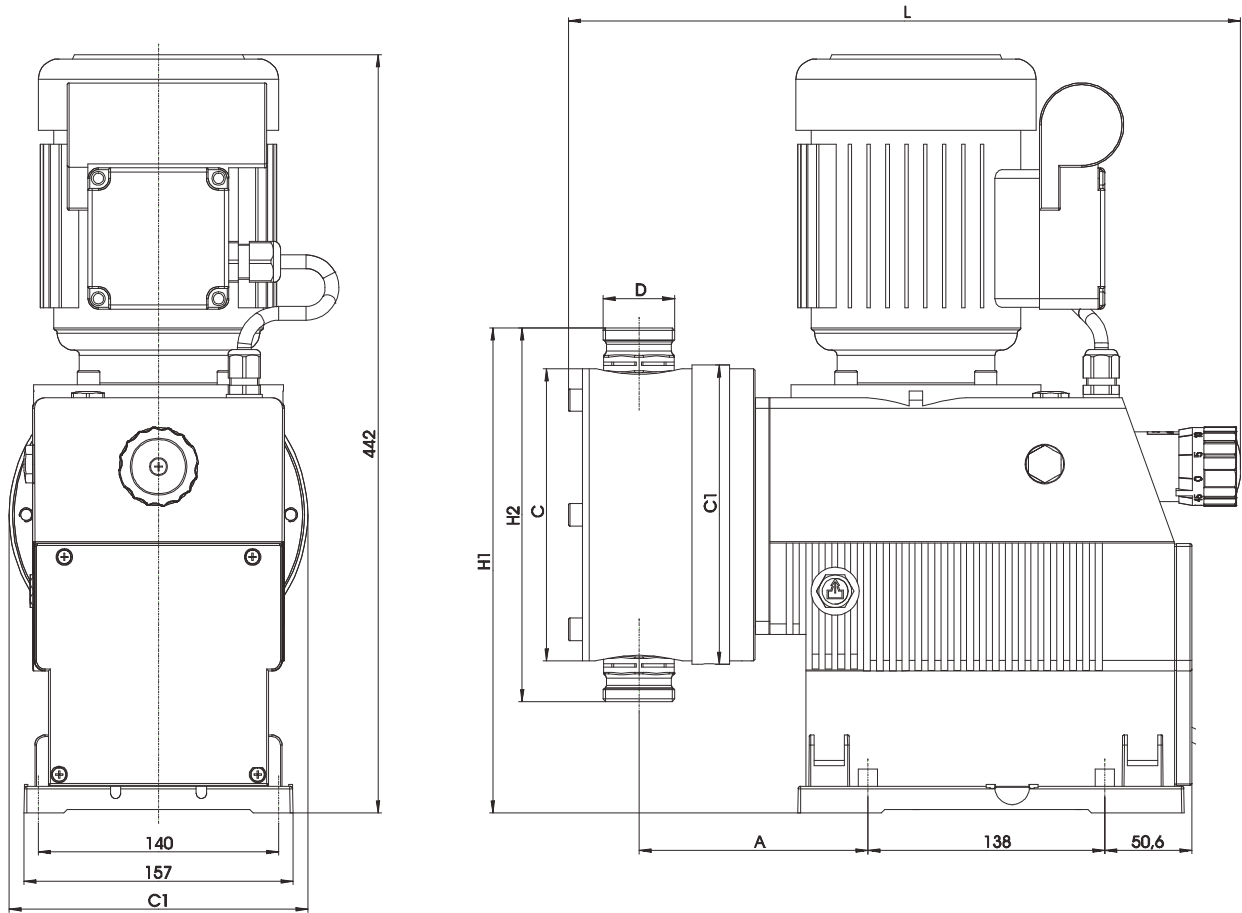
All values at 50 Hz. All data refer to water temperature of 20° C according to the instructions of the technical manual, subject to!

Notice: To guarantee the newest state of our products, we reserve the rights for single technical changes.

*For **EMP VI HP (High Pressure)** version see page 17.
 Other special versions on request.

Dimensions:

Version E 00



Capacity l / h	Dimensions in mm						
	A	C	C1	L	H1	H2	D
140	133.5	170	174	392	280	216	1¼"
210	133.5	170	174	392	280	216	1¼"