



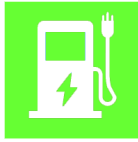
EASY FIT **SMART** EV CHARGERS

A range of secure and reliable, 7.4kW domestic smart electric vehicle charging units and gateway hub. Manufactured in the UK by Craig & Derricott, our Type 2 fast charging units are suitable for electric and plug-in hybrid vehicles.

EASY FIT CHARGERS | VALUE FOR MONEY

 **MADE IN
BRITAIN**

OUR KEY TO EV CHARGING



Convenient EV charging for residential locations



Type 2- 32A single phase fast charging



Wi-fi enabled



Mode 3 charging



Tethered lead option for convenience - just park and plug in



Ingress protection against particles and liquids



Smart App

SMART ION CHARGE RANGE

This range of 32A (7.4 kW) single phase Mode 3 smart EV chargers are an easy to fit solution for residential locations, complete with built in PEN fault, overload, ground fault, surge and 6mA DC leakage protection. Each smart charger comes with a wifi enabled hub, allowing easy connectivity between the charger and the phone app. Each charger is supplied with a RFID fob, allowing vehicle charging authorisation when swiped against the unit.

- Type 2 socket connection
- LED status indication
- Independent wall mounting bracket
- Easy fit mains connections using screwless toggle clamp terminals
- Maximum incoming cable 10mm²
- IP55 ingress protection

Compliant to: EN61851- 1 & 22 | EN62196 | EN62955 | LV directive 2014/35/EU | EMC Directive 2014/30/EU | RoHS Directive 2011/65/EU | UK Statutory Instruments 2016 No. 1101 | UK Statutory Instruments 2016 No. 1091

Socketed Smart EV Charger:- Cat. No. EV03221000



- Type 2 socket connection
- Wifi enabled smart gateway hub
- Integrated RFID reader for immediate charge operation
- 1x M25 plastic cable glands plus blanking plug
- 3 year warranty
- EV Charger is supplied standard with a black cover. Additional colours are available on request: White, Green, Red and Brown

Tethered Smart EV Charger:- Cat. No. EV03221010



- Type 2 holster, car plug and 5 metre cable
- Wifi enabled smart gateway hub
- Integrated RFID reader for immediate charge operation
- 2x M25 plastic cable glands
- 3 year warranty
- EV Charger is supplied standard with a black cover. Additional colours are available on request: White, Green, Red and Brown



STAY SMART WITH C&D



Available on Android and iOS

THE SMART APP

- Live and historic charging data can be accessed easily from the clear user dashboard in the app.
- Insights include power consumption, session durations, costs and CO2 savings. Users can input their tariff kWh prices to get accurate energy costs.
- Default charging sessions are pre-set to avoid peak electricity demand. Drivers can override these default schedules.
- Access controls ensure no unauthorised vehicles will be able to begin a charging session. Chargers can be locked down so that all charging sessions must started through the RFID card or the app.

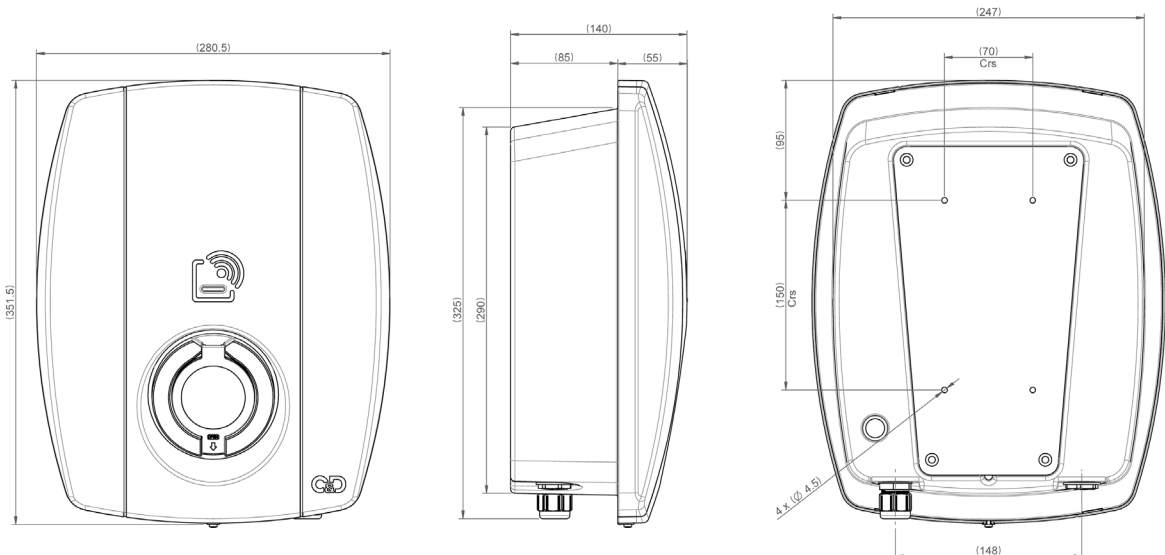
THE SMART HUB

- Doubling as a Wi-Fi range extender, the smart gateway hub communicates all status and settings between the EV charger and the app.
- Supplied with a boost button allowing for instant charge to the car, overriding any scheduling set by the app.
- The functionality to either hard-wire the hub directly into your Wi-Fi router or connect via Wi-Fi, depending on the location of the router and EV charger.
- An extra layer of security, as it doesn't allow any other direct connection to the Wi-Fi network.

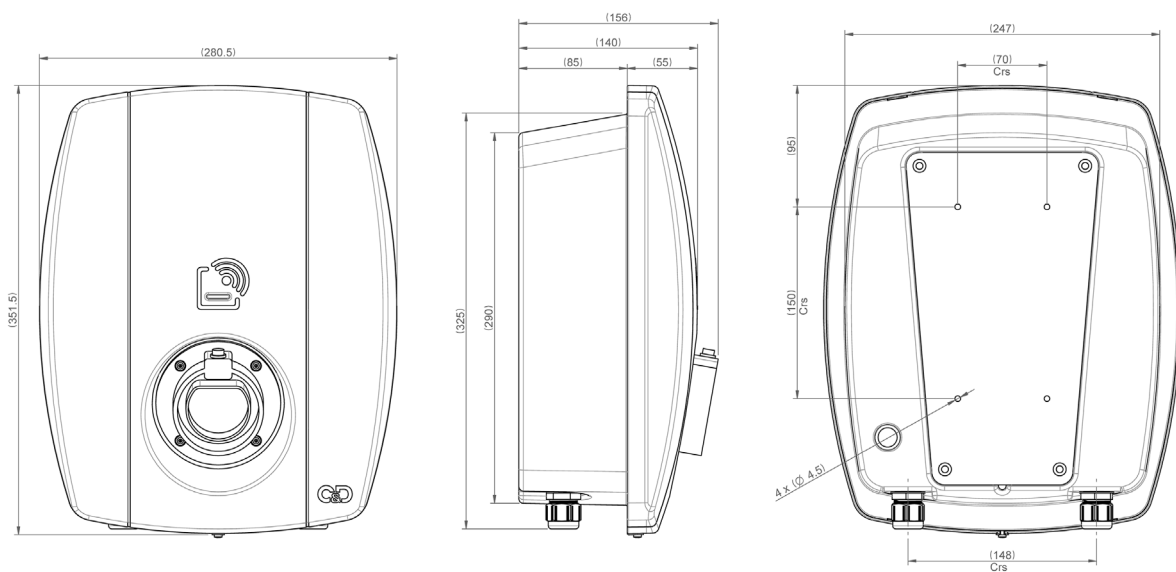


ION SMART CHARGE DIMENSIONS

SOCKETED (UNTETHERED)



TETHERED



CRAIG & DERRICOTT LIMITED

46 Hall Lane | Walsall Wood | Walsall | West Midlands | WS9 9DP

t: 01543 375541 | f: 01543 361619 | sales@craigandderricott.com | www.craigandderricott.com