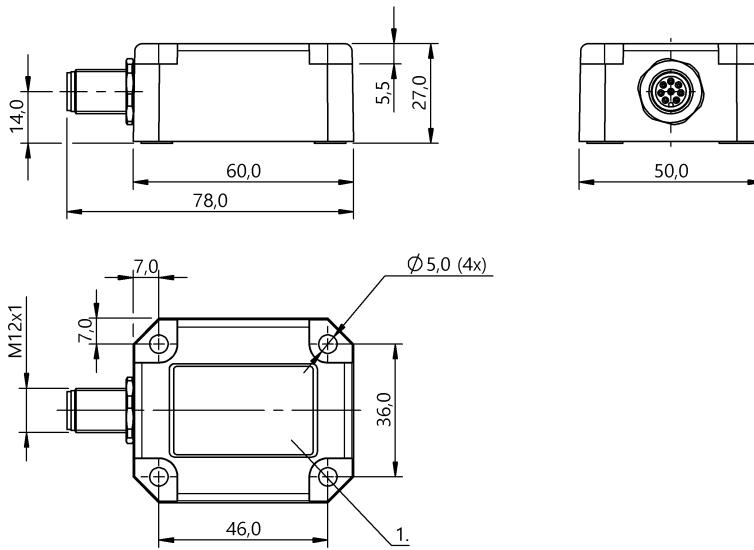


Inclination Sensors
BSI R65K0-XB-MXS045-S115
 Order Code: BSI0019

BALLUFF



Basic features

Approval/Conformity	CE cULus EAC WEEE
Basic standard	EN 61326-1
Measuring principle	MEMS

Electrical connection

Connection	M12x1
Polarity reversal protected	yes
Protection against device mix-ups	no
Short-circuit protection	yes

Electrical data

Current draw max.	25 mA
Load resistance max., analog output	900 Ohm
Operating voltage U_b	10...30 VDC
Protection class	III
Rated operating voltage U_e DC	24 V
Ready delay t_v max.	1 s

Environmental conditions

Ambient temperature	-40...80 °C
Contamination scale	3
EN 60068-2-27, Shock	yes
EN 60068-2-6, Vibration	yes
IP rating	IP67
Relative humidity	95 %, non-condensing
Storage temperature	-40...85 °C

Functional safety

MTTF (40 °C)	121 a
--------------	-------

Interface

Analog output	Analog, current 4...20 mA
---------------	---------------------------

Material

Housing material	Plastic
------------------	---------

Mechanical data

Dimension	50 x 27 x 78 mm
Measuring axes	1
Mounting part	Threads
Rotation direction	Clockwise
Weight	110.00 g

Range/Distance

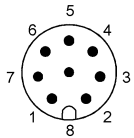
Accuracy	±0.2°
Resolution	≤ 0.01 °
Sampling rate	20 ms
Temperature drift max.	±0.1°/10 K

Remarks

Can be centered over 360° in the vertical position
For more information about MTTF and B10d see MTTF / B10d Certificate

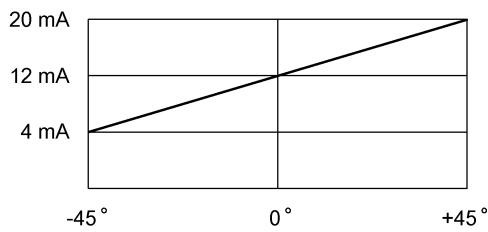
Indication of the MTTF- / B10d value does not represent a binding composition and/or life expectancy assurance; these are simply experiential values with no warranty implications. These declared values also do not extend the expiration period for defect claims or affect it in any way.

Connector Drawings



- PIN 1: n.c.
- PIN 2: Vcc
- PIN 3: Int. use
- PIN 4: Int. use
- PIN 5: GND
- PIN 6: Centering
- PIN 7: 4..20 mA
- PIN 8: Shield

Technical Drawings



Output signal measuring range

Help Views

