

Data Sheet

# MP1 Axial Piston Motors

## Size 20/24



For more than 40 years, Danfoss has been developing state-of-the-art components and systems for mobile machinery used in off-highway operations around the world. We have become a preferred supplier by offering the best of what really matters: The hardware inside your vehicle application.

The MP1 motor is designed for use primarily in mobile equipment using existing and proven technology. These motors have been optimized with regard to options, life, package size and installed cost.

The MP1 motor is a fixed displacement axial piston motor and is intended for closed and open circuit medium power applications. These motors are designed primarily to be combined with other products in closed and open circuit systems to transfer and control hydraulic power.

The MP1 motors consists of two displacements in one package size. Three different configurations are available, an SAE A, B and cartridge style two-bolt configuration.



### Features

#### Wide Range of Options

- Two displacements in a single package
- SAE A, B, and cartridge style two-bolt mounting configuration
- Tapered shaft with shaft seal dust protector for fan drive applications
- Proven reliability and performance
- Worldwide sales and service

#### Machine Integration Benefits

- Industry leading motor length
- Metric and Inch O-ring boss system port interfaces

---

Comprehensive technical literature is online at [www.danfoss.com](http://www.danfoss.com)

---

#### Greater Total Efficiency

- Increased motor efficiency

#### Expanded Functionality

- PLUS+1<sup>®</sup> Compliant speed sensor option
- Integrated loop flushing valve option
- Anti-cavitation and shock valve option available

**Technical Specification**

*Physical properties*

Features	Unit	20	24
Model Configuration		Fixed	
Displacement	cm <sup>3</sup> [in <sup>3</sup> /rev]	20.0 [1.22]	24.0 [1.46]
Mass (Weight) dry	kg [lb]	5.6 [12]	

*Operating parameters*

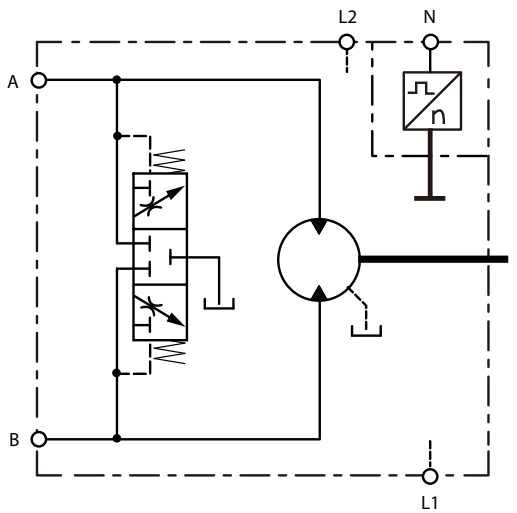
Parameter		Unit	20/24
Speed limit	Close Circuit	Rated	4200
		Maximum	4700
	Open Circuit	Rated	3400
		Maximum	3800
System pressure	Maximum working pressure*	bar [psi]	350 [5000]
	Maximum pressure		380 [5429]
Case pressure	Rated	bar [psi]	2 [29]
	Maximum		6 [87]

\* Applied pressures above maximum working pressure requires Danfoss application approval.

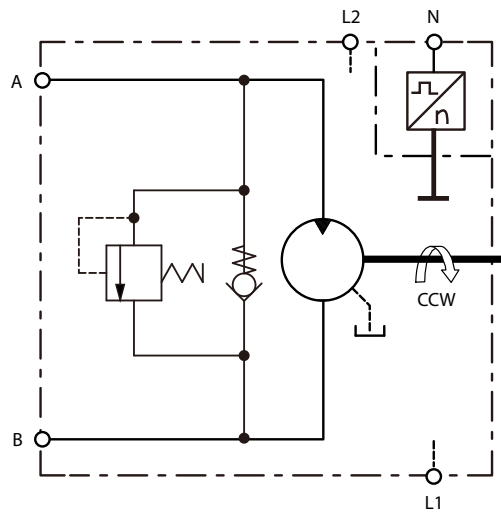
**Schematic**

*Closed Circuit*

*Open Circuit*



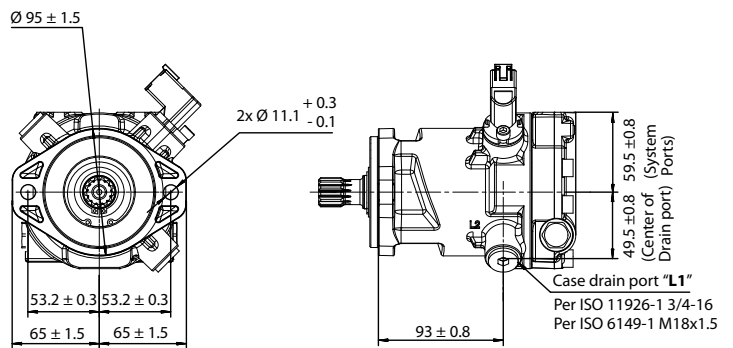
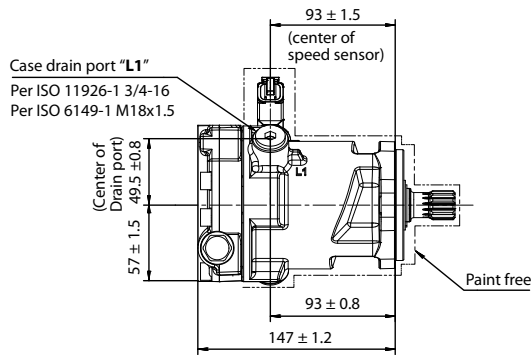
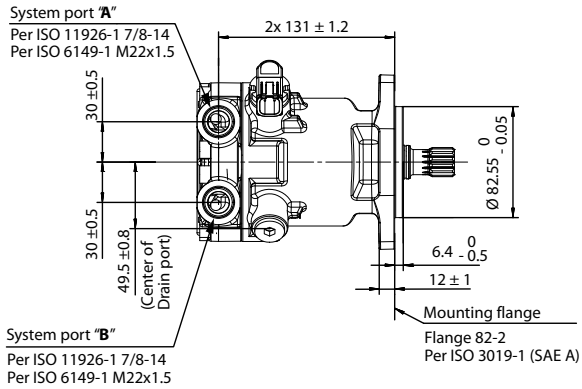
P400620



P400648

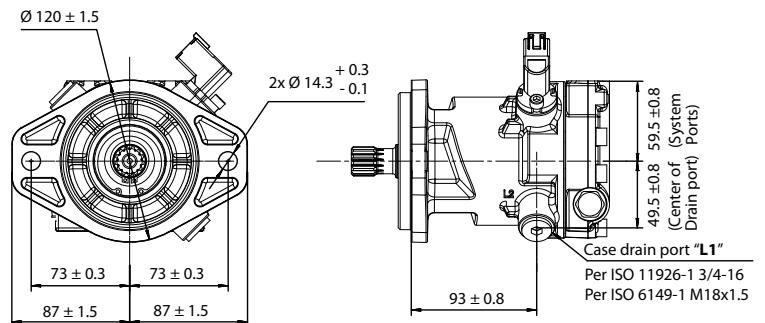
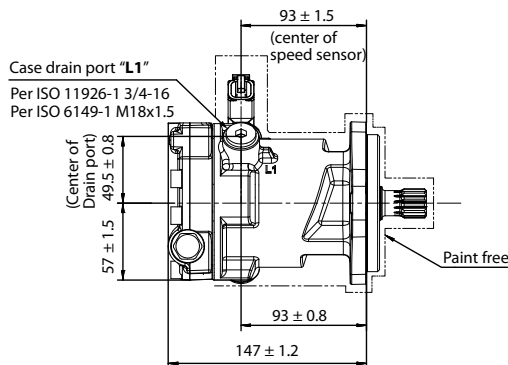
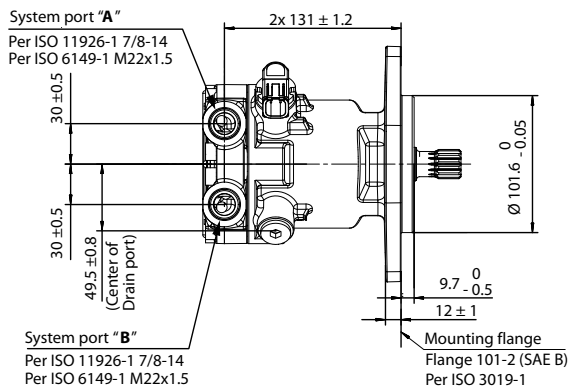
**Dimensions**

**SAE-A**



P400653

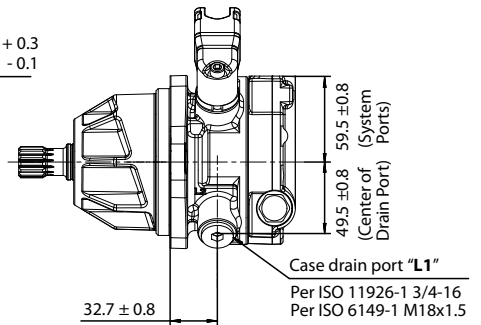
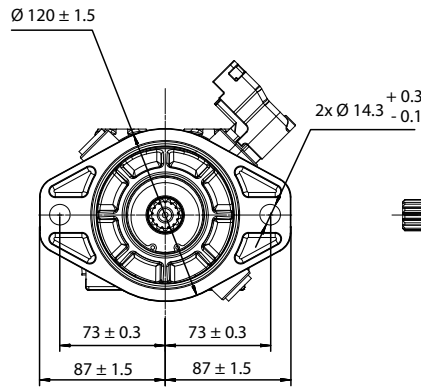
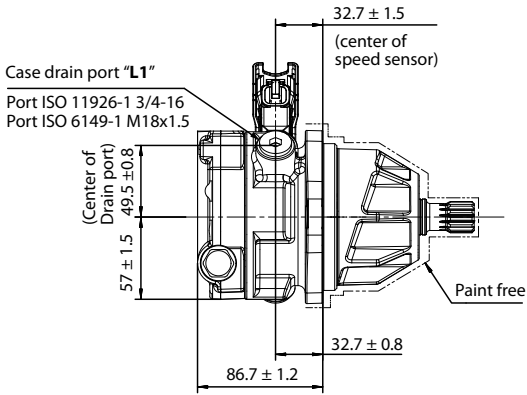
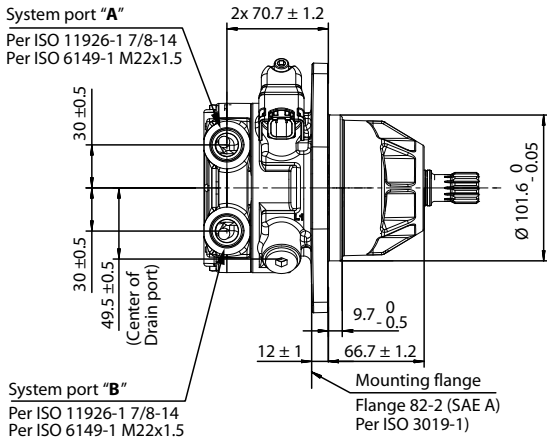
**SAE-B**



P400654

**Dimensions**

*Cartridge Mount*



P400655

Danfoss can accept no responsibility for possible errors in catalogues, brochures and other printed material. Danfoss reserves the right to alter its products without notice. This also applies to products already on order provided that such alterations can be made without subsequent changes being necessary in specifications already agreed. All trademarks in this material are property of the respective companies. Danfoss and the Danfoss logotype are trademarks of Danfoss A/S. All rights reserved.