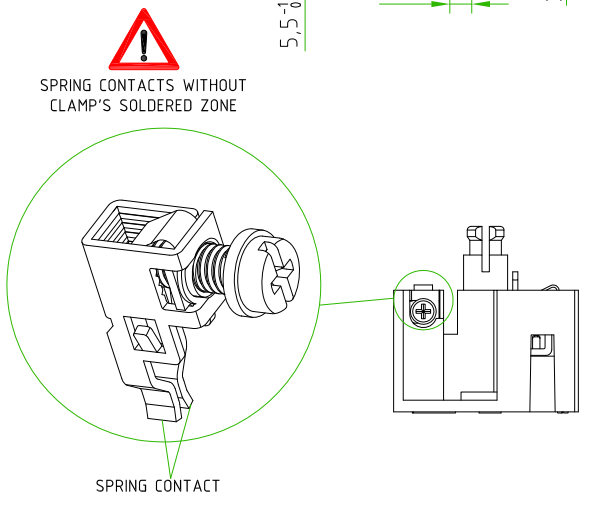
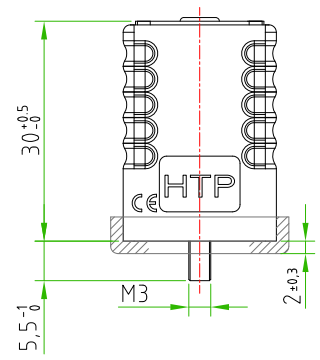
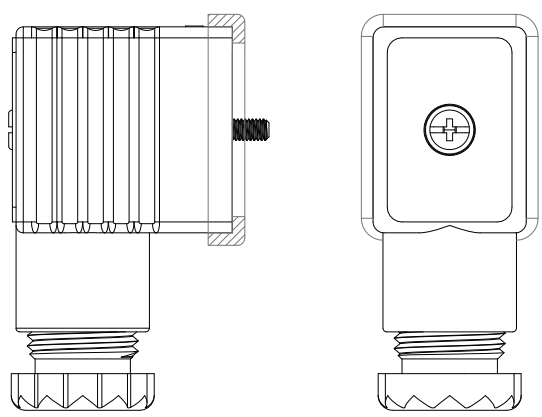
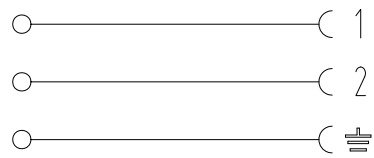
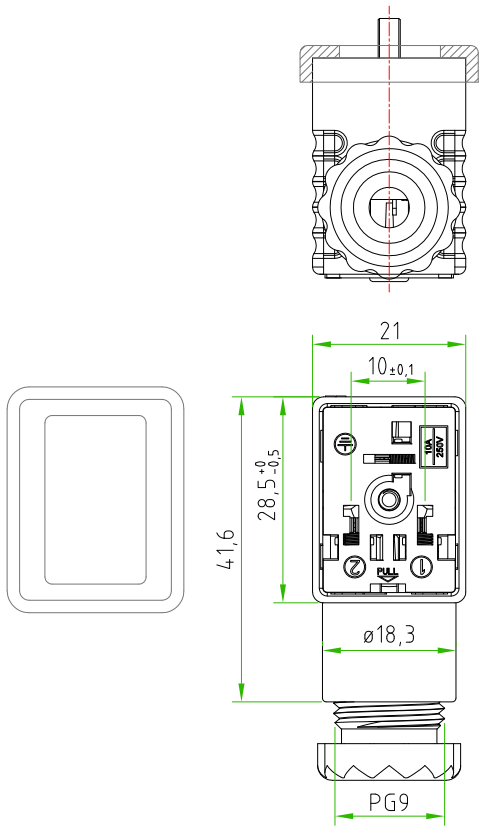


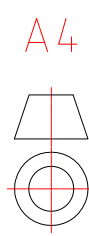
Rev.	Modify	Date	Signed	Approved
Rev.	Modify	Date	Firma	Approved
Rev.	Modify	Date	Firma	Approved
Rev.	Modify	Date	Firma	Approved



CONNECTOR FEATURES	PRODUCT TYPE	EN175301-803 FORM B FIELD ATTACHABLE.
	HOUSING MATERIAL/COLOUR	PA66 /BLACK
	PRESS-CABLE MATERIAL/COLOUR	PA66 /BLACK
	INTERNAL CORE MATERIAL/COLOUR	PA66 /BLACK
	HEIGHT HOUSING	30mm
	CONTACTS SPACING	10mm
	CONTACTS TYPE	SCREW CONTACTS(with protection plate)
	NUMBER OF POLES	2POLES+EARTH
	EARTH POSITIONING	H.12 (TURNABLE)
	CABLE EXIT	PG9 UNIFIED
	SUITABLE CABLE	FROM ø4mm TO ø8mm
	MAX.CONDUCTOR SIZE	1,5mm ²
	PROTECTION CLASS	IP67
	CIRCUIT TYPE	WITHOUT ELECTRONIC
	RATED VOLTAGE	250V AC/300V DC
	CONNECTOR TEMPERATURE RANGE	from -40°C to +90°C
GASKET TYPE	PROFILED NBR	
FIXING SCREW	M3X0,5 L=32,5mm	
CONNECTOR WITH H.T.P. LOGO		

<i>CUSTOMER APPROVAL</i>	
<i>SIGNATURE</i>	<i>DATE</i>
<i>PLEASE SIGN AND RETURN</i>	

Designer	SUGLIANI R.	Date	2018-03-07	Tolerance	±0,2	Units:	mm	Series	EN175301-803 (form B)	Drawing n.	1/1
Approved	CIMMINO L.	Date	2018-03-07	Scale	1:1	Size:	A4	Customer code:			



	DESCRIPTION	H.T.P.PART NUMBER
	SQUARE CONNECTOR EN175301-803 FORM B, FIELD ATTACHABLE, 2P.+PE, WITHOUT ELECTRONIC, 250V AC/300V DC, BLACK HOUSING, PG9. CONNECTOR WITH H.T.P. LOGO.	M2NS2000