

TROMTRAK 1600

Axle unwinder for drums

**Perfect complement
to processing machines**

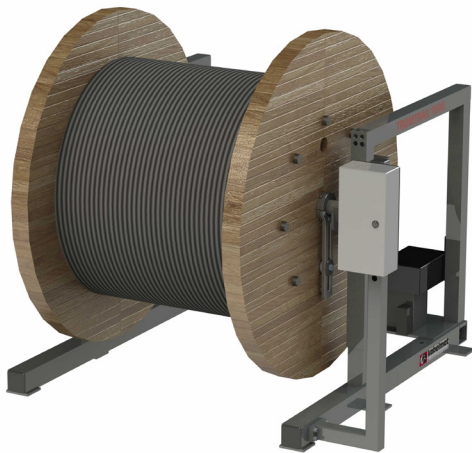


Fig.1 TROMTRAK 1600 elektrohydraulic drum unwinder

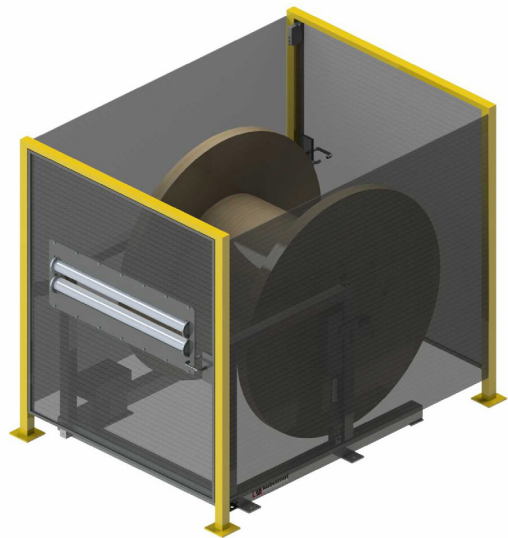


Fig.2 TROMTRAK 1600 incl. safety fence with wing doors as access to the drum loading with safety shutdown and outlet roller cage for guiding the winding material

TROMTRAK 1600

- **Electrohydraulic unwinder for drums max. 3000 kg**

Functionality:

TROMTRAK Trommelabwickler können sowohl als Einzelabwickler als auch in kompletten Verarbeitungslinien eingesetzt werden. Sollte der Abwickler TROMTRAK 1600 in Verbindung mit einem motorisch angetriebenen Aufwickler betrieben werden, wird ein Sicherheitsschutzzaun (Fig.2 oder Fig.3) unbedingt benötigt.

Basic equipment:

- Stationary frame
- Elektrohydraulic pump with manual release
- Two axles for the take-up of cable drum
- Two cones for centering the cable drums on the axle
- Electrical supply via CEE plug

Accessory for mechanical unwinding:

- **Safety fence for TROMTRAK 1600 with wing doors** as access to the drum loading with safety shutdown. Outlet roller cage for guiding the winding material.
- **Safety fence for TROMTRAK 1600 with wing and sliding doors** as access to the drum loading and the cable loading between the unwinder (Pay-off) and rewinder (Take-up) with safety shutdown.

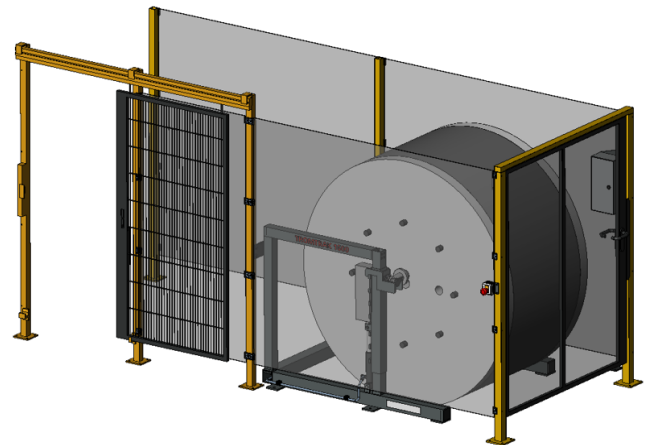


Fig.3 TROMTRAK 1600 incl. safety fence with wing and sliding doors as access to the drum loading and cable loading between unwinder and rewinder.

| Technical data | TROMTRAK 1600 |
|--------------------------------|-------------------------------|
| Part No. | 1189.000 |
| Drum Ø | 500 - 1600 mm |
| Drum width | max. 1120 mm |
| Drum weight | max. 3000 kg |
| L x W x H | approx. 1600 x 1785 x 1200 mm |
| Weight | approx. 400 kg |
| Drum axle No. 1 | Ø 34 x 1340 mm |
| Drum axle No. 2 | Ø 60 x 1340 mm |
| Electrical supply via CEE plug | 230 / 400 V - 50 Hz |

Indoor use only. Fig. may differ from original.
Technical modifications reserved. Status 01/2020