

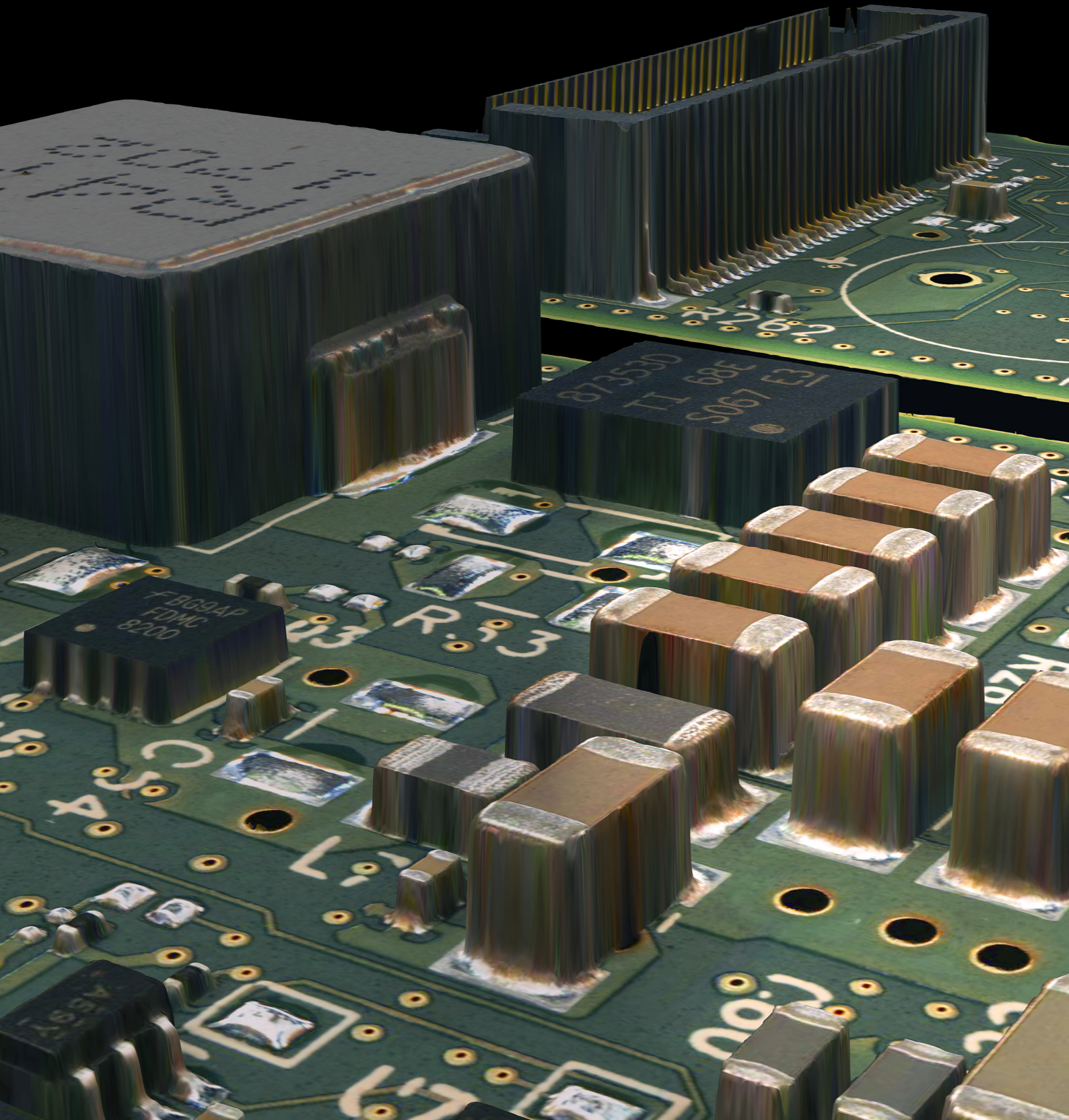
High-mix AOI inspection made simple

Mycronic inspection solutions MYPro I™ series 3D AOI





Actual image
from I series.



MYPro I series 3D AOI

Put your inspection on autopilot

At Mycronic, we're on a mission to enable tomorrow's zero-defect SMT line. The new MYPro I series 3D AOI brings your factory one step closer to this vision by continually improving product quality and first-pass yield with minimal operator intervention.

THE EVOLUTION CONTINUES

From automotive to aerospace electronics assembly, the K Series 3D AOI has long been recognized for its high accuracy and repeatability. Thanks to its advanced algorithmic technology, it excels at processing all types of PCBs, making it one of the preferred 3D AOI systems among tier-one mid-volume EMSs in high reliability industries worldwide.

POWERFUL AOI FOR ANY ENVIRONMENT

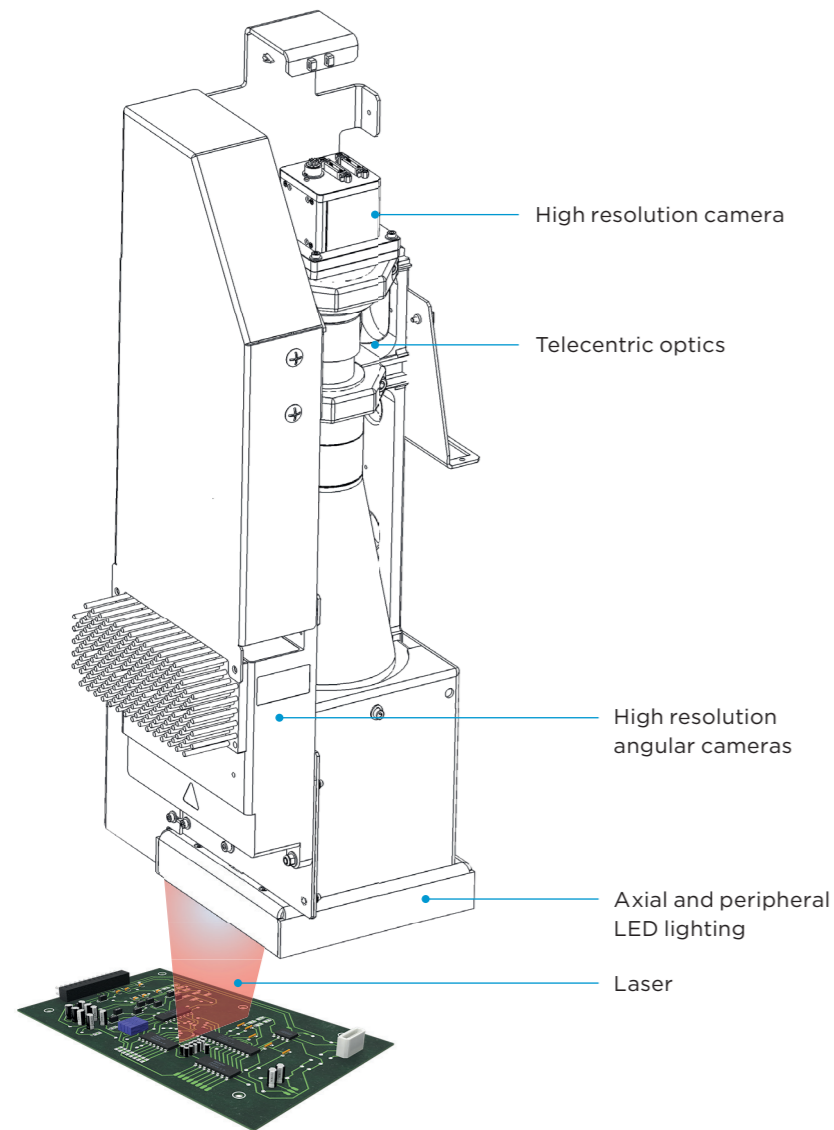
The new MYPro I Series 3D AOI brings these powerful capabilities to an even wider range of manufacturers, pushing the boundaries of ergonomics and automation to the forefront of the industry. Designed for enhanced user experience, it offers intuitive programming guidance and self-optimizing process controls, ensuring easy implementation of high-performance AOI for any operator in any production mix or class.

By combining industry-leading performance with a highly intuitive, user-centric architecture, the MYPro I series is a game changer.

MYPro I series 3D AOI

World-class inspection starts with outstanding image acquisition

The I series 3D AOI is a true metrology device that allows you to inspect all types of assemblies with the same accuracy and no compromises.



POWERFUL 3D AOI

Drill down into powerful image library tools with advanced algorithmic assistance.

PRECISE OPTICAL METROLOGY

High-precision metrology combining high-definition 2D texture with shadow-free 3D inspection that eliminates image cropping and warpage effects.

COMPLETE TEST COVERAGE

Comprehensive defect coverage accurately measures component body and solder joints to identify misplaced components, tombstones, lifted leads and more.

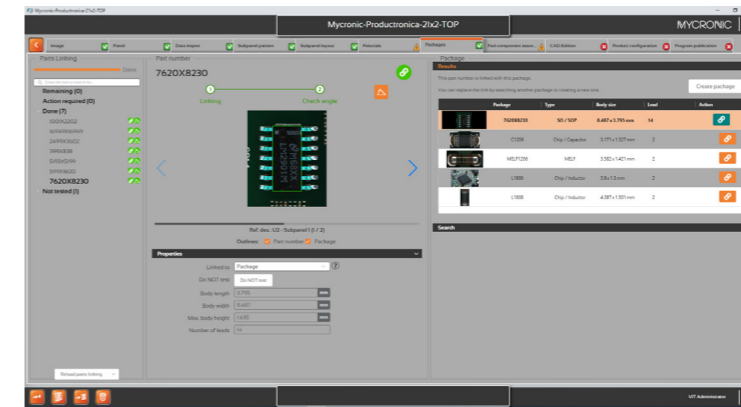
ALL-COMPONENT INSPECTION

Comprehensive toolbox of ready-to-use 2D and 3D tests to inspect any SMT components, but also through-hole or press-fit components, connectors of any type and shape, as well as novel components. The geometry and relative positions of components, pins, or connectors can also be inspected to further expand your test coverage.

Powered by AI

to bring performance and usability to new heights

As production conditions change and grow more complex, 3D AOI inspection is increasingly critical to eliminating defects, waste and rework. Thanks to a new software utilizing AI image classification and pattern recognition, the MYPro I series makes implementation easier than ever. Whatever size your production batches, and however experienced your operators may be, these advanced automation features continually maintain the highest levels of inspection performance.



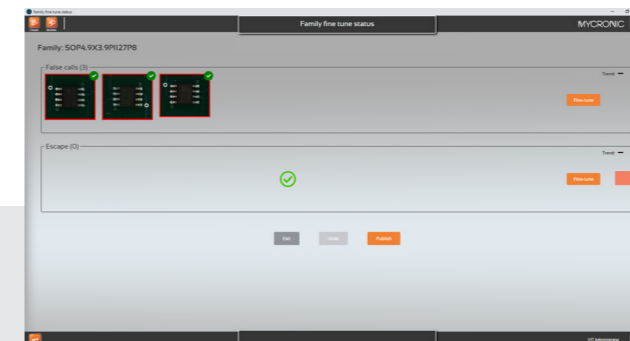
For existing components, Auto Match-Maker automatically finds corresponding inspection model from the central library.

MYWIZARD: UP TO 30% FASTER PROGRAMMING

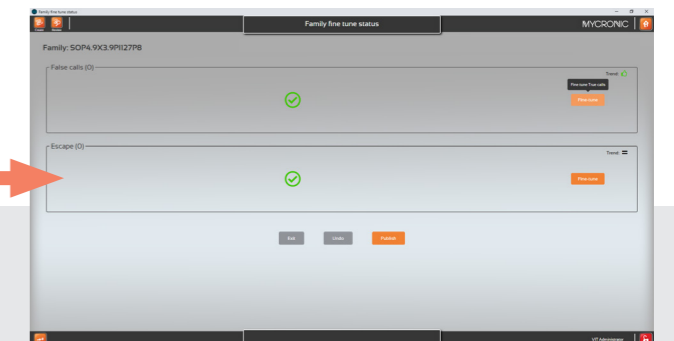
The new MYWizard user interface integrates two artificial intelligence systems—Auto Match-Maker, an advanced component recognition technology, and a new machine learning algorithm that locates fiducials and component's polarity—in order to guide operators through the programming faster. It results in up to 30% reduction in programming time compared with previous generations, with reduced operator experience and training.

ESCAPE TRACKER FOR AUTOMATED PERFORMANCE OPTIMIZATION

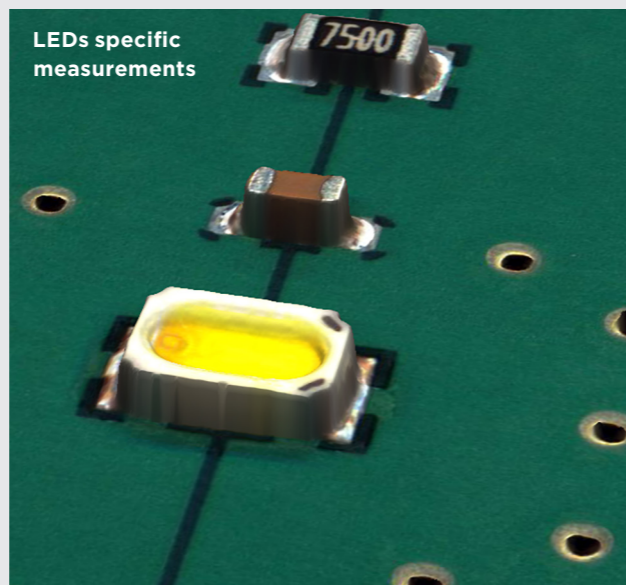
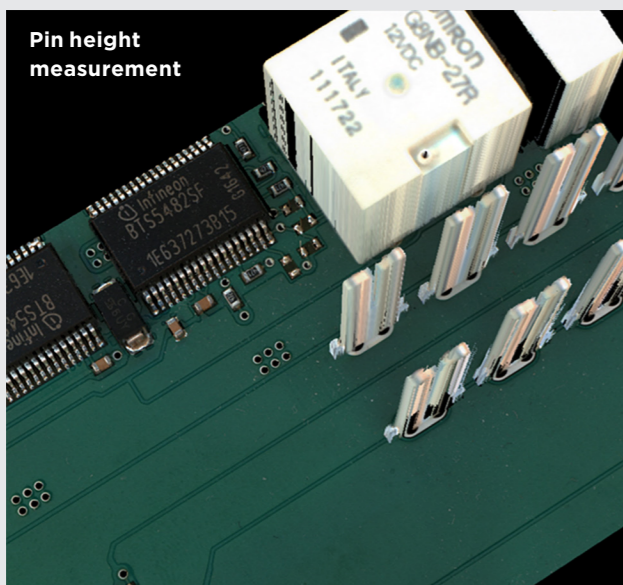
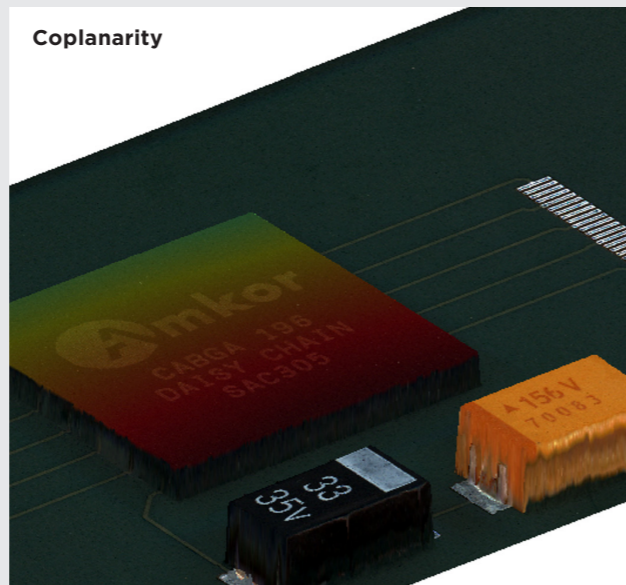
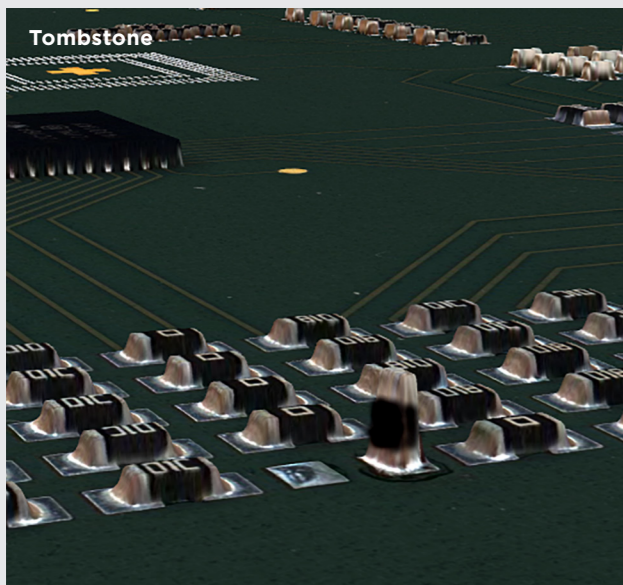
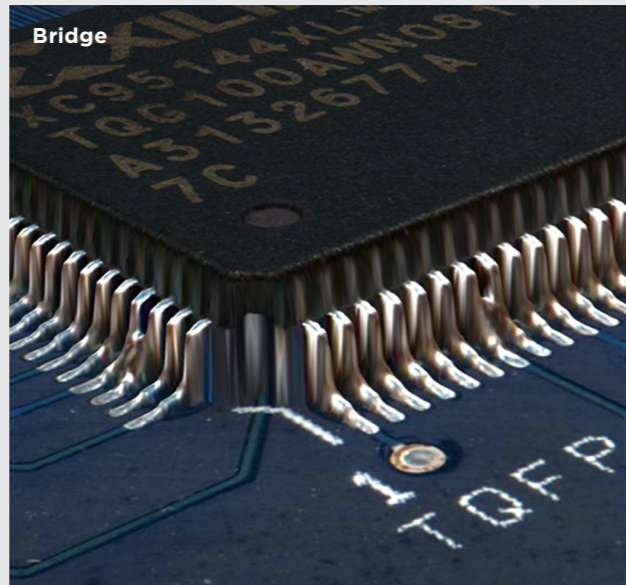
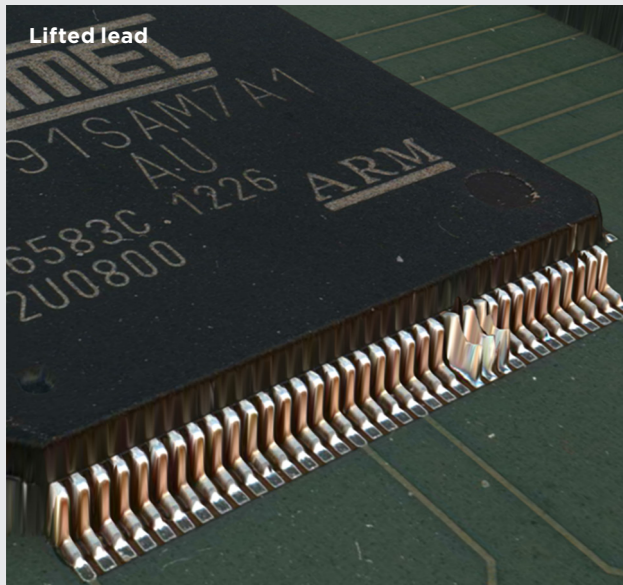
MYPro I series features a next-generation self-checking inspection performance system. With Escape Tracker, the operator is immediately informed of any errors or programming weaknesses that could potentially generate false calls or escapes. Central library items that need to be corrected are clearly displayed allowing for easier, faster and safer fine-tuning.



During programming process, Escape Tracker alerts on three potential false calls.



After fine-tuning, Escape Tracker confirms false calls are eradicated, and no escapes are introduced.



Superior accuracy for any product geometry

The MYPro I series paves the way to Automatic Optical Metrology (AOM). It offers best-in-class accuracy and repeatability in X, Y, Z and Theta for efficient process control. The unique combination of sub-pixel geometric pattern matching technology, proprietary 3D algorithms and unique warpage and distortion compensation leads to superior critical measurement capabilities.

Vectoral imaging pattern matching.
±5mm warpage compensation with full Z accuracy.
Sub-pixel technology with 4.75µm X, Y resolution.

Ensure comprehensive defect coverage

To enable reliable data capture and high-resolution 3D visualization, the MYPro I series expands defect coverage using a combination of 2D texture and shadow-free 3D inspection. This is made possible by a range of state-of-the-art camera, 3D sensor and motion system technologies.

High-resolution camera with fully telecentric lens captures high-quality RGB images for inspection and review.

High-performance 3D sensor combines vertical lasers to avoid projection shadows, optimized angles to minimize intrinsic shadow effects and adaptive height filtering that adapts the sensor's sensitivity to component geometry.

High-precision motion system utilizing three linear motors for accurate high-speed motion and 0.5µm resolution optical encoders for accurate positioning.

Actual images from MYPro I series 3D AOI

Results at a glance with **MYPro Review**

MYPro Review gives operators an easy way to make pass/fail diagnoses at a glance. By automatically correlating SPI and AOI results into a single on-screen overview, it not only provides a highly accurate and simplified defect classification system, but also helps fine-tuning SPI tolerances for optimal first-pass yield.



- Review high-quality 3D defect images to localize defects at a glance
- Easy classification using reference images
- Use IPC or user-defined defect categories
- Speed up reaction times with pre-defined corrective action messages
- Optimize review environment with customized screen layouts



High viewing comfort, for greater efficiency of review operations.

Industry-leading performance and **production stability**

Today's lean and agile manufacturing calls for superior first pass yield efficiency and 100% performance portability from one line to another. MYPro I series satisfies the most demanding customers in the electronics assembly industry where quality and productivity are both mission- and business-critical. The system has been designed to optimize test coverage at line speed for the smart factory while offering 100% offline capabilities.

Superior uptime above 99.5%.

Unified software suite for pre-reflow, post-reflow and post-wave AOI applications.

100% offline programming and tuning capabilities.

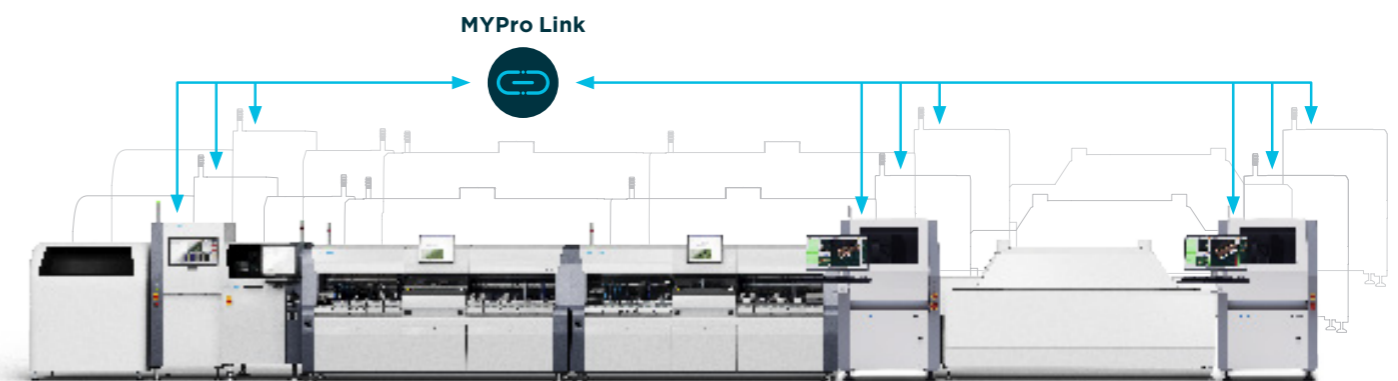
Rapid inspection time up to 100 cm²/s.

Fully integrated **process control**

MYPro Link, Mycronic's award-winning web-based process control software suite, puts the benefits of inspection data correlation into real-time production. All so you can monitor your line performance over time or at a glance, and get to the root cause of every defect in just a few clicks.

Unified source of SPI and AOI data with MYPro Link, allowing you to view your process in real time, quickly drill down to the defect image and take immediate corrective action.

Full machine-to-machine portability for all programs.



A complete range of I series 3D AOI to fulfill all your needs

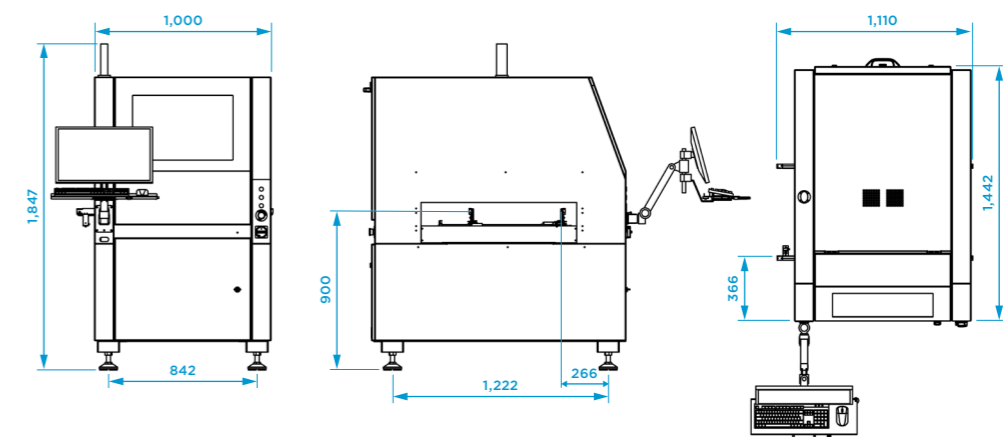
The MYPro I series 3D AOI system is available in several versions to cover all SMT inspection needs: single lane, dual lane, and heavy duty. Field upgrades are also available.

MYPro I50/I80/I90	
INSPECTION TECHNOLOGY	
3D sensor	Shadow-proof 3D sensor, based on laser and angular cameras
Optics	High-precision telecentric lens
Field of View (XxY)	61.1x44.9mm (2.40x1.76")
Lighting types	Axial and peripheral LED with holographic diffuser
Lighting colors	White, red, blue
Warp compensation	±5mm warpage compensation with full Z accuracy
INSPECTION PERFORMANCE	
SMT inspection capabilities	Component body, Missing component, Misplacement (X, Y, Z, θ), Tombstone, Polarity, Coplanarity, Upside-down component, OCR/OCV, Solder joint, Missing joint, Solder excess, Bridging, Lifted lead, Head-in-pillow
Specific inspection capabilities	CMM metrology, top and bottom THT, press-fit
Foreign material detection	One-click activation, in standard version
Height inspection range	From -5mm to +20mm
X, Y resolution	4.75µm with subpixel technology - 19µm native
Z resolution	1µm constant resolution over 25mm Z range
Gage R&R	X, Y GRR < 4% on 01005
SOFTWARE SUITE	
Inspection library	Based on JEDEC packages; >300 packages included
Auto programming assistance	MYWizard: AI-powered programming interface with advanced user-friendliness
Central library quality control	Escape Tracker
SYSTEM	
Operating system	Windows 10, 64-bit
PCB positioning	Board and panel fiducials
Axis motion	Linear motors with optical encoders—1µm repeatability
OPTIONS	
External barcode readers (1D/2D)	Cognex DM 150 or Keyence SR1000W - also compatible with major barcode reader brands
Internal barcode readers (1D/2D)	Software option enabling reading from scanning head
Uninterruptible power supply	For PC 230V
115V power supply	Single phase 115V/60Hz/16A
Offline programming	MYPro Create and MYPro Optimize
Review software	MYPro Review, offline or inline
Web-based SPC	MYPro Analyze
IPC-CFX protocol	Version 1.3: program changeover, interlocking, inspection traceability
Other options available	Please contact us

MYPro I50/I80/I90			
FACILITIES			
Interface	IPC-SMEMA-9851, HERMES		
Power requirements	Single phase 230V/50Hz/10A		
Dimensions in mm (WxDxH)	1,110x1,351x(1,975-2,075)		
Weight	900kg		
Operating temperature	15°C-30°C		
Relative humidity	20-75% (without condensing)		
Network	TCP/IP, RJ45 plug		
Laser	Class-1 laser product according to the IEC 60825-1 standard		
	MYPro I50	MYPro I80	MYPro I90
PCB HANDLING			
Minimum PCB dimensions	51x51mm / 2x2"		
Maximum PCB dimensions (XxY)	533x609mm 21x24"	Scan X mode <i>Single lane:</i> 533x600mm 21x23.6" <i>Dual lane:</i> 2 x (533x280mm) 2 x (21x11") Scan Y mode <i>Single lane:</i> 391x600mm 19.4x23.6" <i>Dual lane:</i> 2 x (391x325mm) 2 x (19.4x12.8")	<i>Standard:</i> 533x609mm 21x24" <i>Optional:</i> 939x609mm 37x24"
PCB thickness	0.5-4mm	0.5-4mm	0.5-15mm
Maximum PCB weight	3kg	3kg	15kg
Minimum edge clearance	3mm	3mm	4mm
Top clearance	34mm		
Bottom clearance	60mm		
Conveyor width adjustment	Automatic		
Conveying height	860-960mm		

DIMENSIONS MYPRO I SERIES

[mm]



Bringing tomorrow's electronics to life

MYCRONIC

MYCRONIC.COM

SWEDEN

Mycronic AB
PO Box 3141
Nytorpsvägen 9
SE-183 03 Täby
Sweden

Tel: +46 8 638 52 00

NETHERLANDS

Mycronic B.V.
High Tech Campus 10
5656 AE
Eindhoven
Netherlands

Tel: +31 402 62 06 67

FRANCE

Mycronic S.A.S.
1 rue de Traversière
CS 80045
94513 Rungis Cedex 1
France

Tel: +33 1 41 80 15 80

SOUTH KOREA

Mycronic Co. Ltd.
3rd Floor, Jung-San Bldg.
163 LS-ro Gunpo-Si
Gyeonggi-Do, 15808
South Korea

Tel: +82 31 387 5111

SINGAPORE

Mycronic Pte., Ltd.
9 Tagore Lane,
#02-08/09
9@Tagore
Singapore 787472

Tel: +65 6281 7997

GERMANY

Mycronic GmbH
Biberger Straße 93
D-82008 Unterhaching
bei München
Germany

Tel: +49 89 4524248-0

UK

Mycronic Ltd.
Unit 2, Concept Park
Innovation Close
Poole, Dorset, BH12 4QT
UK

Tel: +44 1202 723 585

CHINA

Mycronic Co., Ltd.
Unit 106, E Block
Lane 168, Da Duhe Road.
Putuo District, 200062
Shanghai P.R. China

Tel: +86 21 3252 3785/86

JAPAN

Mycronic Technologies KK
KDX Chofu Bldg.7th floor
1-18-1 Chofugaoka,
Chofu-shi
Tokyo 182-0021
Japan

Tel: +81 42 433 9400

USA

Mycronic Inc.
554 Clark Road
Tewksbury
MA 01C876-1731
USA

Tel: +1 978 495 9799