

AN210 Universal OP Amplifier

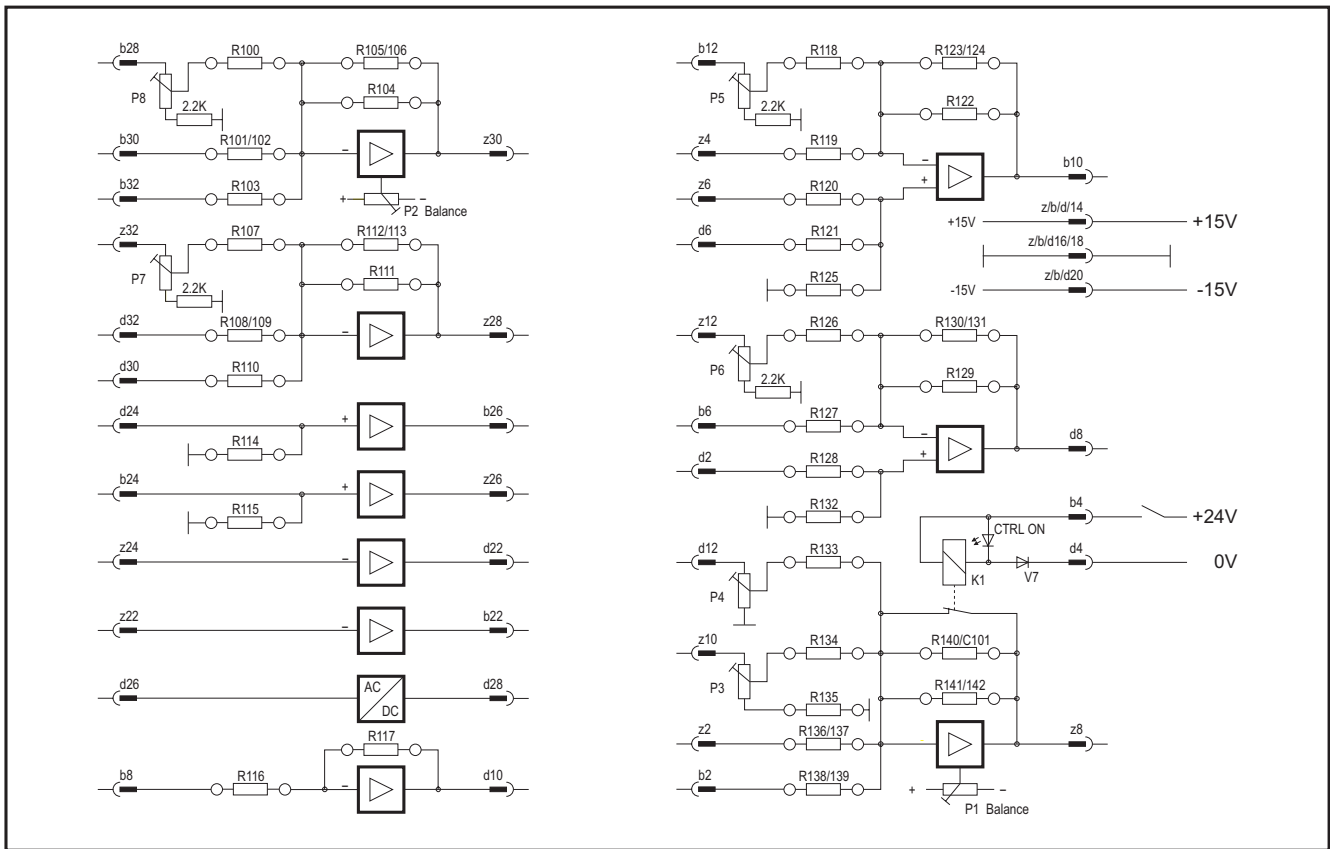


The AN 210 module has been designed as a logical element for systems. The many different OP circuits, solder tags for components and the possibility of external interconnection for the individual OP amplifiers make this module suitable for a wide range of applications.

Features:

- 11 OP circuits
- solder tag component connections
- OP amplifiers can be interconnected externally
- 8 multi-turn resistors on the front plate for exact adjustment of the OP amplifiers being used
- relay for amplifier lockout
- switching status is shown by LEDs on the front plate

AN210 Universal OP Amplifier



Technical data:

Dimensions (overall dim.)	Eurocard format (160x100)mm (20x128.7x186.5)mm (WxHxD) Front plate 3HUx4SU	Differential amplifiers	2
Connection	48 pin connector DIN 41612 F48	Summators	2
Supply voltages	±15V DC 24V DC, 30mA for relay	PI controller	1
		Millivolt rectifier	1
		Inversion gate	3
		Insulated voltage follower as impedance transformer	2