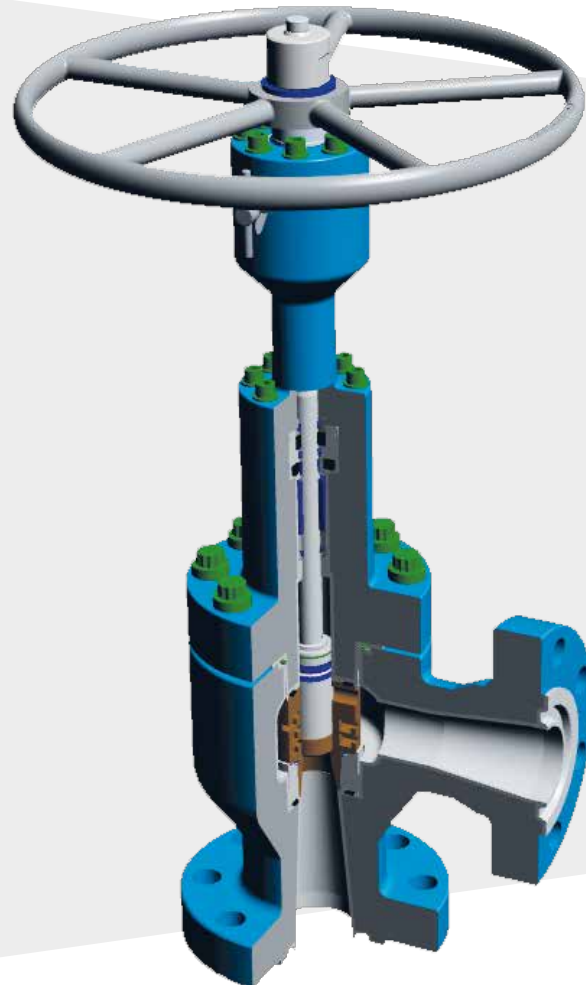


# 100DPC



*Engineering  
GREAT Solutions*

- > **Multi-trim DRAG® production choke valve**
- > **Optimised for on-shore and off-shore applications**

# 100DPC

Located at the wellhead, where the well-fluid is first extracted from the field, the production choke valve is arguably the most severe service application in the oil and gas industry. It is essential for providing controlled pressure for downstream processes and needs to handle some of the most difficult fluids and conditions in the entire oil and gas process chain.

With the 100DPC production choke valve, IMI CCI have standardised a product range to maximise valve service life and minimise total valve life cycle costs by addressing the specific severe service concerns which apply to this arduous application, including the following:

- > Multi-phase fluid which can make accurate sizing difficult
- > High pressure drop which leads to high kinetic energy levels, which causes erosion, vibration and noise
- > Potential for high solid content which leads to further erosion issues and potentially clogging
- > High concentrations of acids (H<sub>2</sub>S, CO<sub>2</sub>), chlorides and chemicals which can cause corrosion issues
- > Long field life with large variation of inlet pressures which subsequently require a wide range of CV's to maintain flow rates

## Key features

The 100DPC production choke valve, addresses the application-specific concerns above by incorporating the following aspects into the product design:

- > Erosion, vibration and noise are symptoms of high kinetic energy levels. Guarantees optimum wear resistance in erosive conditions due to energy & velocity control with multi-stage & multi path DRAG® trim technology
- > Key trim components are produced from solid tungsten carbide for additional erosion resistance
- > To address corrosion, all wetted surfaces on pressure boundary parts are weld overlaid with Inconel 625. In addition, all internal wetted metallic parts are made out of Inconel 718 as standard. No elastomeric seals used apart from the stem packing
- > Large, expanding flow passages are used to allow the valve to handle solids and dirty fluids while minimising the potential for clogging
- > Characterised trim possible to maximise CV range. Also, trims are available in single and multi-stage configuration. Interchangeability of parts guaranteed
- > The design of internals and packing arrangements are optimised for easy maintenance and no components are screwed or welded to the pressure boundary parts

*Handwheel version with stem lock*



*Actuated version with guaranteed self-locking function*



## Performance data

### Materials

Body / bonnet AISI 4130 60K/ASTM A182 F22 60K with 3.0 mm Inconel 625 weld overlay

Trim 718 nickel alloy with solid tungsten carbide

### Material Classes

API material class HH as standard. Other classes available on request

### Pressure Drop

Up to 600 bar pressure drop

### Pressure rating and sizes

ANSI 1500 - 2500: 1-1/2", 2", 3", 4", 5", 6", 8", 10"

API 5000 - 10000: 1-13/16", 2-1/16", 2-9/16", 3-1/8", 3-1/16", 4-1/16", 5-1/8", 7-1/16", 9"

### Temperature rating

Design temperature: -46°C to 150°C

### Quality level

Standard: ASME B16.34; API PSL2; API PSL3 & API PSL3(G); NACE MR0175

Optional PSL4 on request

### Shut-off class

Standard: ANSI/FCI Class IV & Class V

### Actuator types

Standard: Manual handwheel & electric motor operated

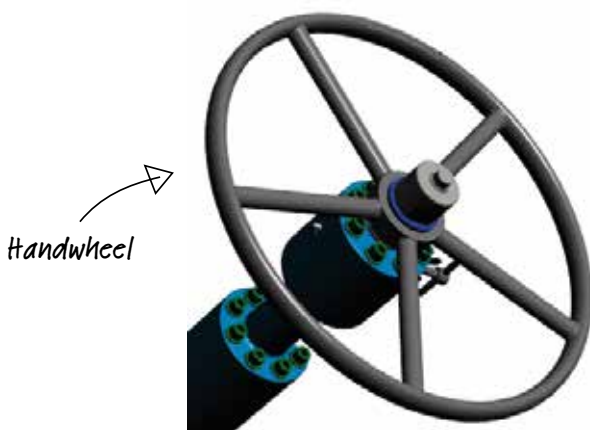
Optional: Pneumatic; hydraulic

Special configurations on request

## Actuated or manual operation

### > Manual Handwheel

- External grease port lubricates threads and bearings.
- Stem lock maintains set position.
- Anti-rotation keys convert rotation from the drive bushing into linear movement.
- Mechanical stroke indication as standard with excellent accessibility with high resolution.



### > Electric Actuation

- Standardisation of electric actuation completed.
- Actuator gear unit designed to guarantee self-locking function.
- Available compliant with end-user specifications.

### > Other Options

- Low power electric, hydraulic, electro-hydraulic actuation methods are available on request.
- Full range adjustable mechanical travel stop available on request.



## Certification

- > Quality – ISO 9001
- > Metallurgy – NACE MR0175
- > Function – API PR-2
- > Fugitive Emission – ISO 15848-1/2
- > Fire-Safe – API 6FA
- > Hazardous Area – IEC Ex/ATEX/FM/C SA



## Product breakdown

### Blow-out proof stem design

Ensures highest safety standards for plant personnel

### Stem coating

Special stem coating reduces friction and increases lifetime of the FET packing

### Solid Tungsten Carbide Plug

Solid tungsten carbide eliminates galling and provides excellent erosion resistance. Large balance holes will not clog

### Stem Packing Arrangement

Primary sealing used to guarantee fugitive emission requirements. Secondary back-up sealing used for fire safe compliance

### Solid Tungsten Carbide DRAG® Disk Stack

Solid tungsten carbide for erosion resistance. Multi-step let-down to control velocity, erosion and noise. Large flow passages, easily handle solids and dirty fluids

### Metal Main Seal

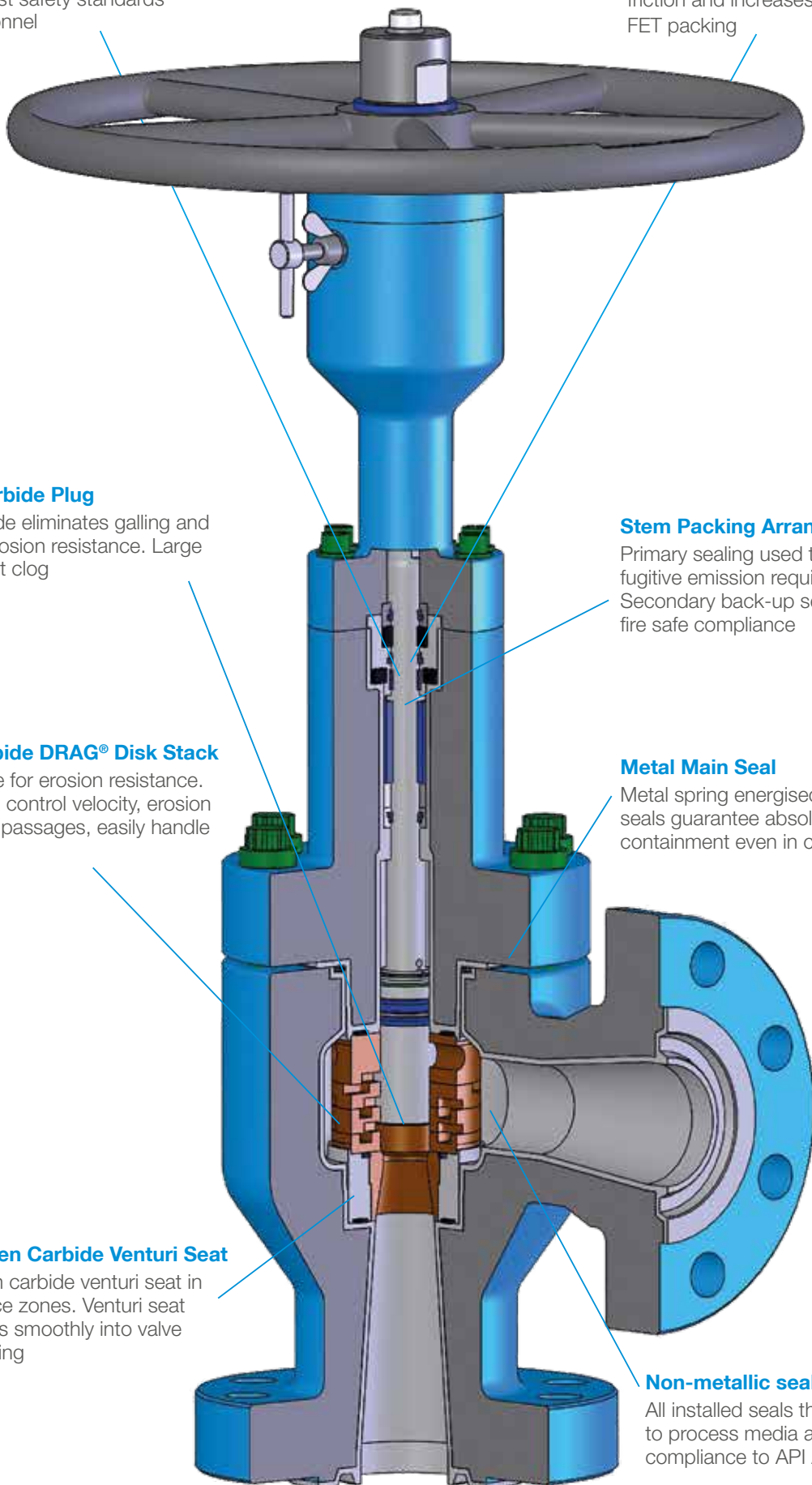
Metal spring energised body-bonnet seals guarantee absolute pressure containment even in case of fire

### Solid Tungsten Carbide Venturi Seat

Solid tungsten carbide venturi seat in high turbulence zones. Venturi seat transition flows smoothly into valve outlet and piping

### Non-metallic seals

All installed seals that are exposed to process media are fully in compliance to API Appendix F 1.13



---

## Americas

[imiccisales.americas@imi-critical.com](mailto:imiccisales.americas@imi-critical.com)

### **IMI CCI Brazil**

Sao Paulo  
Brasil

Tel: +55 11 2691 3361

### **IMI CCI Houston**

Texas  
USA

Tel: +1 832 467 7200

### **IMI CCI RSM**

California  
USA

Tel: +1 949 858 1877

---

## Asia-Pacific

[imiccisales.apac@imi-critical.com](mailto:imiccisales.apac@imi-critical.com)

### **IMI CCI Australia**

Melbourne  
Australia

Tel: +61 3 9213 0800

### **IMI CCI Japan**

Kobe  
Japan

Tel: +81 78 322 1220

### **IMI CCI Korea**

Paju-si  
Korea

Tel: +82 31 980 9800

### **IMI CCI Malaysia**

Kuala Lumpur  
Malaysia

Tel: +60 3 6412 3500

---

## China

[imiccisales.china@imi-critical.com](mailto:imiccisales.china@imi-critical.com)

### **IMI CCI China**

Shanghai  
PR China

Tel: +86 21 3973 8000

---

## Europe

[imiccisales.europe@imi-critical.com](mailto:imiccisales.europe@imi-critical.com)

### **IMI CCI Austria**

Wien  
Austria

Tel: +43 1 869 27 40

### **IMI CCI Brno**

Brno  
Czech Republic

Tel: +420 511 188 288

### **IMI CCI Italy**

Milano  
Italy

Tel: +39 02 4345 8611

### **IMI CCI Sweden**

Säffle  
Sweden

Tel: +46 533 689 600

### **IMI CCI Switzerland**

Balterswil  
Switzerland

Tel: +41 52 264 9500

### **IMI CCI United Kingdom**

Manchester  
UK

Tel: +44 (0)161 655 1680

---

## India

[imiccisales.india@imi-critical.com](mailto:imiccisales.india@imi-critical.com)

### **IMI CCI Bangalore**

Bangalore  
India

Tel: +91 80 4030 3500

### **IMI CCI SriCity**

Andhra Pradesh  
India

Tel: +91 85 7639 8000

---

## Middle East and Africa

[imiccisales.mea@imi-critical.com](mailto:imiccisales.mea@imi-critical.com)

### **IMI CCI Dubai**

Dubai  
United Arab Emirates

Tel: +971 4 807 3111

### **IMI CCI South Africa**

Witbank  
South Africa

Tel: +27 13 697 3305

---

## Other

[imicci.sales@imi-critical.com](mailto:imicci.sales@imi-critical.com)

[imicci.sales@imi-critical.com](mailto:imicci.sales@imi-critical.com)

### **IMI Critical Engineering**

Lakeside, Solihull Parkway  
Birmingham Business Park  
Birmingham B37 7XZ  
United Kingdom

Tel: +44 (0)121 717 3700

Fax: +44 (0)121 717 3701

[www.imi-critical.com](http://www.imi-critical.com)