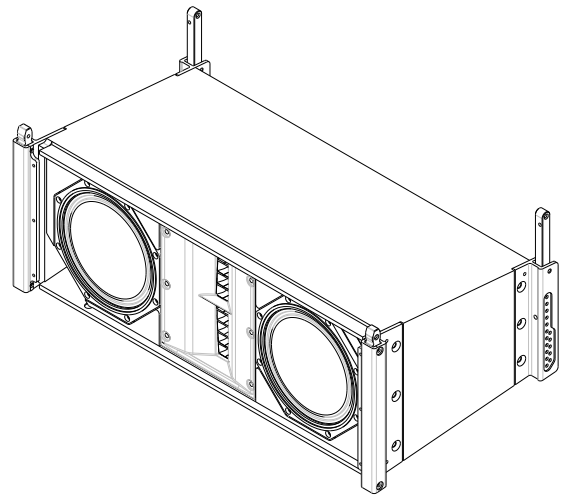


XLD281-FG Fiberglass 3-Way, High-Output, Very Compact Line-Array Element

- Very Compact, Lightweight
- CCT (Coverage Control Technology)
- 120° Horizontal Coverage to 200 Hz
- Bi-Amp or Tri-Amp Operation
- Neodymium Transducers



The XLD281-FG is a 3-way design using CCT (Coverage Control Technology) to control horizontal coverage to 200 Hz. It uses an 8 inch neodymium LF transducer, an 8 inch neodymium LF/MB transducer, and two neodymium 2 inch voice coil compression drivers combining through 2 hydra plane wave generators into a 120° x 10° waveguide. CCT uses both 8 inch transducers to provide maximum low frequency output and operating bandwidth while controlling horizontal beam width to 200 Hz by using DSP. The FG models are fully-weatherized and fiberglass-coated. The XLD281-FG can be used in tri-amp mode, or in bi-amp using a sophisticated internal passive network. Designed for use in arrays of four or more elements, the XLD281-FG delivers full bandwidth audio with precise, predictable coverage control. Integrated rigging with hinge points located correctly between array elements is simple to use and quickly provides uncompromised line array performance. The XLVC weatherized family consists of two full-range systems with dual woofers, two full-range systems with single woofers and a subwoofer system. The dual-woofer versions include the XLD281-FG with a 120° horizontal coverage pattern and the XLD291-FG with a 90° horizontal coverage pattern. The single-woofer

versions include the XLE181-FG with a 120° horizontal coverage pattern and the XLE191-FG with a 90° horizontal coverage pattern. The subwoofer module is the XCS312-FG. Most applications using flown very compact elements require subwoofers integrated into the same array as the full-range systems. XLVC provides three methods to conveniently do this. The XCS312-FG subwoofer module can be directly arrayed above, or below XLD281-FG full-range systems. LAPS2 modeling software quickly provides array configurations and rigging information. X-Line Very Compact weatherized models deliver unprecedented performance in outdoor venues in full exposure.

Technical specifications

Frequency Response (-3 dB):	75 Hz-18 kHz ¹
Frequency Range (-10 dB):	60 Hz-20 kHz ¹
Max Calculated SPL:	137 dB Cont., 143 dB Peak ²
Horizontal Coverage:	120°

2 | XLD281-FG Fiberglass 3-Way, High-Output, Very Compact Line-Array Element

Vertical Coverage:	Array Dependant, Software Definable
Rigging:	Fully Captive Aluminum, 1° increments, 16 elements with 8 to 1 Safety Factor
LF1 Power Handling:	200W Cont., 800W Peak
LF2 Power Handling:	200W Cont., 800W Peak
HF Power Handling:	80W Cont., 320W Peak
Biamp LF1/HF Power Handling:	200W Cont., 800W Peak LF2 - 200W Cont., 800W Peak
Bandpass Frequency:	50 - 250 Hz ³
LF1 to HF Crossover Frequency:	1760 Hz ³
LF 1 Passband:	1 x 8 inch DVN2080, 16 ohms
LF2 Passband:	1 x 8 inch DVN2080, 16 ohms
HF Passband:	2 x ND2S-8, 16 ohms
Biamp LF1/HF Passband:	16 ohms
Connectors:	Gland nut with 30 ft cable
Enclosure:	13-ply birch plywood with fiberglass and EVCoat
Grille:	Stainless steel with powder coat paint and hydrophobic cloth
Environmental Specifications:	IEC 60529, IP55
Dimensions (H x W x D):	9.9 in x 28.58 in x 14.52 in (251 mm x 726 mm x 369 mm)
Net Weight:	48 lb (21.8 kg)
Shipping Weight:	51 lb (23.1 kg)

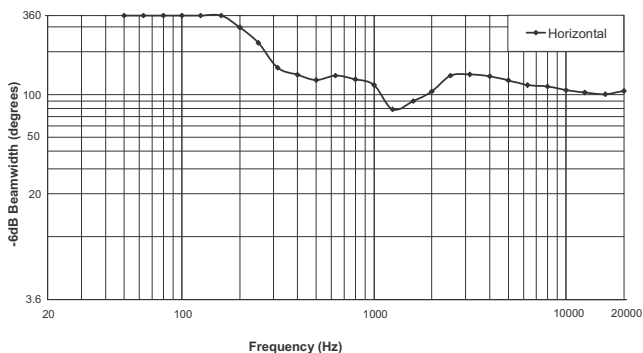
¹Full Space Measurement of four (4) elements.

²Full Space Measurement of HF section of four (4) elements, SPL adjusted for 1 m distance.

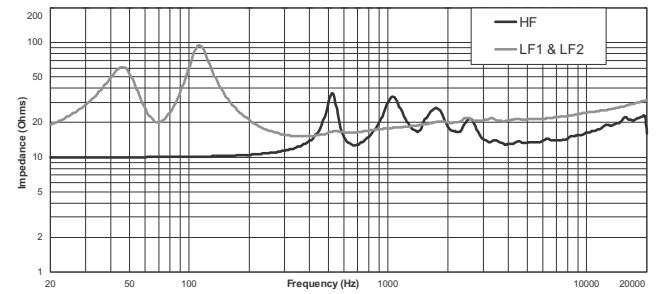
³Use EV signal processing or download presets from Electro-Voice website.

System overview

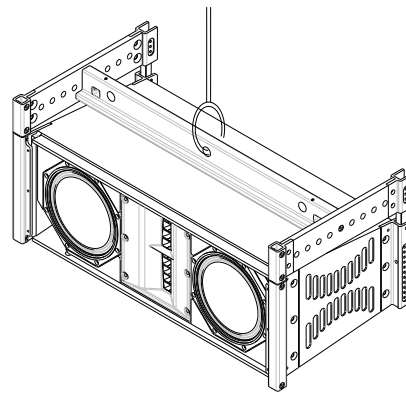
Beamwidth:



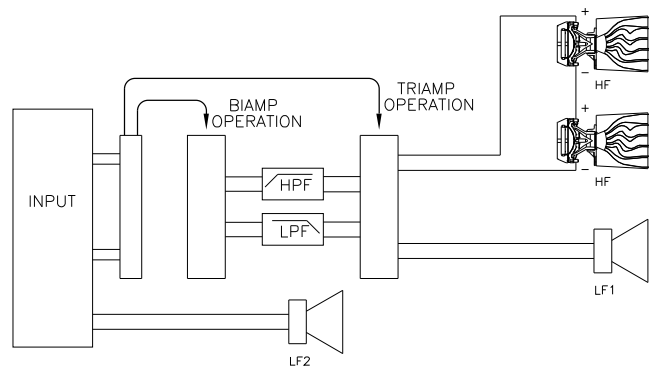
Impedance:



Grid Drawing:



Block Diagram:

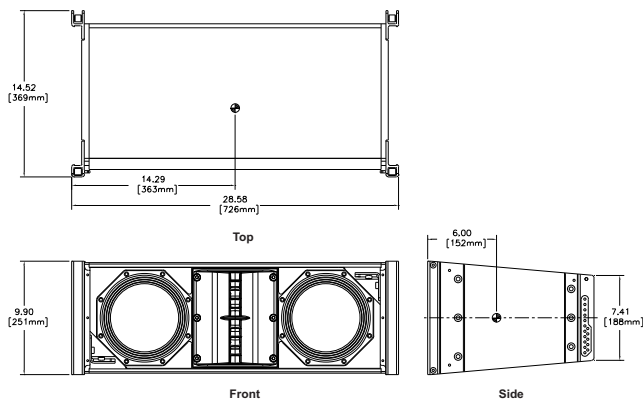


Wiring Detail:

Triamp	Biamp
Orange to HF+	NA
Yellow to HF-	NA
Blue to LF1+	Blue to LF1/HF+
Brown to LF1-	Brown to LF1/HF-
Red to LF2+	Red to LF2+
Black to LF2-	Black to LF2-

3 | XLD281-FG Fiberglass 3-Way, High-Output, Very Compact Line-Array Element

Dimensions:



XLCV-BGK-FGB Fiberglass Bottom Grid Kit Black
Bottom grid kit for XLD and XLE fiberglass (-FG) systems, black
Order number **XLCV-BGK-FGB**

Compatible System Solutions, Installed versions:

XLD291-FG 90° Full-Range Line Array Element

XCS312-FG Triple 12 inch Cardioid Compact Controlled-Coverage Bass Element

Compatible System Solutions, Electronics:

CP3000S Precision Series Power Amplifier

CP4000S Precision Series Power Amplifier

TG5 Tour Grade Power Amplifier

TG7 Tour Grade Power Amplifier

Dx46 Digital Sound System Controller

N8000 NetMax 300 MIPS Digital Matrix Controller

Ordering information

XLD281-FGB Fiberglass 3-Way, High-Output, Very Compact Line-Array Element Black

XLD Full-range cabinet, fiberglass, 2 x 8", 2 x ND2, bi-amp or tri-amp mode switchable, 120° H/10° V, integrated rigging system, black
Order number **XLD281-FGB**

XLD281-FGW Fiberglass 3-Way, High-Output, Very Compact Line-Array Element White

XLD Full-range cabinet, fiberglass, 2 x 8", 2 x ND2, bi-amp or tri-amp mode switchable, 120° H/10° V, integrated rigging system, white
Order number **XLD281-FGW**

Accessories

XLD Grid Fiberglass Black

XLD system fiberglass grid for up to 16 x XLD281-FG/ XLD291-FG or 8 x XCS312-FG, black
Order number **XLD-GRID-FGB**

XLD Grid Fiberglass White

XLD system fiberglass grid for up to 16 x XLD281-FG/ XLD291-FG or 8 x XCS312-FG, white
Order number **XLD-GRID-FGW**

4 | XLD281-FG Fiberglass 3-Way, High-Output, Very Compact Line-Array Element

Represented by:

Germany:

Bosch Sicherheitssysteme GmbH
Robert-Bosch-Ring 5
85630 Grasbrunn
Germany

Bosch Security Systems, Inc.
12000 Portland Avenue South
Burnsville MN 55337
USA

www.electrovoice.com