

6940.00.010

6940.00.020

Environment H2 sensor kit

Sensor **6940.00.060** is a security system that constantly detects the amount of Hydrogen present in the working environment of the GC and blocks the Hydrogen generation if it detects an amount greater than the safety threshold.

The **6940.00.055** controller reads the percentage of Hydrogen measured by the sensor 6940.00.060 and, if the value exceeds the threshold alarm, the Controller deactivates the solenoid valve in the **6940.00.056** block.

The alarm can be signaled to a PC and to a remote device.



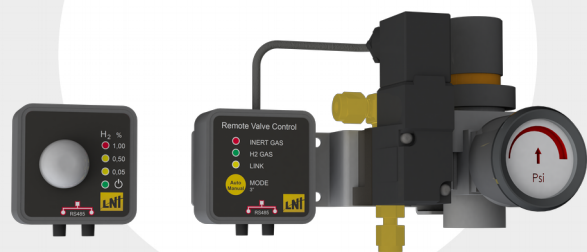
Sensor **6940.00.060** is engineered to work in standalone mode connected by RS-485 network to a Hydrogen Generator. The sensor can be connected directly with the **LNI** Hydrogen Generators. When the hydrogen concentration detected exceeds a threshold of safety, the Hydrogen Generator automatically stops the production and audible and visual alarms will be reported.

Main Applications

- GC working environment
- All environments where Hydrogen is used

Main advantages

- ✓ Continuous monitoring of the working environment
- ✓ Compatible with all GCs
- ✓ Simple installation
- ✓ Simple calibration
- ✓ Acoustic and optical alarms
- ✓ Potential explosion risks eliminated
- ✓ Low operating costs





6940.00.050

6940.00.055

Power Supply Voltage	12 VDC +/- 5%
Power Supply Current	0.8 A use with 6940.00.056
Valve output	Open collector 12VDC/500mA
Ambient temperature	5-35°C (41-95°F)
Ambient Humidity (max, non condensing)	80% at 25°C (77°F)
IP rating	IP20

6940.00.056

Hydrogen Inlet pressure	1 to 9 bar
Inert Inlet pressure	1 to 10 bar
Pressure regulator	1 to 9 bar

6940.00.060

Hydrogen Sensitivity Range	0.01% to 1.00% by Hydrogen volume (25% LEL, Lower Explosion Limit)
Accuracy	± (5.0% + 1000ppm)
Typical Response Time	less than 20 sec
Power Supply Voltage	From 9VDC to 28VDC
Communication port	RS-485
Protocol	MODBUS-RTU
Accuracy checking interval	1 year (suggested 180 days)
Hydrogen Sensor Technology	Dioxide semiconductor
Product Life Expectancy	10 years
Body temperature range	-10 °C to 40 °C

Ordering codes

H2 sensor kit

6940.00.010

OPT.H2.SENS.K1

6940.00.020

OPT.H2.SENS.K2

Spare parts

6940.00.050

OPT.H2.SENS.RV

6940.00.060

OPT.H2.SENS.1

6940.00.080

OPT.H2.SENS.PS4

Accessories (optional)

6940.00.090

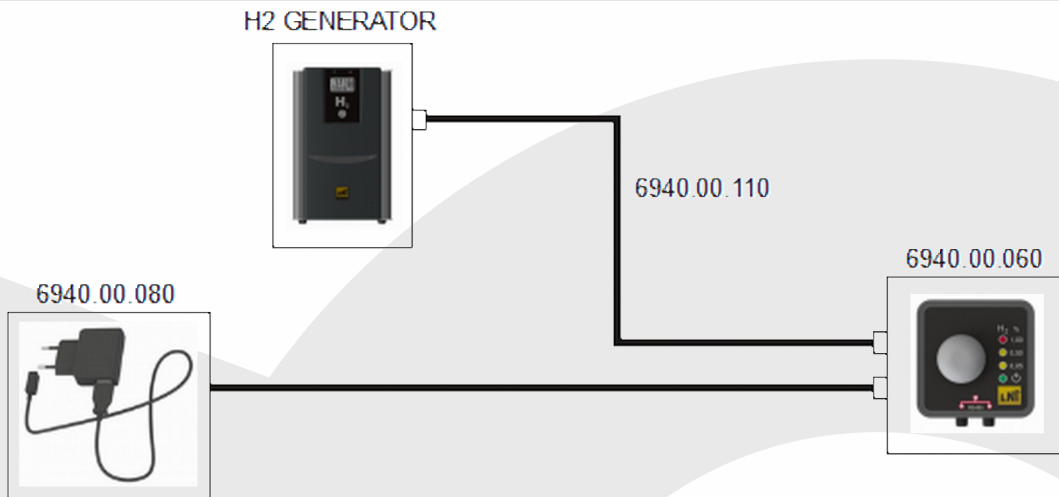
OPT.H2.SENS.485PBX



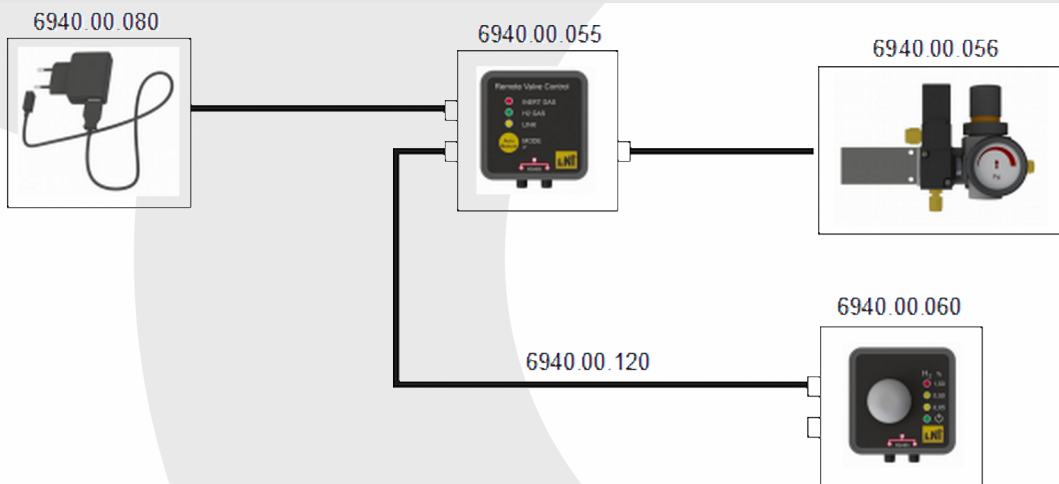


Principle diagram

Sensor kit **6940.00.010**



Sensor kit **6940.00.020**



LNI Swissgas
www.lni-swissgas.eu

For further
information or to
trial the equipment,
please contact us:

U·VISON

Tel: **01322 285850**

Email: **info@uvison.com**

Uvison Technologies Demo Lab
6 Nepicar Park, London Road, Sevenoaks, Kent TN15 7AF