



Product name

Double-edged mechanic nut splitter

Double-edged models exerting twice the normal splitting force on irretrievable nuts in quality classes 5, 6 and 8.










Art. No. 54-3

Series 54

EAN 4021176170799



	Technical attribute	Metric	Imperial
	Nut size	17 - 36 mm	3/4 - 1 3/8 inch
	Cutting width of chisel	16 mm	
	Length without spindle	134 mm	
	Hexagon drive (male)	19 mm	
	Weight	0.72 kg	
	Cutting width of chisel (inch)		5/8 inch
	Length without spindle (inch)		5 1/4 inch



Technologies



PULLBACK

Automatic retraction of the splitting chisel via actuator bolt.



Spare part

Art. No.**Product name**

54-3-M

New splitting chisels for nut splitter

Part of

Art. No.**Product name**

K-54-B

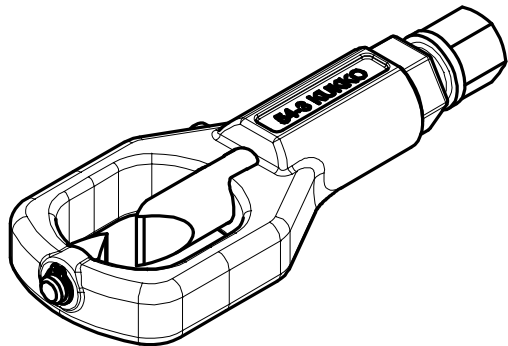
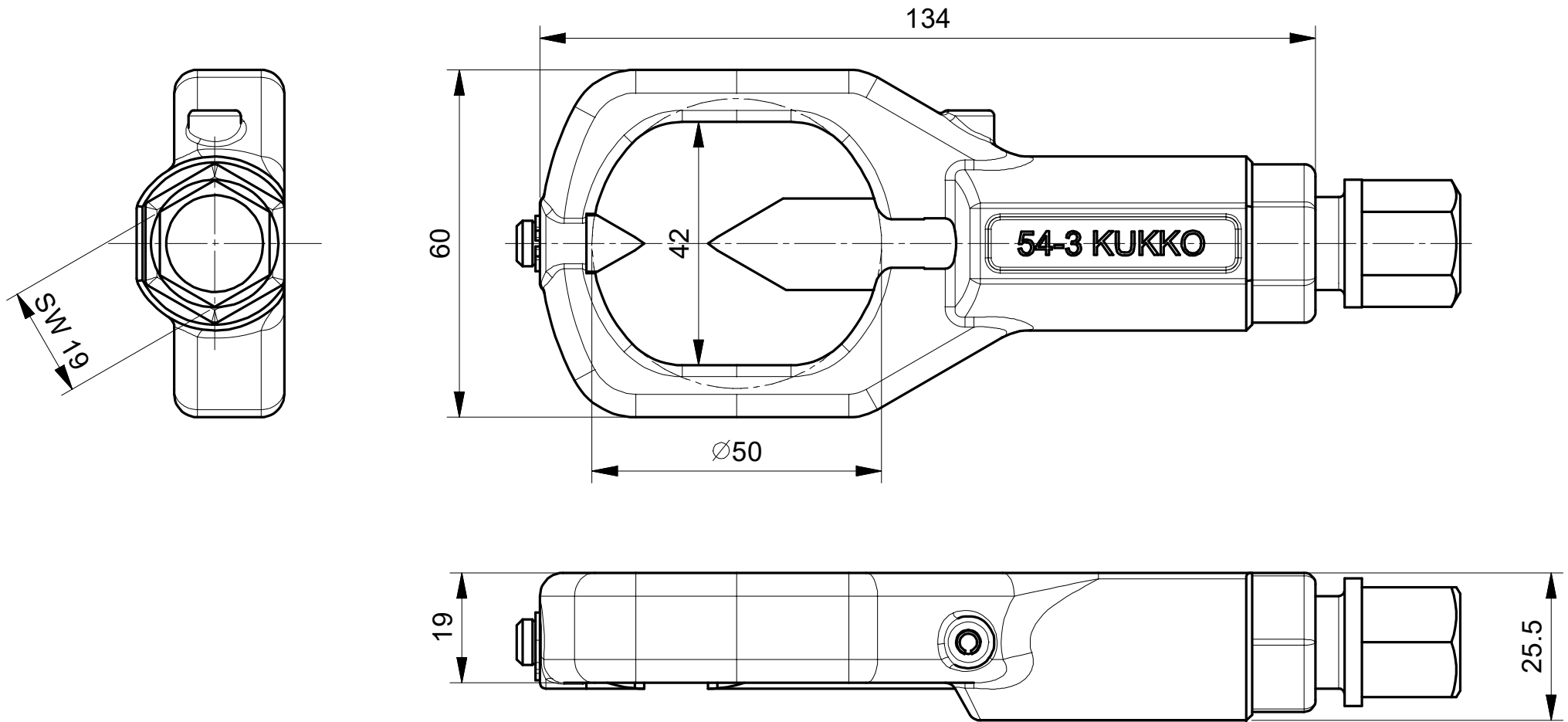
Mechanical nut splitter set

EVLW-2-KFZ

Merchandiser, automotiv pullers

EVLW-2-NFZ

Merchandiser, automotive pullers / commercial vehicle / agricultural machinery



 Kleinbongartz & Kaiser oHG Werkzeugfabrik Hilden - Germany	Dokumentname: 54-3_Muttersprenger		Toleranz: DIN ISO 2768-m	
	Dokumentbeschreibung: Baugruppe		Material: Hoch legierter Werkzeugstahl / High alloy tool steel	
	Erstellt von: Breidenbach	Erstellungsdatum: 29/05/2019	Maßstab: 1:1	
Teilbeschreibung: Zweischneidiger mechanischer Muttersprenger/ Double-edged mechanic nut splitter			Wärmebehandlung / Härte: vergüteter Stahl/ tempered steel	
			Oberflächenbehandlung: -	
Artikelnummer / ZNR.: 54-3	Dokumentversion: -	Schutzvermerk ISO 16016 beachten		