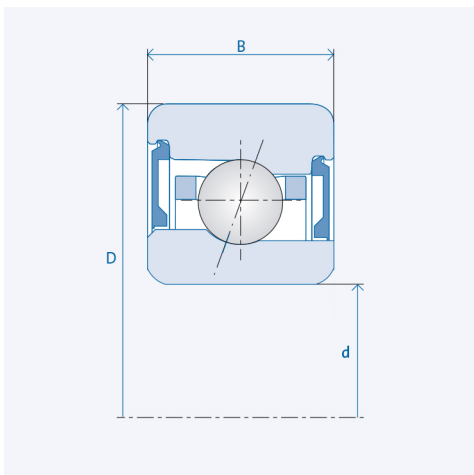


# Spindle ball bearings (HY)\* KH 61913 C



## Precision class P4 / ABEC7

### Components

Bearing designation:	(HY)* KH 61913 C
Bearing design:	KH
Series / size:	61913
Ball material:	Steel 100Cr6
Ball material HY :	Ceramic Si3N4
Cage:	TA (TXM available upon request)
Seal:	2RZ upon request
Precision:	P4 (HG, UP, P2 upon request)
Main dimensions [d x D x B]:	65 x 90 x 13 mm

### Technical data (Standard bearings)

Static load capacity $C_0$ :	8600
Dynamic load capacity C:	10600
Speed limit $n_{Fett}$ :	20625
Speed limit $n_{Oj}$ :	27500

### Technical data (Hybrid bearings)\*

Static load capacity $C_{0HY}$ :	6050
Dynamic load capacity $C_{HY}$ :	10600
Speed limit $n_{Fett}$ :	25781.25
Speed limit $n_{Oj}$ :	34375

### Pre-tension

Light (L):	55 N
Axial rigidity ( $C_{ax}$ ):	56 N/ $\mu$ m
Medium (M):	160 N
Axial rigidity ( $C_{ax}$ ):	83 N/ $\mu$ m
Heavy (S):	320 N
Axial rigidity ( $C_{ax}$ ):	110 N/ $\mu$ m
Spring preload (Ff):	380 N

The given speed limits apply to individual bearings with spring preload. Correction factors must be considered for all properties which deviate from this.

\* All ball bearings are also available as hybrid ball bearings (HY).