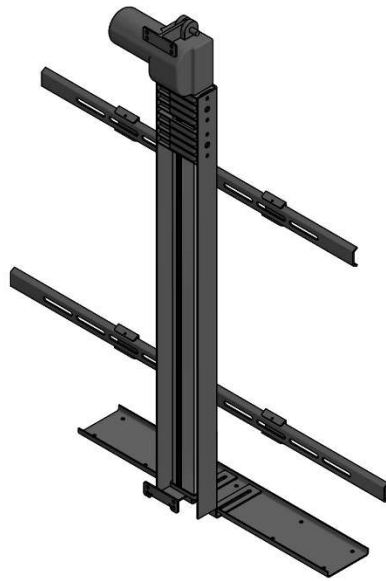




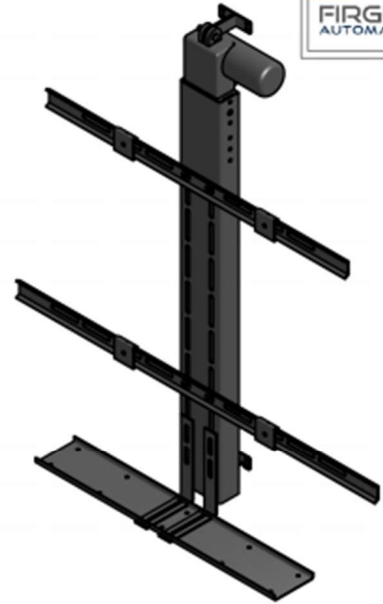
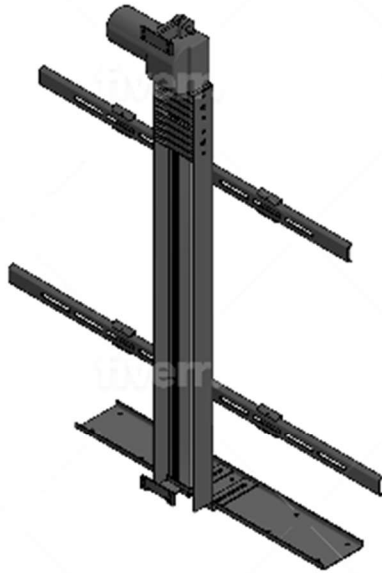
DTVL - Next Generation - Drop Down TV Lift



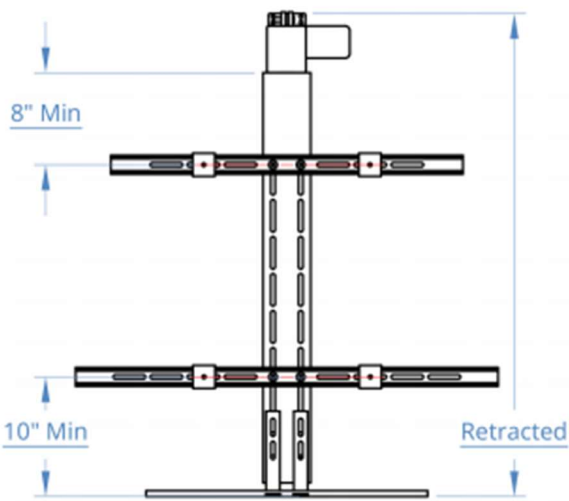
Model	FA-DTVL-100-27 FA-DTVL-100-37 FA-DTVL-100-47 FA-DTVL-100-57
Recommended TV Size	UP TO 55" TALL - (100" TV'S ARE APPROX 50" TALL)
Input Voltage	110 volt AC / 60H
Output Voltage	24 volt DC, Max 50 VA
Input Current	1 amp
IP Rating	43
Operational Temperature	-15°F to 150°F (-26°C to 65°C)
Duty Cycle	10% max, 2 min. on, 10 min. off
Load Capacity	100 lbs.
Depth	4 3/8 inches
Noise	5 dB
Speed	0.8 inches per second
Limit Switch	Built in, includes external micro switch
Control Options	RF Wireless Remote and Wired

PART NUMBER
FA-DTVL-100-XX

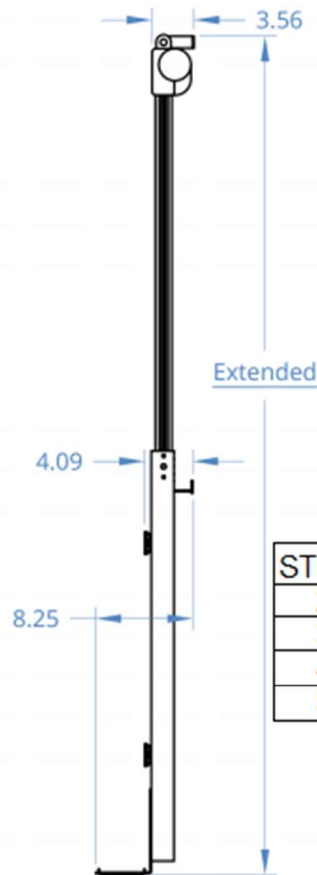
DESCRIPTION
DROP DOWN TV LIFT



ISOMETRIC | RETRACTED

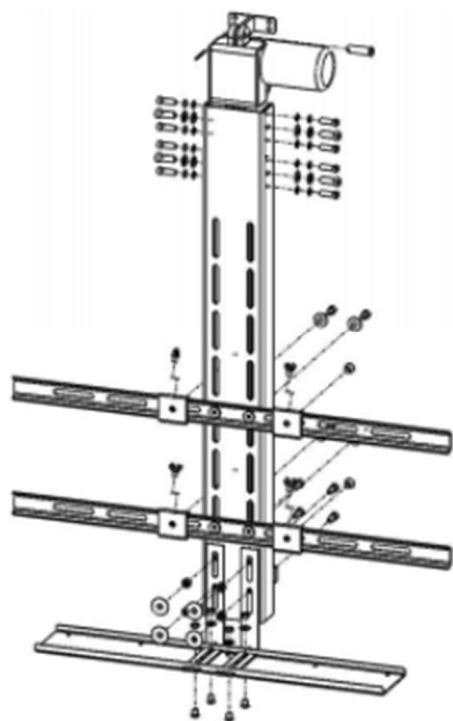


FRONT VIEW | RETRACTED



SIDE VIEW | EXTENDED

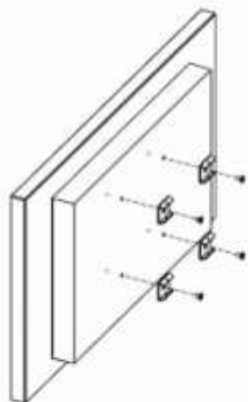
STROKE	RETRACTED	EXTENDED
27"	42.6"	69.6"
37"	52.6"	89.6"
47"	62.6"	109.6"
57"	72.6"	129.6"



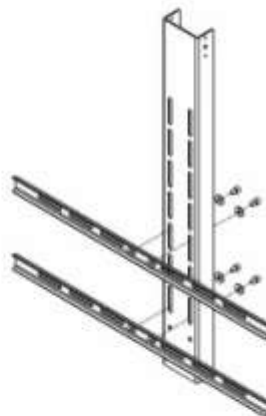
Hardware		
Bag	Name	Quantity
Screws for Drywall	Phillips Countersunk Screws M5 x 10	4
	Flat Washer M6	4
	Nut M5	4
	Hex Bolt M8 x 12	4
	Nut M8	4
Screws for Sliders and TV Mounting Bars	Phillips Countersunk Screws M5 x 8	4
	Hex Bolt M8 x 10	4
	Butterfly Wing Nut Screw M5 x 9	4
Mounting Accessories for TV Bracket	Hex Bolt M10 x 25	4
	Flat Washer M11	4
	Locking Washer M11	4
	Hex Bolt M6	8
	Flat Washer M6	8
	Locking Washer M6	8
End Mounting Parts	Clevis Pin	1
	Cotter Pin	1

Assembly Instructions

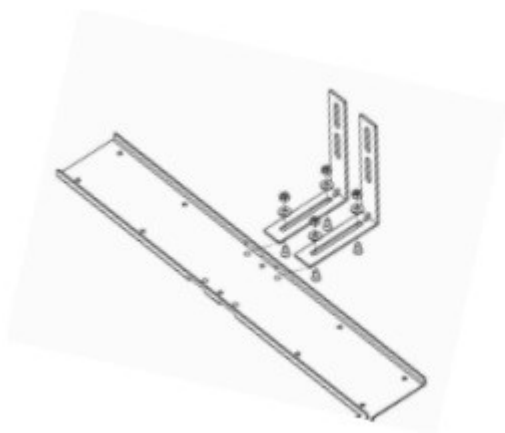
1. Attach the Small TV Brackets (4) to the back of your television using the four M5 x 8 Phillips Countersunk Screws. Please be aware that the supplied screws may not fit your television. Ensure that you have the appropriate TV mounting screws before continuing. Tighten until secure.



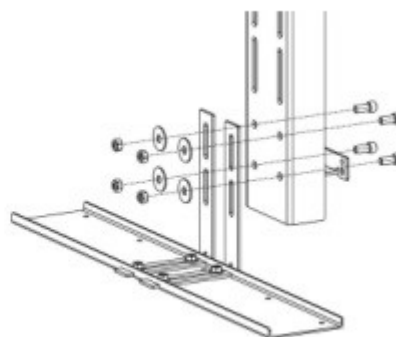
2. Attach the Long TV Support Arms (2) to the Main Long Bracket using the four M8 x 10 Hex Bolts. Choose the 30" or 36" arms depending on the width of your TV. Measure and space the arms so the TV can slide on using the TV brackets from step 1. Tighten until secure.



3. Slide the L Brackets (2) through the slots on the Drywall Bracket and attach using the four M5 x 10 Phillips Countersunk Screws, M6 Washers, and M5 Nuts. Tighten until secure.



4. Attach the assembled Drywall Bracket to the Main Long Bracket using the four M8 x 12 Hex Bolts and M8 Nuts. Note that the Drywall Bracket can be attached to either side of the Main Bracket. Tighten until secure.

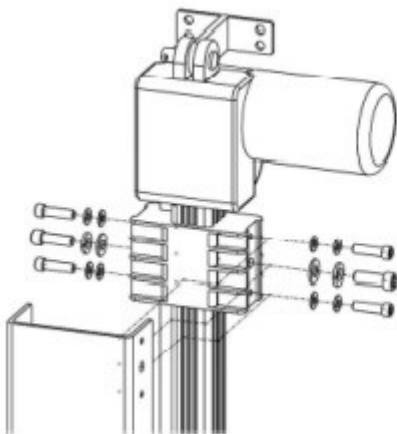


- 5.** Attach the "T" Bracket to the top end of the Track Actuator using the Clevis Pin and secure it with the Cotter Pin.

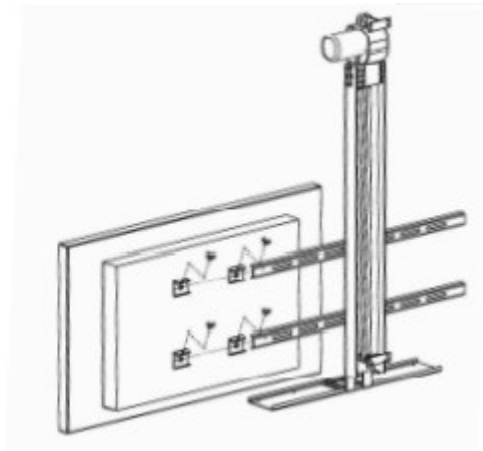


- 6.** The Track Actuator may now be mounted to your installation using the top "T" Bracket and the attached bracket at the bottom of the actuator. Ensure the position of the actuator allows for the correct fit of the TV and the drywall bracket. Screws are not provided for this step. Use the appropriate hardware for your installation.

- 7.** Plug in the actuator to the Control Box and extend the actuator. Mount the assembled Main Long Bracket to the sliding carriage on the Track Actuator using the four M6 x 25 Hex Bolts, M6 Locking Washers and M6 Washers for the smaller holes on the outside and the two M10 x 25 Hex Bolts, M11 Locking Washers, and M11 Washers for the middle holes. Install all of the bolts before tightening to ensure proper alignment.



- 8.** Now that the Drop Down TV Lift is assembled you can attach your TV to the lift. Slide the TV Mounting Brackets onto the TV Long Arms and secure using the four M5 x 9 Butterfly Wing Nut Screws. Tighten until secure.



9. Program the Wireless Remote by pressing and holding the reset button on the side of the Control Box. While the reset button is held press the *up* and *down* button on the wireless remote once. Release the reset button and the Wireless Remote is ready for use.



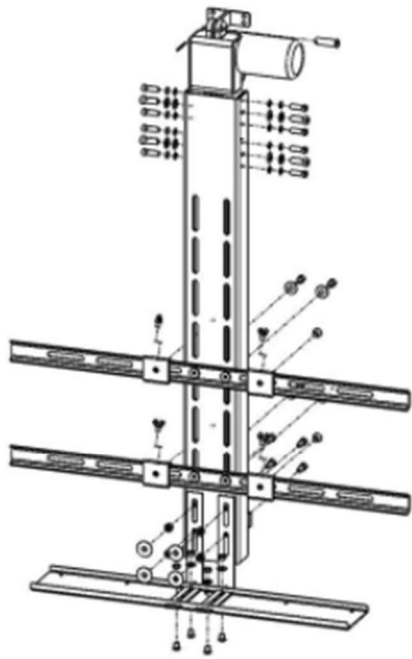
10. The Wireless Remote can be used for non-momentary operation. Press the *up* button once to move the lift up and press the *up* or *down* button to stop the lift at any time. Press the *down* button once to move the lift down and press the *down* or *up* button to stop it.

11. For momentary control use the optional Rocker Switch. Plug it into the Control Box and hold "2" on the Rocker Switch to move the lift up and hold "1" to move the lift down.



12. To stop the TV lift from retracting further than desired you may install the External Limit Switch. This step is completely **optional** and does not need to be completed in order for the TV lift to operate. The Limit Switch stops the lift from moving once it is pressed. Plug the Limit Switch into the Control Box and then install it so it will be pressed while the lift is moving up and right before the Drywall Bracket touches the ceiling. You may need to make a bracket to screw the Limit Switch to.





Hardware		
Bag	Name	Quantity
Screws for Drywall	Phillips Countersunk Screws M5 x 10	4
	Flat Washer M6	4
	Nut M5	4
	Hex Bolt M8 x 12	4
	Nut M8	4
Screws for Sliders and TV Mounting Bars	Phillips Countersunk Screws M5 x 8	4
	Hex Bolt M8 x 10	4
	Butterfly Wing Nut Screw M5 x 9	4
Mounting Accessories for TV Bracket	Hex Bolt M10 x 25	4
	Flat Washer M11	4
	Locking Washer M11	4
	Hex Bolt M6	8
	Flat Washer M6	8
	Locking Washer M6	8
End Mounting Parts	Clevis Pin	1
	Cotter Pin	1