

Spark Plugs & Accessories

GE2-3

DENSO® Industrial Spark Plug



The new DENSO® spark plug GE2-3 was specially developed for use in state-of-the-art engine applications and, with its unique iridium alloy on the center and ground electrode, is ideally suited for operation with natural and special gases.

The new designed, protruding ground electrode with copper core provides improved heat dissipation and reduces wear on the electrode base material, resulting in increased electrical and mechanical strength and service life. The longer insulator design also offers the best protection against flashovers.

General Features

- Longer insulator design offers best flashover protection
- Suppression of electromagnetic interference (EMI)
- The ground electrode with copper core increases the electrical and mechanical load capacity
- J-type electrode design for enhanced combustion
- Advanced spark erosion resistance

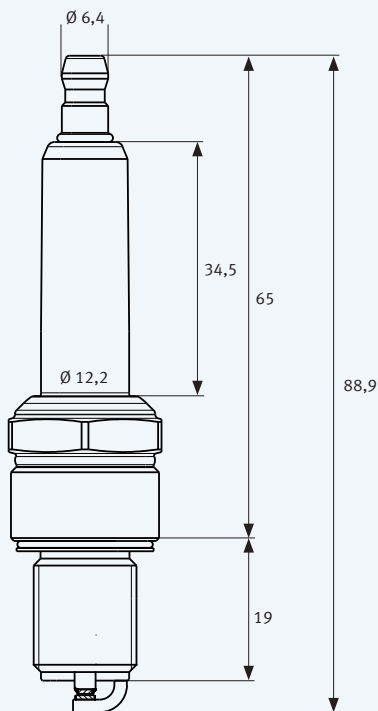
Key Design Features

- 1 Longer ceramic insulator offers best flashover protection
- 2 Integrated stress resistant monolithic resistor suppresses electromagnetic interference (EMI)
- 3 J-type electrode design and use of higher erosion resistance materials
- 4 Center electrode with laser welded Iridium alloy pad
- 5 Protruding ground electrode with copper core and laser welded Iridium pad



Spark Plugs & Accessories

GE2-3



Thread size: M14x1,25
Thread reach: 19.0 mm (0.75 inch)
Alloy center/ground electrode: Iridium / Iridium (Ir/Ir)
Electrode gap: 0.20 mm (0.008 inch)
HEX: 20.8 mm (13/16 inch)
Spark plug socket: 07.99.022-4-L
Tightening torque: 30 Nm (22 lb-ft)
Resistance value: 2 to 10 kΩ
Typical applications: e. g. MAN® E2876 LE202, E32 series
Equivalent to: FEDERAL-MOGUL® 14GZ-LL2, 14GZ-LL, FN85WWCC, FN86WWCC, 14R-4DIU2, 14R-4DIU3
 DENSO® GE3-1, GE3-5
 CHAMPION® RN79G

Recommended engines:
ARIEL®: JGS-1 High tension, JGS-1 Low tension
ARROWENGINE®: VRG176, VRG220, VRG330
CATERPILLAR®: G300 series (3/4"), G3300 series (3/4"), G3400 series
CUMMINS®: No. 173416 5/8" Reach w/N677 Gasket (w/special adapter), No. 90210035, 90210036 (3/4" Reach)
DORMAN®: 3DAG, 4DAG, 6DAG, 6QG.D, ATG4.6, 6SEG, 8SEG, 12SEG, 6SETCWG MinNox
ESS-VIESSMANN®: Vitobloc 200 EM -140/207
FORD®: 158, 175, 201, 256 cid
GENERAL MOTORS®: 305, 351, 401, 478, 702 (all gasoline and LPG)
INTERNATIONAL®: C-537, C-605
JOHN DEERE®: 300 series
J-W POWER®: Superburn Pre-cell
LIEBHERR®: G924 series, G926 series
MAN®: E08 series, E28 series, E32 series
MTU®: 400 series
RMB/ENERGIE®: neoTower® 50.0; Motor-Typ: MAN® E0834 E302
ROLLS-ROYCE®: C series, K series
VOLVO TRUCK®: GH10C, MG9
WAUKESHA®: F11G, F11GSI/CSID, P2154G, P2154GSI, H1077G, H1077GSI, L1616G, L1616GSI
 Natural LP gas/14mm heads: H1077G, H1077GSI, L1616G, L1616GSI, VRG220, VRG330, VRN265, VRN293, VRN310

Distribution:

Copyright

The copyright for all materials used in this MOTORTECH publication is reserved. Any kind of duplication or use of objects such as pictures or texts in other electronic or printed publications without approval by MOTORTECH is not permitted.

Trademark Information

MOTORTECH products and the MOTORTECH logo are registered and/or common law trademarks of MOTORTECH GmbH. All OEM names and part numbers shown are for reference purposes only. All trademarks, logos and symbols used or shown in this MOTORTECH publication are exclusive objects to the right of their owners and are used for reference purposes only.