

## MAIN FEATURES

- High-End constant current LED driver for professional and very high light flux LED modules (over 82.000 lm)
- Nominal input voltage: 220-240/277/347/400 V<sub>AC</sub>
- Insulation Class I
- 2 independent output channels
- Max output power 521 W (per output channel)
- Output current range 700-1400 mA (per output channel), DALI-2 programmable
- Output voltage range 260 – 520 V<sub>DC</sub> (per output channel)
- IEEE 1789 Flicker Recommended Practice Compliant
- Max remote distance 200 meters
- DALI-2 control up to 33 fps
- Hot restrike (below 1 s from 0 to 100%)
- Surge level 10 kV for common mode and differential mode
- Certification CE, UL and ENEC; suitable for emergency lighting (EL), with AC supply only, in centralized control systems. Full design conformity to Chinese, Australian and New Zealand safety standards
- Adaptable thermal protection for LED Modules
- Lifetime: >90.000 hours at maximum load
- Short circuit, overpower, over voltage protection
- DALI-2 configurable single-channel (1 x DT6) or multi-channel (up to 2 x DT6) operating mode
- Autonomous “Middle-Of-The-Night” dimming (“Adjustable Dimming”)
- Constant Lumen function
- PMD implementation according to DiiA Part 251 and Part 253 specifications
- Remote firmware update
- IP66 enclosure

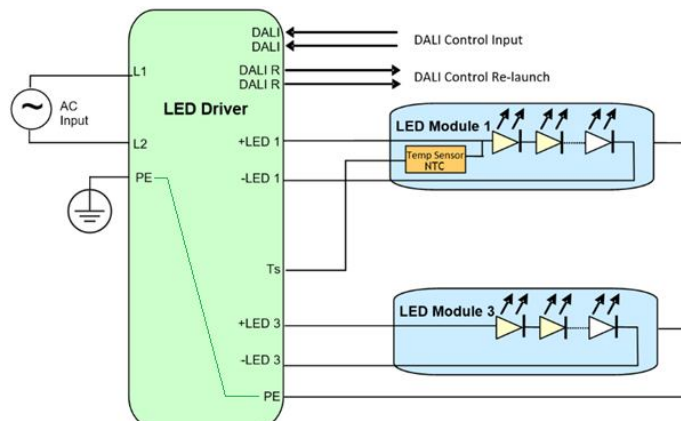


## DESCRIPTION

This datasheet details the electrical, mechanical and environmental specifications of a Class I non-insulated, 1042 W, 2 (two) output constant current channels DALI-2 programmable. An IP66 enclosure makes it also suitable for outdoor applications and its electrical characteristics make it suitable for TV broadcasting applications.

This LED driver has been specifically conceived and intended to supply high quality and programmable constant current to high end professional LED modules capable of very high luminous flux (>82000 lm). This driver is therefore specifically suitable for high end professional lighting sectors requiring high luminous flux, high power and quality standards such as sport venues lighting, large area lighting, horticulture, tunnel and high-mast lighting. The technical performances ensure high luminous flux, higher energy efficiency and higher current quality than most common and multi-purpose low / medium power control-gear.

The DLD1000-H120-DA LED driver is UL certified according with UL 8750 and ENEC certified according the IEC/EN 61347-2-13, IEC/EN 61347-1 and IEC/EN 62384.

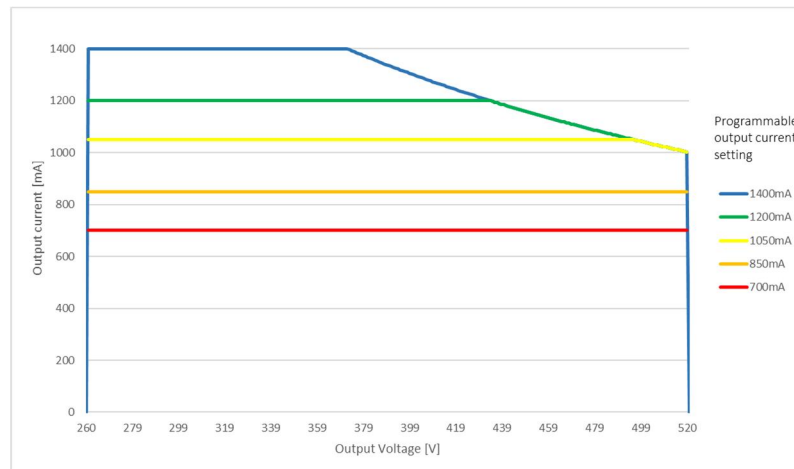


## MODEL CODING AND OUTPUT RATINGS

Model Ordering Code	Dimming	Output Channels	Pout Max [W]	V <sub>OUT</sub> Min [V <sub>DC</sub> ]	V <sub>OUT</sub> Max [V <sub>DC</sub> ]	I <sub>OUT</sub> Programmable Settings [mA]				
DLD1000-H120-DA (Eng Code: RHPS555AK-A)	DALI-2	2	1042	260	520	700	850	1050	1200 (*)	1400

(\*) 1200 mA is the factory default setting output current

## OUTPUT MAXIMUM ABSOLUTE RATINGS



## INPUT SPECIFICATION

Specification	Test Conditions / Notes		Min	Nom	Max	Units
<b>AC Input Voltage</b>	220-240/277/347/400 V <sub>AC</sub> Device starts and operates at 190 V <sub>AC</sub> at all load conditions		198	220-400	440	V <sub>AC</sub>
<b>Input Frequency</b>			47	50/60	63	Hz
<b>Efficiency</b>	220 V <sub>AC</sub>	Load (1400 mA, 372 V)	95	96	-	%
	400 V <sub>AC</sub>	Load (1400 mA, 372 V)	-	96.5	-	
<b>Efficiency</b>	220 V <sub>AC</sub>	Load (1050 mA, 495 V)	-	96	-	%
	220 V <sub>AC</sub>	Load (700 mA, 372 V)	-	95.5	-	
	400 V <sub>AC</sub>	Load (700 mA, 372 V)	-	96	-	
	400 V <sub>AC</sub>	Load (700 mA, 260 V)	93.5	94	-	
<b>Input Current</b>	220 V <sub>AC</sub>	Load (1400 mA, 372 V)	-	5	5.5	A
	400 V <sub>AC</sub>	Load (1400 mA, 372 V)	-	2.8	3.1	
	220 V <sub>AC</sub>	Load (1050 mA, 495 V)	-	4.9	5.5	
<b>Power Factor</b>	220 V <sub>AC</sub>	Load (1400 mA, 372 V)	-	0.99	-	
	400 V <sub>AC</sub>	Load (1400 mA, 372 V)	0.97	0.98	-	
	400 V <sub>AC</sub>	Load (700 mA, 260 V)	0.80	0.85	-	
<b>THD</b>	220 V <sub>AC</sub>	Load (1400 mA, 372 V)	-	-	3	%
	400 V <sub>AC</sub>	Load (1400 mA, 372 V)	-	-	8	
	400 V <sub>AC</sub>	Load (700 mA, 260 V)	-	-	15	
<b>Inrush Current (peak)</b>	230 V <sub>AC</sub>	Half Value time: 2 ms	-	-	29	A
	400 V <sub>AC</sub>	Half Value time: 2 ms	-	-	50	
<b>Harmonic Current</b>	Complies with EN-61000-3-2, Class C load >25%					
<b>Hot Restrike</b>	Hot restrike in less than 1 s preventing the triggering of a circuit breaker "C-Type 16A MCB" connected with 1 Driver					

**Note:** the specified load conditions reported in the "Test Conditions / Notes" columns, are simultaneously applied to all output channels.

## OUTPUT SPECIFICATIONS

Specification	Test Conditions / Notes	Min	Nom	Max	Units
<b>Output Channels</b>	2 independent output channels				
<b>Total Output Power</b>		-	-	1042	W
<b>Output Power Rating</b>	Per output channel	-	-	521	W
<b>Output Voltage</b>		260	-	520	V <sub>DC</sub>
<b>Output Current</b>	Programmable via DALI in 5 steps: 700/850/1050/ <b>1200 (default)</b> /1400	700	-	1400	mA
<b>Minimum dimming level</b>		5	-	-	mA
<b>Ripple Current_HF</b>	High frequency (>15 kHz) I <sub>HFpk-pk</sub> /I <sub>outAVG</sub> at 1400 mA, 372V	-	-	15	%
<b>Ripple Current_LF</b>	Low frequency <1 kHz	-	-	2	%
<b>Flicker</b>	IEEE 1789 Flicker Recommended Practice Compliant				
<b>Current Set Accuracy</b>		-	±3	-	%I <sub>OUT</sub>
<b>Turn-on Time</b>	Compliant with clause 9.13 of IEC 62386-102:2014	-	0.7	1	s
<b>Max Remote distance</b>	Max distance between the LED driver and each LED module connected with an appropriate cable section to ensure a total voltage drop < 5 V on each channel. The total V <sub>F</sub> shall not exceed the max V <sub>OUT</sub> rating			200	m

## PROTECTION FEATURES

Specification	Test Conditions / Notes	Min	Nom	Max	Units
<b>Output Over Voltage</b>	The faulty channel shuts down and restarts approximately every 5s	-	-	535	V
<b>Output Under Voltage</b>	The faulty channel shuts down and restarts approximately every 5s	200	-	-	V
<b>Output Short-Circuit</b>	The faulty channel shuts down and restarts approximately every 5s	-	-	-	-
<b>Over Power</b>	If in each channel the output power exceeds this threshold, its current will be reduced. Removing the fault conditions the normal operation is recovered.	522		530	W
<b>Internal OTP vs T<sub>AMB</sub></b>	The LED Driver checks the internal temperature every 60 seconds. If an OT condition is detected, the output current is gradually reduced. In any condition the output current will not decrease below 20% of the set current	46			°C
<b>No Load V<sub>OUT</sub> Transient (peak)</b>	The faulty channel shuts down and restarts approximately every 5s			630	V
<b>Isolation</b>	Class I (with PE)				

## INFORMATION ON ISOLATIONS

- The DALI control terminals in some installations are considered FELV control terminals. Since the DALI circuit have an internal reinforced insulation from live parts there is not any risk to touch the DALI terminals of the control gear when it is connected to a controller with reinforced insulation, or when it is not connected. But in some installations the DALI control wiring is not provided with a reinforced insulation with respect to LV. For this reason, the DALI terminals are marked with the warning of "Risk of electric shock" and this line is considered not safe to touch. This is to protect against the fault of the insulation of the external control circuit.
- NTC control circuit is not separated from Primary/LED outputs circuits.
- LED outputs circuits are not separated from Primary circuit.
- LED outputs circuits are not separated from each other LED outputs circuits.
- U-OUT = 600V

## INRUSH CURRENT DATA

The maximum number of LED drivers connectable to a single MCB is reported in the following table for each nominal input voltage. Due to the different kinds of circuit breakers available on the market, this table is just for reference.

V <sub>IN</sub> Inrush Current Data			# drivers for each Circuit Breaker											
Nominal [V <sub>AC</sub> ]	I <sub>peak</sub> (A)	Half Value Time (μs)	Type B 10A	Type B 16A	Type B 20A	Type B 25A	Type C 10A	Type C 16A	Type C 20A	Type C 25A	Type D 10A	Type D 16A	Type D 20A	Type D 25A
230	29	2000	1	2	3	3	1	2	3	3	1	2	3	3
400	50	2000	0	1	1	2	1	1	2	3	2	3	4	5

## OUTPUT CONTROLS

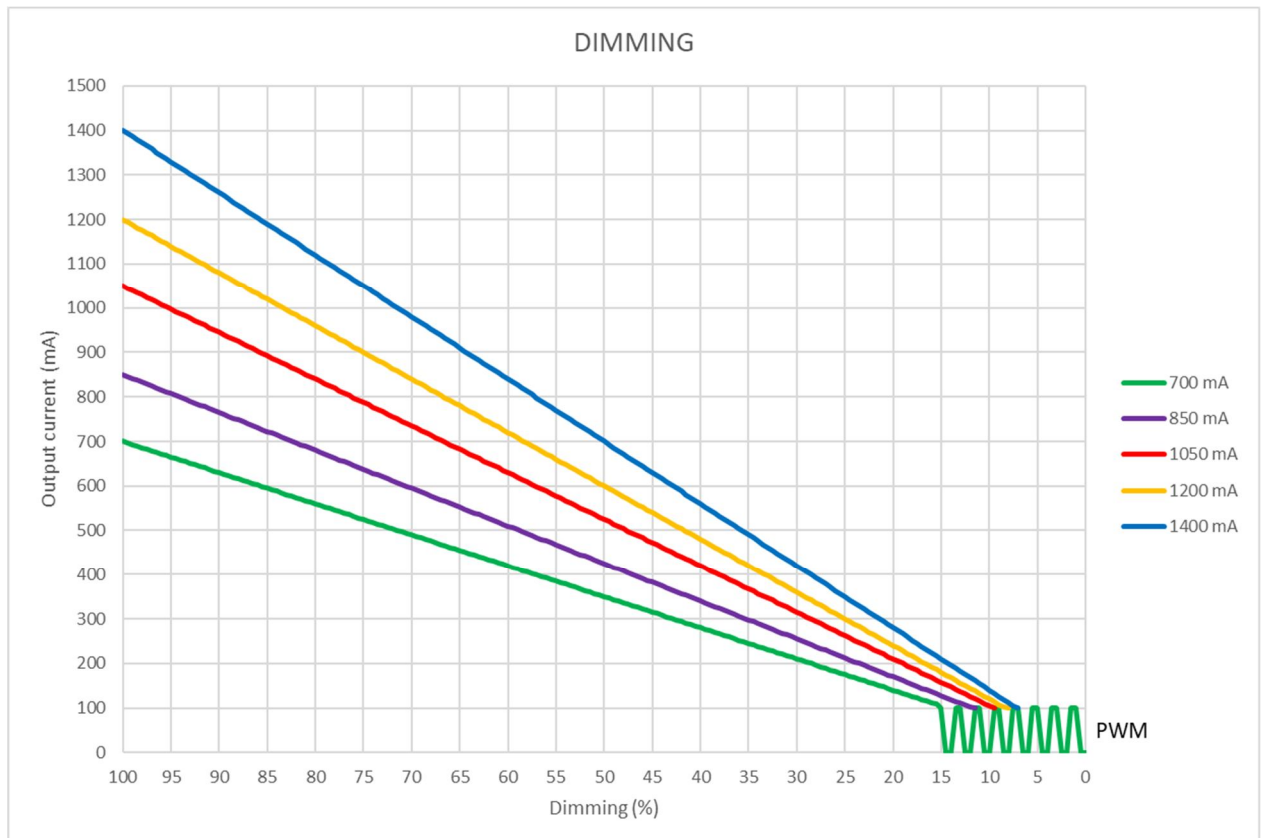
DALI-2 Dimming Control:

The driver provides a DALI-2 interface “standards IEC 62386-101:2014, IEC 62386-102:2014 and IEC 62386-207:2009 (LED modules, device type 6)”

The 2 output channels will have the same current settings.

Dimming range: 5 mA to 100% of rated current.

Dimming Type: Constant Amplitude diming from 100% to 100 mA, PWM dimming from 100 mA to 5 mA at 1.25 kHz.



## OUTPUT CURRENT SETTINGS (DALI-2)

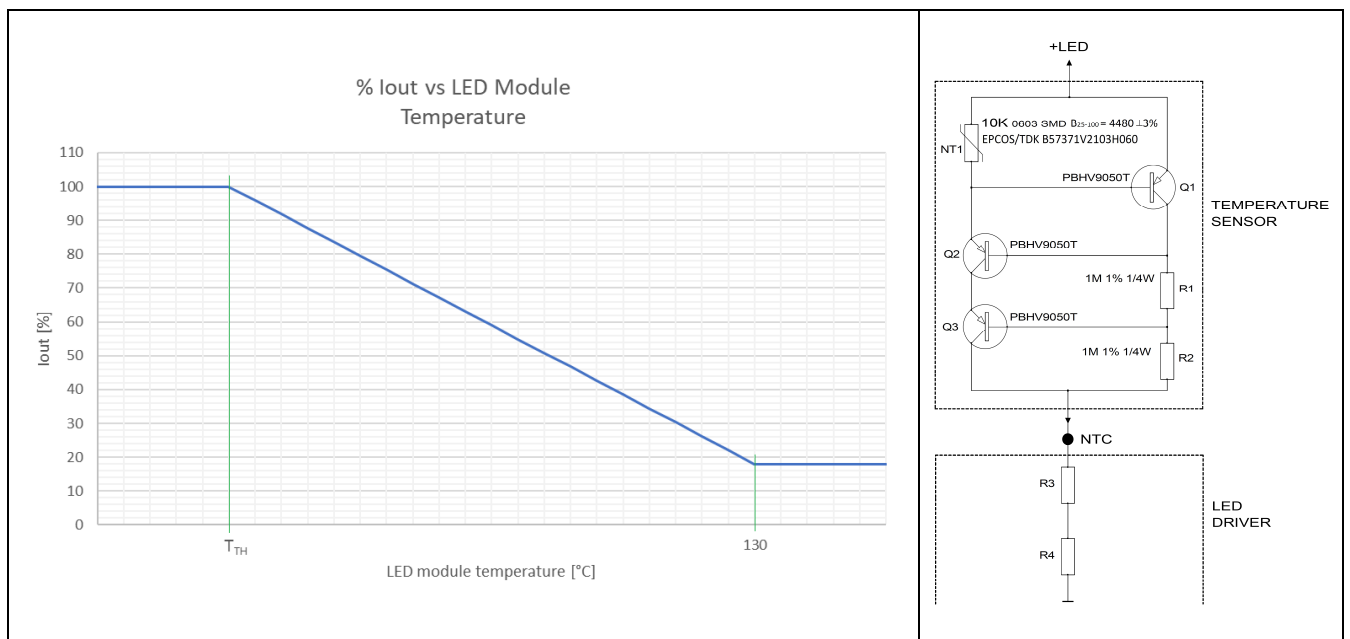
The output current index set by the factory is stored at address 0x03 of DALI memory bank2. This location can be read and written as stated by the IEC62386-102:2014.

ENGINEERING CODE	ORDERING CODE	OUTPUT CURRENT	INDEX
		700	1
		850	2
		1050	3
RHPS555AK-A	DLD1000-H120-DA	<b>1200 (*)</b>	4
		1400	5

(\*) factory default

## NTC DIMMING

The External LED module temperature can be read and controlled connecting the following circuit using an NTC thermistor to the LED driver.



The thermal measurement is performed connecting NTC circuit from the pin LED+ and the NTC pin.

The NTC circuit has to be placed on the LED assembly to monitor its temperature. When the temperature exceeds a predetermined threshold value ( $T_{TH}$ ), the output current provided to the module will automatically and gradually decrease to bring the temperature of the LED assembly back to safe value.

The NTC signal does access and is read by one single channel, which however replicates the same thermal protection dimming value identified to the other LED output channel.

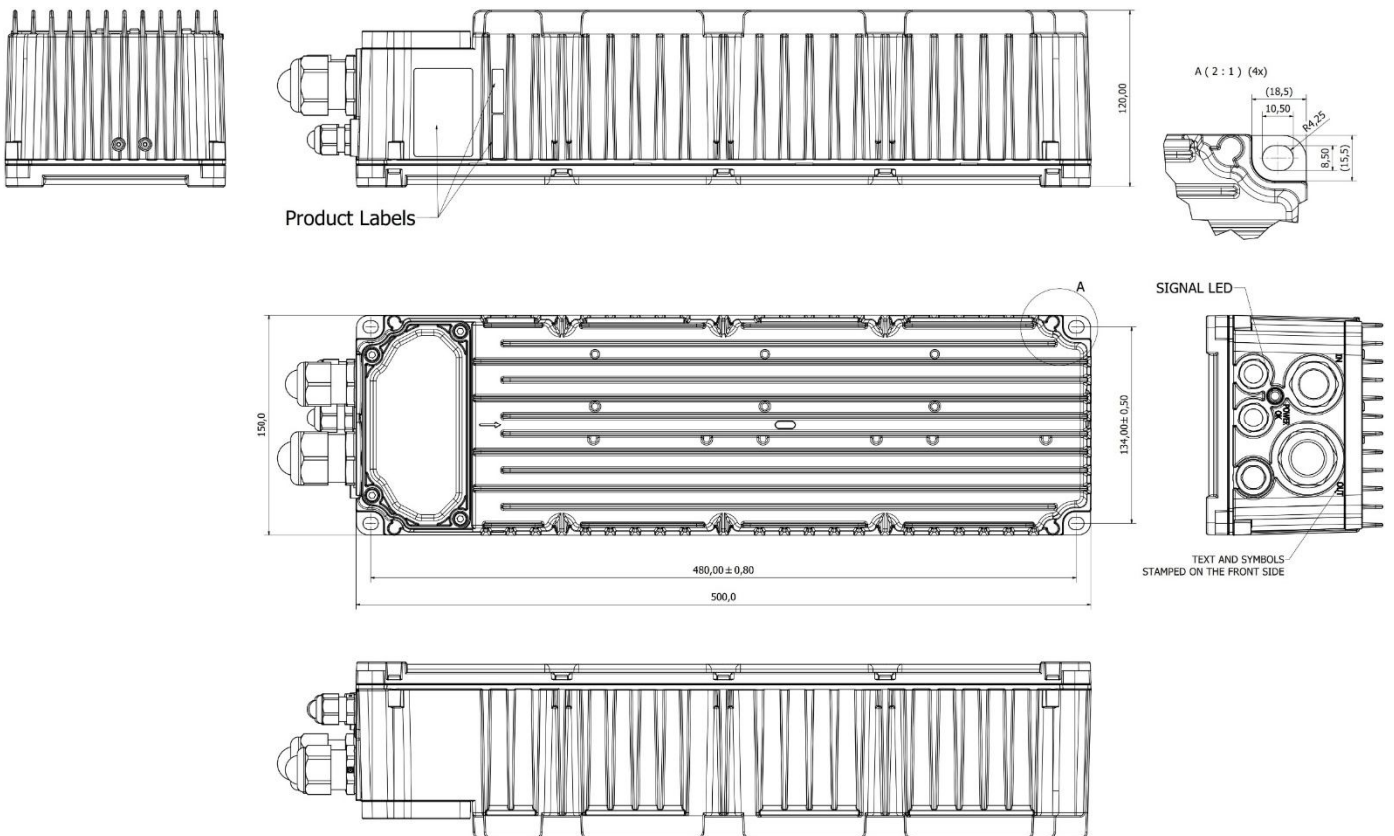
The driver has been factory set considering a 110°C NTC. It can be used others NTC ratings (90 ÷ 110°C) upon LED driver setting (see User Manual for instruction).

*NOTE: The temperature measurement accuracy depends on the load condition.*

## MECHANICAL DETAILS

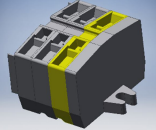
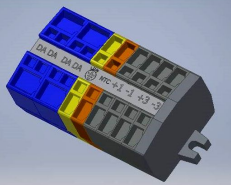
<b>Box:</b>	Die cast EN AC-43400 or EN AC-44300 Aluminium alloy
<b>Finishing:</b>	Powder coating, colour grey anthracite RAL 7016
<b>I/O Connections:</b>	Push-in connectors Input Connections: L1, L2, PE Control Connections: DA, DA double connection for DALI line for re-launch Output connections (LED+, LED-) x 2 channels + PE lum + NTC
<b>Signal LED</b>	Shows the LED driver state
<b>Ingress Protection:</b>	IP66
<b>IK Code:</b>	IK08
<b>Dimensions:</b>	500 x 150 x 120 mm (19.68 x 5.90 x 4.72 in)
<b>Mass:</b>	5.40 kg (11.90 lbs)
<b>Packaging:</b>	carton box 590 x 195 x H160 mm (23.22 x 7.67 x 6.29 in)

## OUTLINED DRAWINGS



## ELECTRICAL CONNECTION

All connections to and from the DLD1000 LED driver are made by means of mini feed-through terminal block.

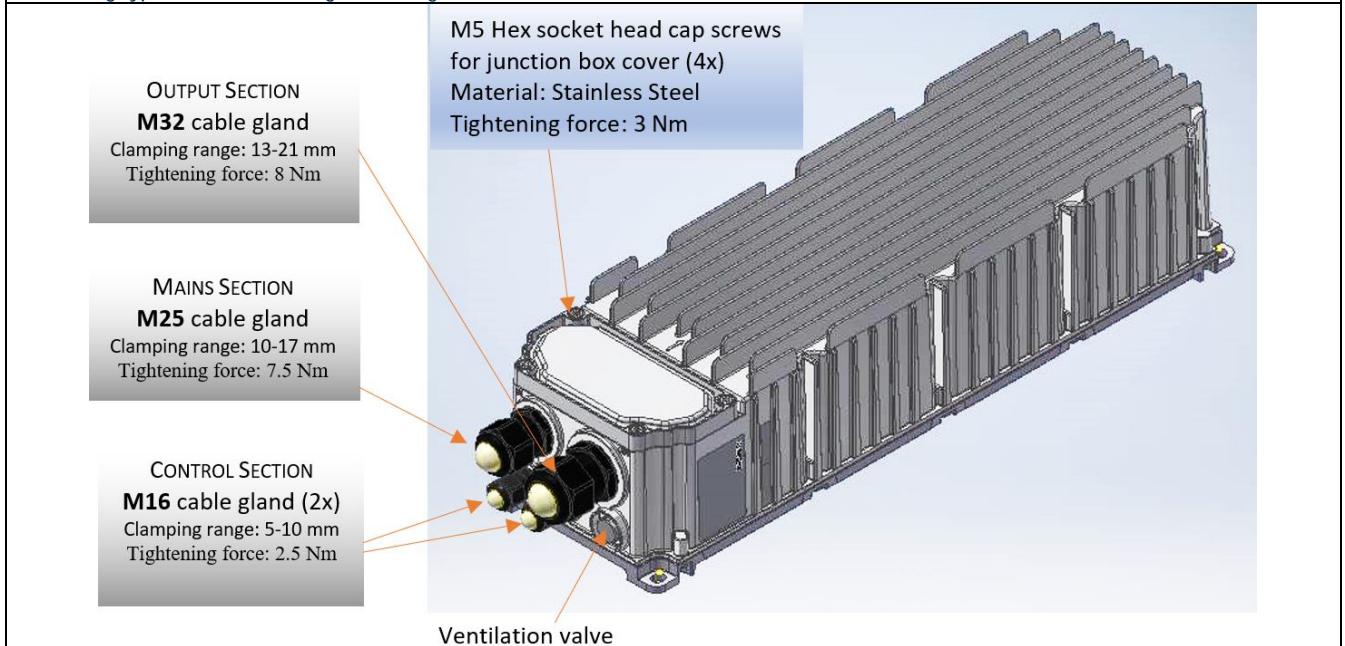
	<p><b>Mains Section (AC Side)</b> Three input terminal blocks, for AC input L1, L2 and PE connections (M25 Cable Gland). Total number of mains connection is composed of 3 positions.</p>
	<p><b>Control Section (DALI/DALI Rel.)</b> DALI_in, DALI_in, (M16 Cable Gland); DALI_rel, DALI_rel (M16 Cable Gland). Total number of Control connections is composed of 4 positions.</p>
	<p><b>Output connection:</b> PE lum, NTC, LED+1, LED-1, LED+3, LED-3 (M32 Cable Gland) Total number of Output connections is composed of 6 positions.</p>

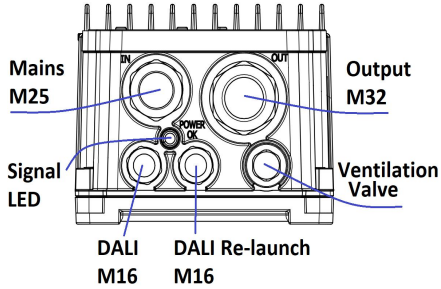
**Connection method:**

Spring-cage connection, number of connections: 13, cross section: 0.8 - 4 mm<sup>2</sup>, AWG: 18-12.

(1.5-4 mm<sup>2</sup>, AWG: 15-12 for AC input, PE and +/- LEDs)

Mounting type: Direct mounting with flange



Connection	Torque [Nm]	Ø Min [mm]	Ø Max [mm]	Connector AWG	Section (*) [mm <sup>2</sup> ]	Front View
Mains Cable M25	7.5	10	17	15-12	1.5 – 2.5	
DALI Cable M16	2.5	5	10	18-12	0.8 – 2.5	
Output Cable M32	8	13	21	15-12	1.5 – 2.5	

(\*) up to 2.5 mm<sup>2</sup> for stranded conductor, up to 4 mm<sup>2</sup> for rigid conductor

## WIRING CONNECTION

			PINOUT		
			NUMBER	LABEL	DESCRIPTION
	1	L1	AC LINE 1 INPUT		
	2	L2	AC LINE 2 INPUT		
	3		PROTECTIVE EARTH		
	4	DA	DALI INPUT +		
	5	DA	DALI-RELAUNCH +		
	6	DA	DALI INPUT -		
	7	DA	DALI-RELAUNCH -		
	8		PROTECTIVE EARTH FOR LED MODULE		
	9	NTC	THERMAL MEASURE INPUT		
	10	+1	LED1+ CONNECTION		
	11	-1	LED1- CONNECTION		
	12	+3	LED3+ CONNECTION		
	13	-3	LED3- CONNECTION		

## SIGNALLING LED INDICATIONS

Period	Pulses	Fault description	Priority <sup>(3)</sup>
The encoded faults are based on pulses emitted every 4 seconds	1	One or more active CCR <sup>(1)</sup> module is not working	
	5	Firmware version of one or more CCR <sup>(1)</sup> module is not compatible with main control board firmware	
	2	One or more active <sup>(2)</sup> output is short-circuited	
	3	One or more active <sup>(2)</sup> output is disconnected from load	
	4	Thermal derating active (output current reduction)	MINIMUM

<sup>(1)</sup> CCR module stands for Constant Current Regulator module (is the hardware device that controls output current for a single output)

<sup>(2)</sup> "active" means enabled by product configuration

<sup>(3)</sup> if more than one error is present at the same time, only the one with higher priority will be shown by the signalling LED



**INSTALLATION NOTICE**

T <sub>c</sub> Reference at Max Ambient Temperature		
HORIZONTAL		VERTICAL
230 V <sub>AC</sub>	80	81
400 V <sub>AC</sub>	62	63
MAX AMBIENT TEMPERATURE	45 °C	45 °C

**ENVIRONMENTAL SPECIFICATIONS**

Specification	Test Conditions / Notes	Min	Nom	Max	Units
Top Case Temperature Range	Top case temperature without derating, please see Installation notice.	-40	-	81	°C
Ambient Temperature Range		-40	-	45	°C
Storage Temperature	Relative Humidity 95% non-condensing	-40	-	85	°C
Cooling	Convection cooled				
Shock EN 60068-2-27	Operating: Half sine 30 g/18 ms, 3 axes, 6x each (3 positive and 3 negative) Non-Operating: Half sine, 50 g/11 ms, 3 axes, 6x each (3 positive and 3 negative)				
Vibration EN 60068-2-64	Operating: 5-500 Hz, 1g <sub>RMS</sub> (0.02 g <sup>2</sup> /Hz), 3 axes, 30 min, random Non-Operating: 5-500 Hz, 2.46 g <sub>RMS</sub> (0.0122 g <sup>2</sup> /Hz), 3 axes, 30 min, random				
Vibration EN 60068-2-6	Operating Sine, 10-500 Hz, 1 g, 3 axes, sweep 1 Oct/min., 60 min, 1 g - survival				
MTBF	Telcordia SR-332 Issue 2 (40 °C ambient, max load, duty 50%)	-	1.250.000	-	hours
Useful Life	At max load, 45 °C ambient, any nominal input voltage	90.000	130.000	-	hours






**ELECTROMAGNETIC COMPATIBILITY (EMC) – EMISSIONS**

Phenomenon	Conditions / Notes	Standard	Performance Class
Conducted Emission	Test at 230/400 V <sub>AC</sub>	EN55015	
Radiated Emission	Test at 230/400 V <sub>AC</sub>	EN55015	
Conducted Emission	Test at 230/400 V <sub>AC</sub>	EN55032	Class B
Conducted and Radiated Emission	Test at 230/400 V <sub>AC</sub>	FCC CFR47- part 15/subpart B	Class B
Harmonic Current Emissions		EN61000-3-2	Class C (Load>25%)
Voltage Changes, Fluctuation and Flicker		EN61000-3-3	

## ELECTROMAGNETIC COMPATIBILITY (EMC) – IMMUNITY

Phenomenon	Conditions / Notes	Standard	Note
Equipment for general lighting purposes -EMC Immunity Req.		EN 61547	
ESD (Electrostatic Discharge)		EN 61000-4-2	
Radiated Radio-Frequency electromagnetic field		EN 61000-4-3	
Electric Fast Transient / Burst		EN 61000-4-4	
Surge	Level $\pm 10$ kV L-L; $\pm 10$ kV L/L-PE	EN 61000-4-5	
Conducted disturbances induced by Radio-Frequency fields		EN 61000-4-6	
Voltage Dips, short interruptions and Voltage Variations		EN 61000-4-11	
Non-repetitive damped oscillatory transient, Ring wave	2.5 kV	ANSI C.62.41	Category A

## SAFETY AGENCIES APPROVALS

	IEC/EN 61347-2-13 electronic control gear for LED Module and IEC/EN 61347-1 IEC/EN 62384 DC or AC supplied electronic control gear for LED modules – Performance Requirements	<b>MARK</b>
	CE Declaration of Conformity	<b>MARK</b>
	UL Compliant ANSI / UL8750, CSA C22.2 No.250. LED Driver suitable for dry and damp location	<b>MARK</b>
	CB report	<b>REPORT</b>
	The control gear is tested according to Annex J of IEC/EN 61347-2-13. It is intended for use in AC supply mode for the connection to a centralized emergency supply. The product does not contain any battery. Do not connect it to a DC supply. The rated emergency supply voltage is 220-240 V. The centralized supply system must be able to supply this voltage in order that the control gear be made available the outputs to the LED loads. The Emergency Output Factor is $EOF_x = 1$ , at the specified ambient temperature, for which the output current does not differ from the set current more than $-/+ 15\%$ .	<b>MARK</b>

The DLD1000 is be compliant with Chinese, Australian and New Zealand safety standards, not certified, the mark will be eventually applied by the customer.

Specifications appearing in ENEDO's catalogues and brochures as well as any oral statements are not binding. All descriptions, drawings and other particulars (including dimensions, materials and performance data) given by ENEDO are as accurate as possible but, being given for general information, and are not binding on ENEDO. ENEDO makes thus no representation or warranty as to the accuracy of such material. We assume no liability other than as agreed in the terms of the individual contracts and we reserve the right to make technical modifications in the course of our product development. Our product information solely describes our goods and services and is in no way to be construed or interpreted as a quality or condition guarantee. The aforesaid shall not relieve the customer of its obligation to verify the suitability of our Products for the use or application intended by the purchaser. Customers are responsible for their products and applications. ENEDO assumes no liability from the use of its products outside of specifications. No license is granted to any intellectual property rights by this document.