



FDP

COMMERCIAL DISHWASHER CENTRIFUGAL PUMP



AMERICAN STAINLESS PUMPS, INC.
Stainless Steel Pumps for the Commercial Marketplace

The pump model FDP is the most compact stainless pump in our arsenal. This first of its kind pump design offers higher efficiency than similar dishwasher pumps and is designed to fit in tight-spaced kitchens. The FDP is easily serviceable and can be removed quickly with our quick disconnect connector and keyhole casing.



Characteristics

The FDP is a single stage, centerline discharge, open impeller centrifugal pump. The pump is manufactured from 304 Stainless Steel and close coupled to our compact IP44 protected electric motor. The FDP relies upon a high quality mechanical seal to prevent leakage around the motor shaft, and an o-ring to seal the casing to the sealplate. Seal and o-ring materials are available to suit most applications. A 1/8" NPT drain is plugged at the bottom of the casing. A number of mounting configurations are available for ease of installation.

Advantages

The FDP was designed to provide users the benefits of stainless steel at the price of a plastic or cast iron pump. Our suction and discharge nozzles are cast and machined from thick 304 stainless steel. The keyhole design allows for the pump to be removed without removing the pump casing from the system, which is ideal for threaded connections. The motor is powder coated and carries IP44 protection to help prevent corrosion from humid conditions.

Specifications

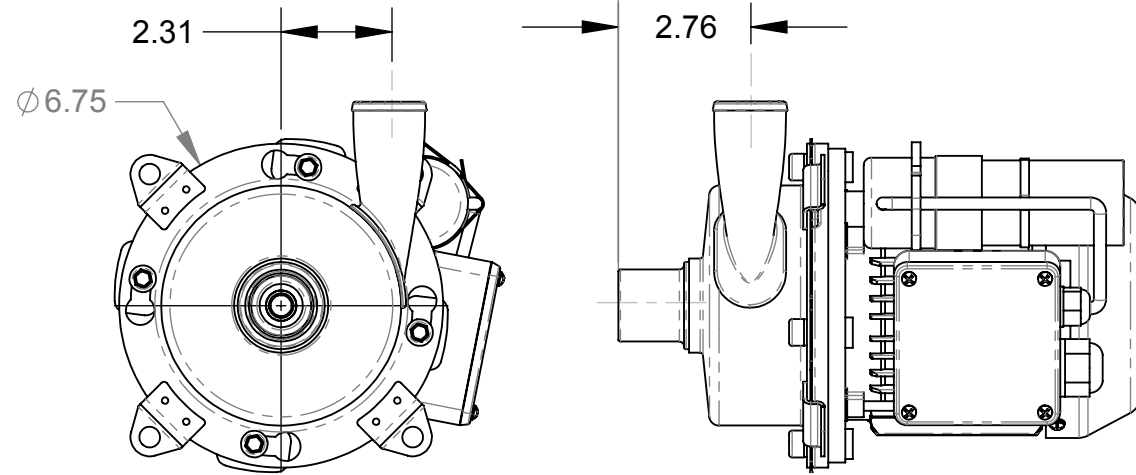
- Flows to 65 gal/min and Heads up to 25psi.
- Pressure capabilities up to 50 psig.
- Temperatures to 225°F.
- Multiple Casing Configurations
 - Hose Barbs
 - 1.25" x 1.0" NPT threaded connections
- 1.0 horsepower motor. Capable of both 60 and 50-Hz operation
- Standard mechanical seal faces are Carbon/Ceramic/Buna

Optionally Available

- Seal material upgrades
- Mounting bases
- Custom Features! Contact factory for support.



THE INFORMATION CONTAINED IN THIS DRAWING IS THE SOLE PROPERTY OF AMERICAN STAINLESS PUMPS. ANY REPRODUCTION IN PART OR WHOLE WITHOUT THE WRITTEN PERMISSION OF AMERICAN STAINLESS PUMPS IS PROHIBITED.

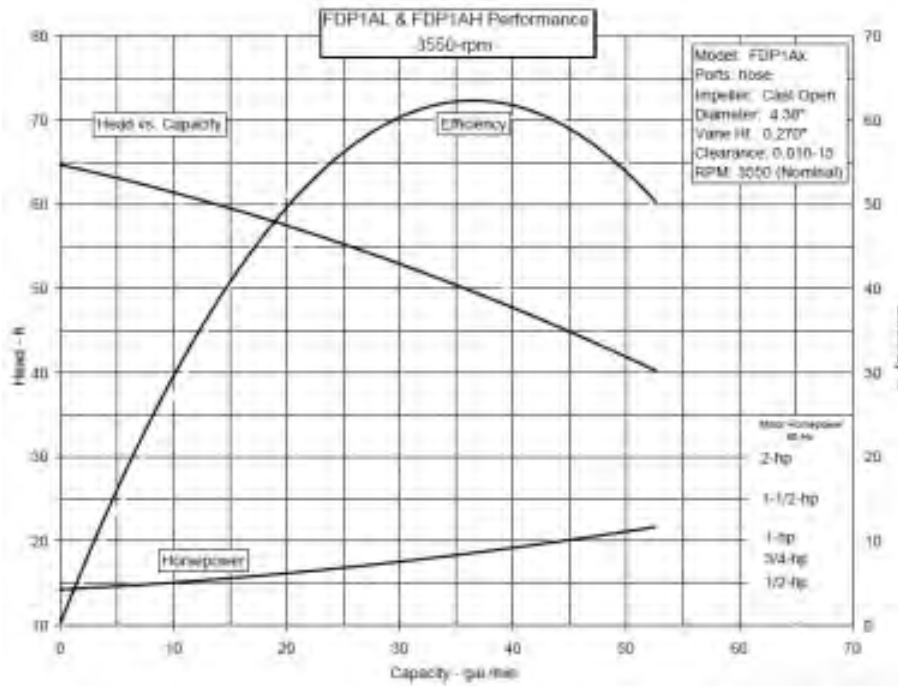


AMERICAN STAINLESS PUMPS
ASP
 Cat: **FDP1AL**
 PEI, NA Imp Dia: **4.38**
 Model: **FDP** SN: **20H217043**
 HP/RPM: **1/3500** Size: **hose**
 ← Rotation → www.aspumps.com

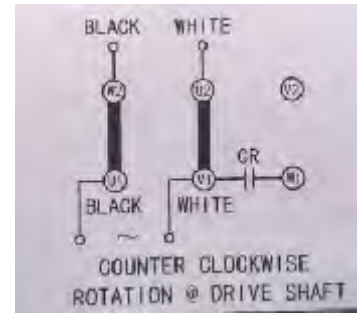
IEC 60034-1
SINGLE PHASE MOTOR

MODEL	GA2763		DATE
AUTO THERMALLY PROTECTED	MEJ36RX	PHASE 1	MTG. 71/56J
IC CODE	IC411	INS. CL. F	DUTY CONT
			MAX. AMB. 40 °C.
			WGT. 15.9 lbs. 7.2kg.

115V		60 Hz		230V		60 Hz	
H. P.	1.0	KW	0.75	H. P.	1.0	KW	0.75
R. P. M.	3420	FLA	9.6	R. P. M.	3420	FLA	4.8
S. F.	1.15	SFA	10.8	S. F.	1.15	SFA	5.4
EFF%	74.1	P. F.	0.99	EFF%	74.1	P. F.	0.99



MOTOR WIRING DIAGRAM



MATERIAL:
 MANUFACTURING PROCESS:

CAD GENERATED DRAWING NOT FOR CONSTRUCTION UNLESS INDICATED. DO NOT SCALE DRAWING.
ASP AMERICAN STAINLESS PUMPS
 LOS ANGELES, CALIFORNIA

PART NO. SHEET NAME:
Dimension Performance Nameplate Data

DRAWN BY: MWC FILE NAME: **FDP1Ax Spec Sheet**
 CHECKED BY: MFB
 RELEASED BY: BOTH
 SHEET: A SCALE: 1:8 PATH:
 REV. **0** DATE **7/29/20**
 SHEET 1 OF 1

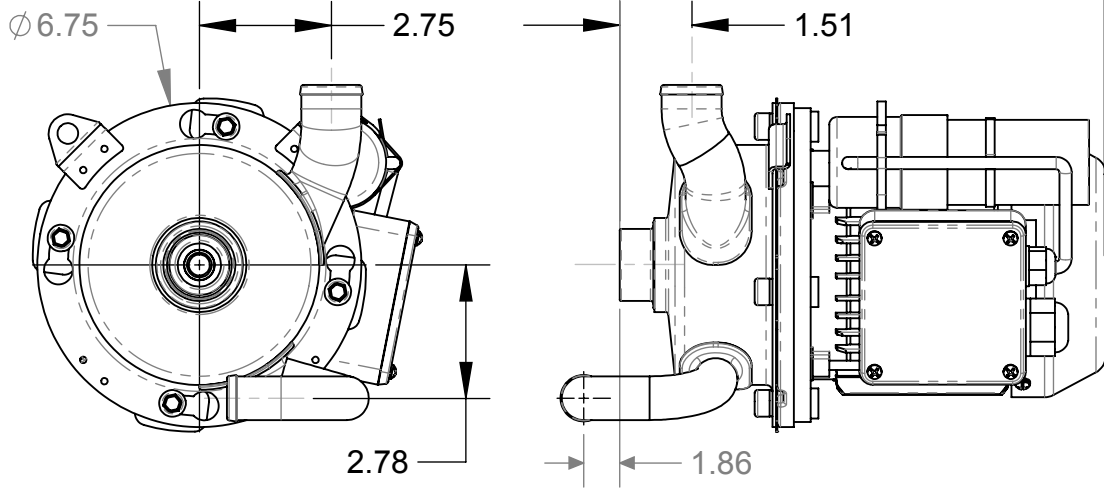
WHEN NOT NOTED OTHERWISE
 ALL DIMENSIONS IN INCHES.
 REMOVE ALL BURRS.
 RADIAL & DIAMETRICAL DIMENSIONS ARE TO BE HELD TO A ±.002
 SYMMETRICAL TOLERANCE, AND ARE CONCENTRIC WITH PART CENTERLINES.
 CHAMFER MACHINED EDGES 0.03.
 FILLET CORNERS 0.06
 MACHINED FACES SURFACE FINISH 63.
 QUESTIONS? CALL 310-630-8089.
 EMAIL: MCOOL@ASPUMPS.COM

TOLERANCES UNLESS OTHERWISE INDICATED

FRACTIONS	DECIMAL	ANGULAR
1/X ± 1/32	.X ± 0.015	X ± .5°
1/XX ± 1/64	.XX ± 0.01	.X ± .1°
	.XXX ± 0.005	.XX ± .02°
	.XXXX ± 0.001	

REV.	REVISION DESCRIPTION	DATE
0	ORIGINAL DOCUMENT	

THE INFORMATION CONTAINED IN THIS DRAWING IS THE SOLE PROPERTY OF AMERICAN STAINLESS PUMPS ANY REPRODUCTION IN PART OR WHOLE WITHOUT THE WRITTEN PERMISSION OF AMERICAN STAINLESS PUMPS IS PROHIBITED.



AMERICAN STAINLESS PUMPS

ASP

Cat: FDP2AH
 PEI, NA Imp Dia: 4.38
 Model: FDP SN: 20H217045
 HP/RPM: 1/3500 Size: hose

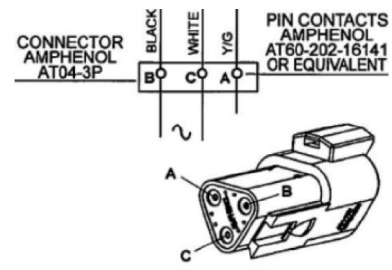
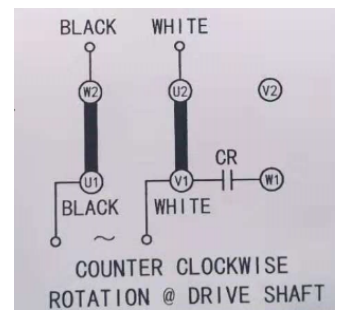
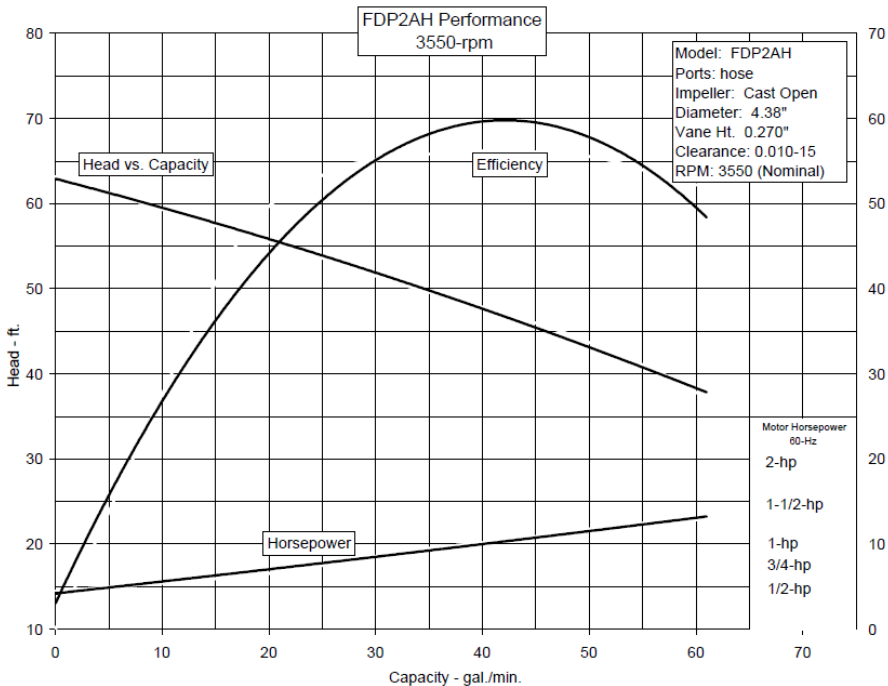
← Rotation → www.aspumps.com

IEC 60034-1

SINGLE PHASE MOTOR

MODEL	GA2763	DATE
AUTO THERMALLY PROTECTED	MEJ36RX	PHASE
IC CODE	IC411	INS. CL.
	1	F
	MTG.	71/56J
	DUTY	CONT
	MAX. AMB.	40 °C.
	WGT.	15.9 lbs. 7.2kg.

115V		60 Hz		230V		60 Hz	
H. P.	1.0	KW	0.75	H. P.	1.0	KW	0.75
R. P. M.	3420	FLA	9.6	R. P. M.	3420	FLA	4.8
S. F.	1.15	SFA	10.8	S. F.	1.15	SFA	5.4
EFF%	74.1	P. F.	0.99	EFF%	74.1	P. F.	0.99



MATERIAL:
 MANUFACTURING PROCESS:

ASP AMERICAN STAINLESS PUMPS
LOS ANGELES, CALIFORNIA

SHEET NAME:
Dimension Performance Nameplate Data

PART NO. _____ FILE NAME: **FDP2AH Spec Sheet**

DRAWN BY: MWC CHECKED BY: MFB RELEASED BY: BOTH SHEET: A SCALE: 1:8 PATH: _____

REV. **0** DATE **7/29/20**
SHEET 1 OF 1

WHEN NOT NOTED OTHERWISE

ALL DIMENSIONS IN INCHES.
 REMOVE ALL BURRS.
 RADIAL & DIAMETRICAL DIMENSIONS ARE TO BE HELD TO A ±.002
 SYMMETRICAL TOLERANCE, AND ARE CONCENTRIC WITH PART CENTERLINES.

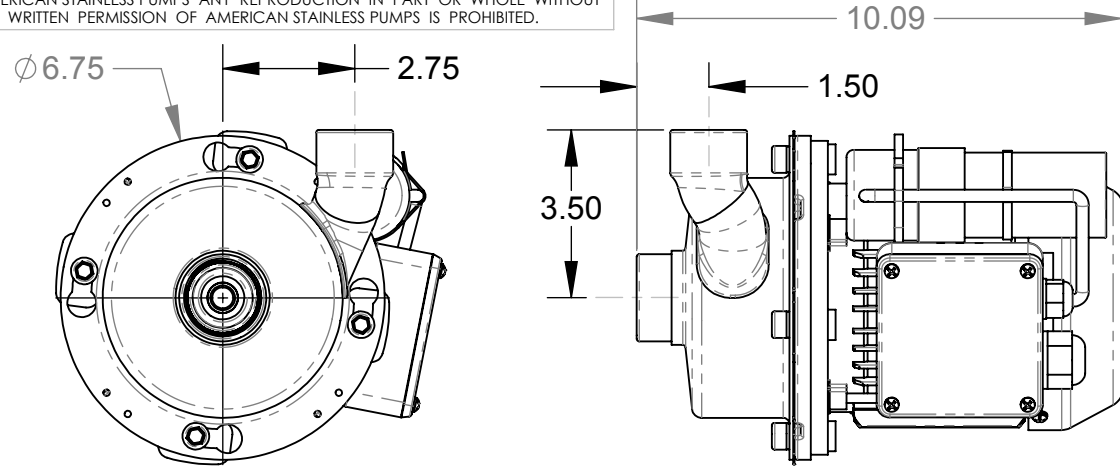
CHAMFER MACHINED EDGES 0.03.
 FILLET CORNERS 0.06
 MACHINED FACES SURFACE FINISH 63.
 QUESTIONS? CALL 310-630-8089.
 EMAIL: MCOOL@ASPUMPS.COM

TOLERANCES UNLESS OTHERWISE INDICATED

FRACTIONS	DECIMAL	ANGULAR
1/X ± 1/32	.X ± 0.015	X ± .5°
1/XX ± 1/64	.XX ± 0.01	.X ± .1°
	.XXX ± 0.005	.XX ± .02°
	.XXXX ± 0.001	

REV.	REVISION DESCRIPTION	DATE
0	ORIGINAL DOCUMENT	

THE INFORMATION CONTAINED IN THIS DRAWING IS THE SOLE PROPERTY OF AMERICAN STAINLESS PUMPS ANY REPRODUCTION IN PART OR WHOLE WITHOUT THE WRITTEN PERMISSION OF AMERICAN STAINLESS PUMPS IS PROHIBITED.



AMERICAN STAINLESS PUMPS

ASP

Cat: FDP3AH
 PEI_{NA} Imp Dia: 4.38
 Model: FDP SN: 20H217046
 HP/RPM: 1/3500 Size: 1.0" x 1.25"

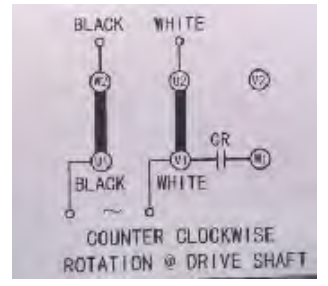
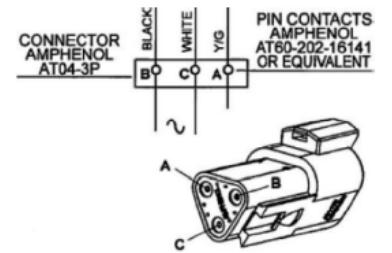
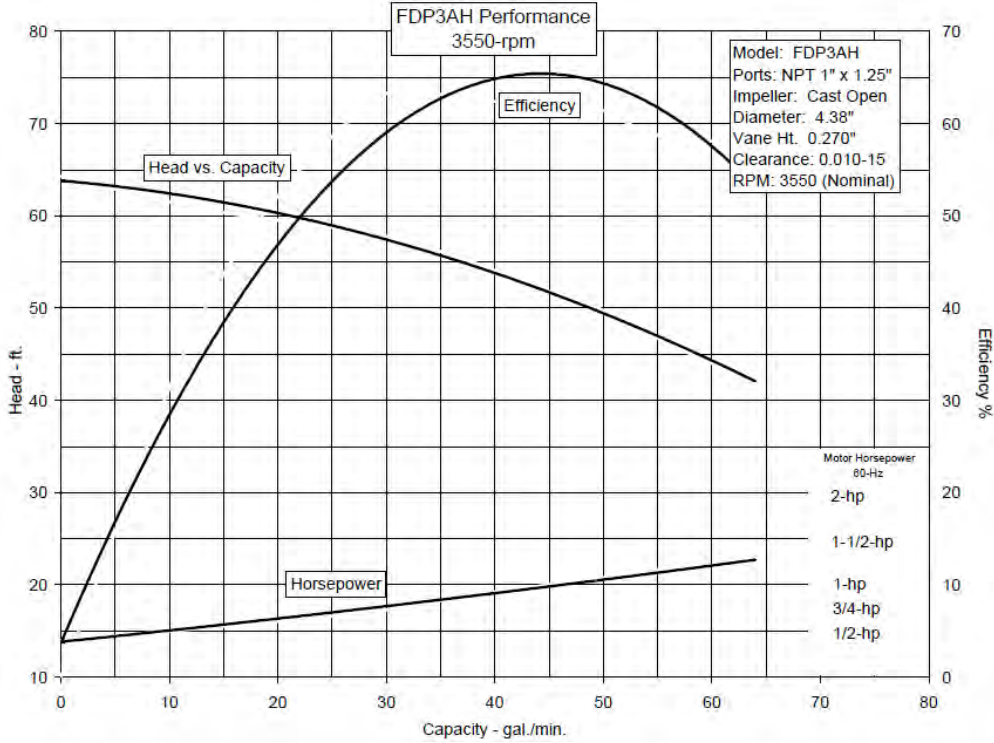
Rotation ← www.aspumps.com

IEC 60034-1

SINGLE PHASE MOTOR

MODEL	GA2763	DATE
AUTO THERMALLY PROTECTED	MEJ36RX	PHASE 1
IC CODE	IC411	INS. CL. F
	MTG. 71/56J	MAX. AMB. 40 °C.
	DUTY CONT	WGT. 15.9 lbs. 7.2kg.

115V		60 Hz		230V		60 Hz	
H.P.	1.0	KW	0.75	H.P.	1.0	KW	0.75
R.P.M.	3420	FLA	9.6	R.P.M.	3420	FLA	4.8
S.F.	1.15	SFA	10.8	S.F.	1.15	SFA	5.4
EFF%	74.1	P.F.	0.99	EFF%	74.1	P.F.	0.99



MATERIAL:
 MANUFACTURING PROCESS:

ASP AMERICAN STAINLESS PUMPS
 LOS ANGELES, CALIFORNIA

PART NO. SHEET NAME:
Dimension Performance Nameplate Data

DRAWN BY: MWC FILE NAME: FDP3AH Spec Sheet
 CHECKED BY: MFB
 RELEASED BY: BOTH SHEET: A SCALE: 1:8 PATH:

REV. 0 DATE 7/29/20
 SHEET 1 OF 1

WHEN NOT NOTED OTHERWISE

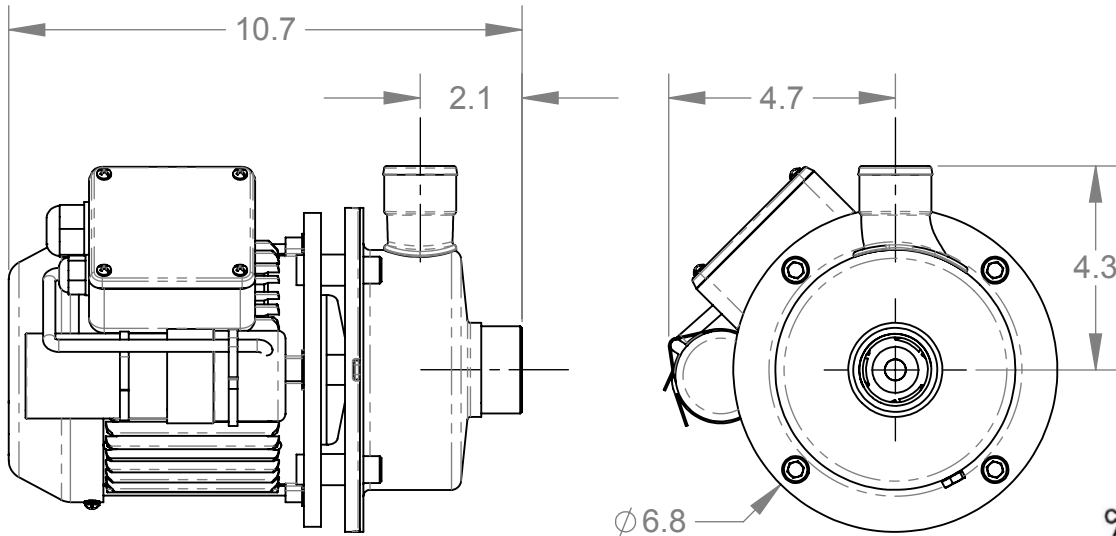
ALL DIMENSIONS IN INCHES.
 REMOVE ALL BURRS.
 RADIAL & DIAMETRICAL DIMENSIONS ARE TO BE HELD TO A ±.002
 SYMMETRICAL TOLERANCE, AND ARE CONCENTRIC WITH PART CENTERLINES.

CHAMFER MACHINED EDGES 0.03.
 FILLET CORNERS 0.06
 MACHINED FACES SURFACE FINISH 63.
 QUESTIONS? CALL 310-630-8089.
 EMAIL: MCOOL@ASPUMPS.COM

TOLERANCES UNLESS OTHERWISE INDICATED

FRACTIONS	DECIMAL	ANGULAR
1/X ± 1/32	.X ± 0.015	X ± .5°
1/XX ± 1/64	.XX ± 0.01	.X ± .1°
	.XXX ± 0.005	.XX ± .02°
	.XXXX ± 0.001	

REV.	REVISION DESCRIPTION	DATE
0	ORIGINAL DOCUMENT	



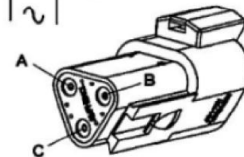
IEC 60034-1



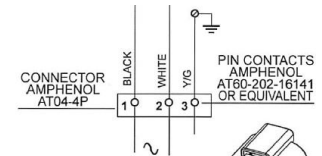
SINGLE PHASE MOTOR

MODEL	GA2763		DATE
AUTO THERMALLY PROTECTED	MEJ36RX	PHASE 1	MTG. 71/56J
IC CODE	IC411	INS. CL. F	DUTY CONT
		MAX. AMB. 40 °C.	WGT. 15.9 lbs. 7.2 kg.

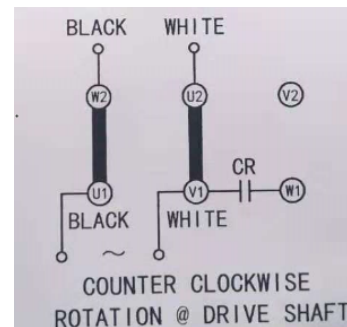
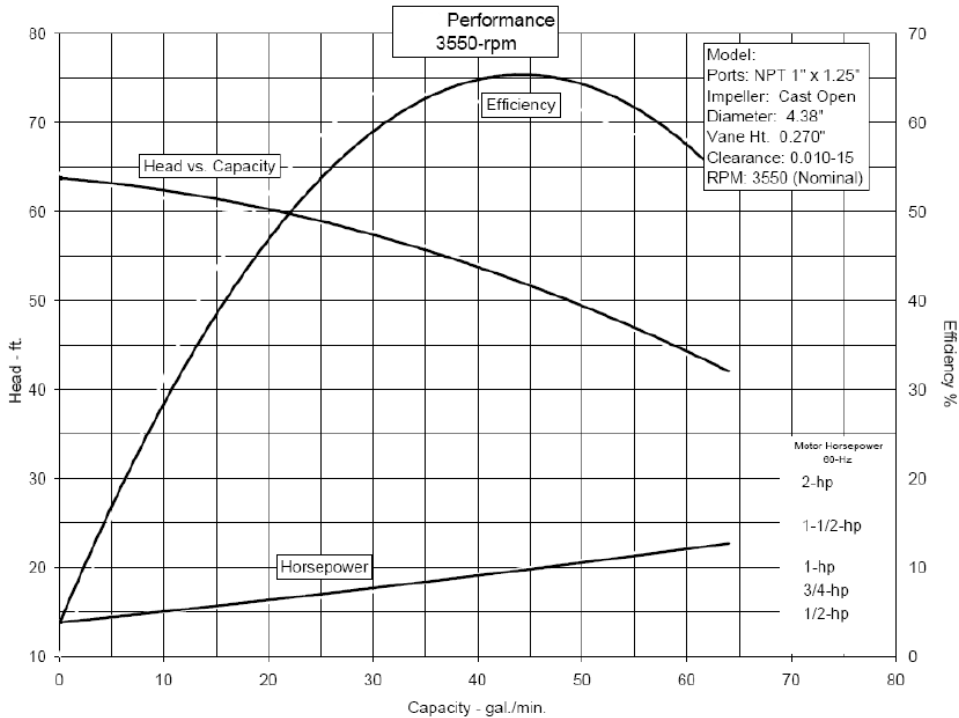
115V		60 Hz		230V		60 Hz	
H. P.	1.0	KW	0.75	H. P.	1.0	KW	0.75
R. P. M.	3420	FLA	9.6	R. P. M.	3420	FLA	4.8
S. F.	1.15	SFA	10.8	S. F.	1.15	SFA	5.4
EFF%	74.1	P. F.	0.99	EFF%	74.1	P. F.	0.99



230V connector option



115V connector option



motor wiring diagram

