



# Pressure Reducing Valve Manual & Electrically Actuated

The Hydro Instruments pressure reducing valve is used to reduce and control the gas pressure downstream of the valve. Should the downstream pressure exceed the pressure setting the pressure reducing valve will close, shutting off gas feed. Having the pressure reducing valve in the chemical feed line can prevent liquefaction downstream of the valve, protect equipment from excessive pressure and eliminate downstream pressure fluctuations.

## Manual Pressure Reducing Valves

Outlet pressure is fixed. Adjustment of the pressure outlet for manual units is accomplished by adjusting a threaded adjustment screw at the top of the PRV.

## Electrically Actuated Pressure Reducing Valves

Outlet pressure is fixed. However, electrically actuated units allow for remote closure in either loss of power or alarm conditions. Adjustment of the pressure outlet for electrically actuated units is accomplished by adjusting two locknuts on the actuator ram-shaft.

## Specifications

### Manual & Electrically Actuated Pressure Reducing Valves

Max. Capacity: 16,000 PPD Cl<sub>2</sub> or 8,000 NH<sub>3</sub>

Max. Pressure: 600 PSI (41 bar)

Outlet Pressure: 15-45 (1-3 bar)

Operating Temp.: -15° F (-26° C) to 150° F (65° C)

Connections: 3/4" FPT or 1" FPT inlet/outlet  
1/4" FPT for vent

Mounting: Inline or wall mounted with bracket

External Heater  
Power: 120VAC or 240VAC, 25W

### Electrically Actuated Pressure Reducing Valves

Actuator Power: 120VAC or 240VAC

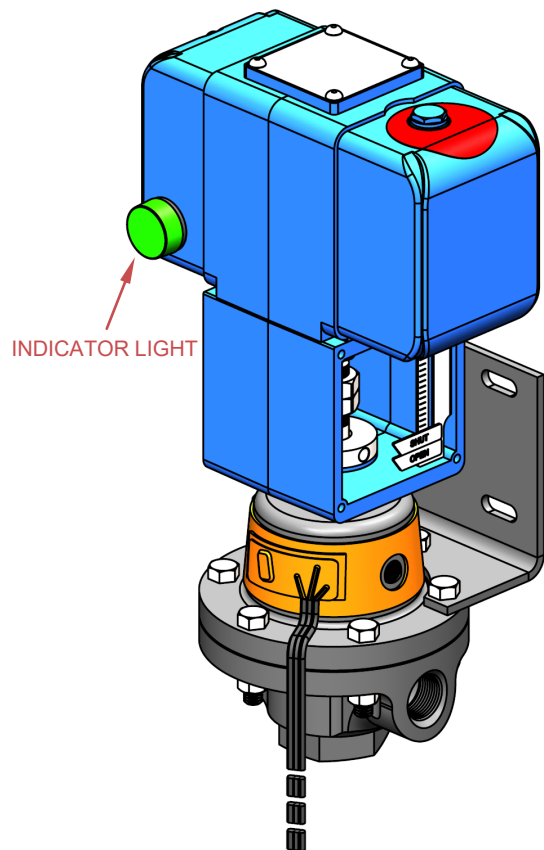
Relay: SPDT, 22 Amps

## Materials of Construction & Design

- Machined carbon steel bodies (Nickle plated)
- Halar (ECTFE) double diaphragm
- Teflon (PTFE) trim valve seat
- Kynar (PVDF) trim valve stem
- Actuator—Aluminum mounting frame and enclosure

The pressure reducing valve has been designed with an easily removable trim capsule assembly for easy maintenance and change of capacity. An external heater is included to help avoid external condensation and resultant external corrosion in humid climates. A 1/4" FPT vent connection is provided on both units in the event of diaphragm failure.

Electrically actuated units have a green LED indicator light that shows if the unit is powered. Upon loss of power or alarm, electrically actuated pressure reducing valves will automatically close within 5.5 seconds.



Electrically Actuated Pressure Reducing Valve  
with Wall Mounting Bracket



## Ordering Information

Model No.		PRV-71H- <input type="checkbox"/> - <input type="checkbox"/> - <input type="checkbox"/> - <input type="checkbox"/> - <input type="checkbox"/> - <input type="checkbox"/>
Position	Feature	Description
A. Gas Type	CL2	Chlorine (Cl <sub>2</sub> )
	NH3	Ammonia (NH <sub>3</sub> )
	SO2	Sulfur Dioxide (SO <sub>2</sub> )
B. Capacity	2	8,000 PPD Chlorine or Sulfur Dioxide (4,000 PPD Ammonia.)
	3	12,000 PPD Chlorine or Sulfur Dioxide (6,000 PPD Ammonia.)
	4	16,000 PPD Chlorine or Sulfur Dioxide (8,000 PPD Ammonia.)
C. Operation	0	Manually operated
	1	Electrically actuated (120 VAC 50/60 Hz w/ Green LED indicator light.)
	2	Electrically actuated (240 VAC 50/60 Hz w/ Green LED indicator light.)
D. Wall Mounting Bracket	0	None
	1	Included
E. Connection Size	1	3/4" NPT inlet/outlet
	2	1" NPT inlet/outlet
F. External Heater Power	1	120 VAC 50/60 Hz, 25 W
	2	240 VAC 50/60 Hz, 25 W

