

# LS60

## BATCH LIQUID SAMPLING



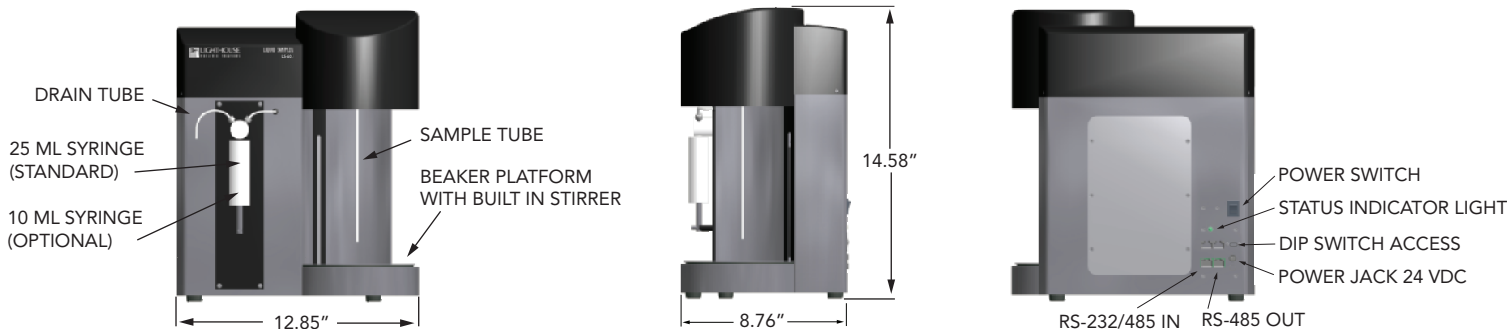
**T**HE LS60 Liquid Sampler is an integrated syringe sampler and optical particle counting system with an easy-to-use Windows™ based software interface.

With a sample flow rate of 60 ml/min, the LS60 provides unprecedented measurement speed and accuracy. Using a high accuracy syringe pump flow control system and high volume sensor; it is the perfect tool for multiple batch sampling applications.

The LS60 is easy to configure and operate. Data is automatically recorded and easily available in real-time graph and tabular form. Reports can be preconfigured and printed at the touch of a key.

### F E A T U R E S

- 0.1  $\mu\text{m}$  to 100  $\mu\text{m}$  size range
- Integrated particle counter
- 8 channel sizes
- Windows™ based control software
- Sample volumes 1mL to 1 liter
- Syringe size options: 10 and 25mL
- Precise syringe pump flow control
- RS-485 MODBUS communication
- Stainless steel enclosure
- Built-in magnetic stirrer
- Compact footprint
- 2 year warranty



## TECHNICAL DATASHEET

### LS60 Batch Liquid Sampling Particle Counter

#### Features

<b>Size Range</b>	0.1 - 0.5 $\mu\text{m}$ ; 0.2 - 2.0 $\mu\text{m}$ ; 0.3 - 3.0 $\mu\text{m}$ ; 0.5 - 100.0 $\mu\text{m}$
<b>Channel Sizes</b>	0.1, 0.15, 0.2, 0.25, 0.3, 0.35, 0.4, 0.5 $\mu\text{m}$ 0.2, 0.3, 0.4, 0.5, 0.7, 1.0, 1.3, 2.0 $\mu\text{m}$ 0.3, 0.5, 0.7, 1.0, 1.3, 2.0, 2.5, 3.0 $\mu\text{m}$ 0.5, 1.0, 2.0, 5.0, 10.0, 25.0, 50.0, 100.0 $\mu\text{m}$
<b>Number of Channels</b>	8
<b>Flow Rate</b>	60 ml/min
<b>Laser Source</b>	Laser diode
<b>Calibration</b>	NIST traceable
<b>Syringe Sizes</b>	10 ml, 25 ml
<b>Maximum Sample</b>	1 liter
<b>Communication Mode</b>	RS-485 MODBUS
<b>Wetted Components</b>	Teflon (PFA), Quartz, Kalrez, Kel F, Polypropylene
<b>Stirrer</b>	Magnetic with adjustable speed
<b>Connectors</b>	RJ-45
<b>Supporting Software</b>	LS-60 software
<b>Enclosure</b>	Stainless steel
<b>Power</b>	100-240 VAC, 24 VDC
<b>Dimensions</b>	12.85"(l) x 8.75"(w) x 14.58"(h) [32.64 x 22.23 x 37.03 cm]
<b>Weight</b>	20.5 lbs (9.3 kg)

#### Environmental Conditions:

Operating: 50°F to 104°F (10°C to 40°C) / 20% to 95% non-condensing

Storage: 14°F to 122°F (-10°C to 50°C) / up to 98% non-condensing

#### Included

Operating manual on CD; LS-60 software; power supply; flow cell cleaning solution and brush; cable; RJ-45 to DB9 adapter; sample tubing; nut and ferrule kit; 500 mL beaker; magnetic stir bar, and carrying case with wheels.

#### Optional

Printed operating manual; 10mL syringe; 5-piece beaker set (50, 100, 250, 600, 1000 ml beakers); certificate of origin.

#### Distributed By:



Lighthouse Worldwide Solutions reserves the right to change specifications without notice.