

Drive and stirring technology for

PHARMA | FOOD | COSMETICS | CHEMICALS | AUTOMATION



IP68 motor



- Radial piston motor
- Protection class IP68
- Housing aluminium anodised
- Four performance variants
- Various transmissions
(see data sheet
Performance data & transmission)
- Noise level < 75 dB
- Rotation speed 0-300 1/min reversible
- Oil and silicone-free
- Shaft seal PTFE
- Drive shaft and screws
made of V4A stainless steel 1.4404
- Compressed air supply 2-6 bar | 30-90 PSI

MOTOR TYPES

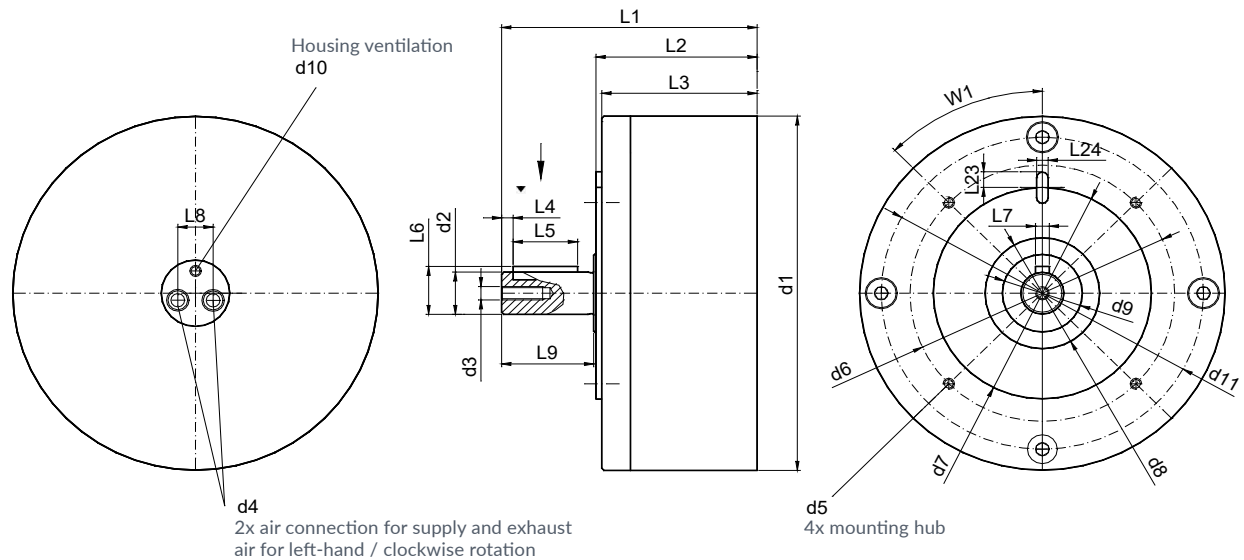
Performance variants	0450 IP68	0900 IP68	1800 IP68	3600 IP68
Art. No.	1014	1015	1016	1017
Starting torque	35 lbf in 4 Nm	70 lbf in 8 Nm	140 lbf in 16 Nm	280 lbf in 32 Nm
Max. axial load	45 lbf 200 N	45 lbf 200 N	70 lbf 300 N	70 lbf 300 N
Radial dyn. C	170 lbf 750 N	170 lbf 750 N	225 lbf 1000 N	225 lbf 1000 N
Radial stat. Co	90 lbf 400 N	90 lbf 400 N	135 lbf 600 N	135 lbf 600 N
Max. perm. tilt moment	45 lbf in 5 Nm	45 lbf in 5 Nm	90 lbf in 10 Nm	90 lbf in 10 Nm
Weight	0.5 lbs 1.1 kg	0.6 lbs 1.3 kg	1.55 lbs 3.4 kg	1.8 lbs 4 kg
Max. power (at 150 rpm)	0.08 HP 60 W	0.16 HP 120 W	0.22 HP 170 W	0.30 HP 230 W

DRIVE SHAFTS

Drive shaft for motor 450/900	Art. No.
Shaft Ø 0.55in 14mm smooth (with thread M4)	1205
Shaft Ø 0.75in 19mm smooth (with thread M4)	1301
Shaft Ø 0.94in 24mm smooth (with thread M4)	1302
Shaft Ø 0.55in 14mm with tongue and groove	1303
Shaft Ø 0.75in 19mm with tongue and groove	1304
Shaft Ø 0.94in 24mm with tongue and groove	1305
Threaded hub M12	1327
Special shaft max. Ø 1.18in 30mm (with bearing flange max. Ø 1.10in 28mm)	1306

Drive shaft for motor 1800/3600/7200	Art. No.
Shaft Ø 0.75in 19mm smooth (with thread M6)	1202
Shaft Ø 0.94in 24mm smooth (with thread M6)	1307
Shaft Ø 1.26 32mm smooth (with thread M6)	1308
Shaft Ø 0.75in 19mm with tongue and groove	1309
Shaft Ø 0.94in 24mm with tongue and groove	1310
Shaft Ø 1.26 32mm with tongue and groove	1311
Threaded hub M16	1328
Special shaft max. Ø 1.38 35mm (with bearing flange max. Ø 1.18in 30mm)	1312

WE GENERATE MOVEMENT IN SPECIAL ENVIRONMENTS.



	Motor 0450 IP68	Motor 0900 IP68	Motor 1800 IP68	Motor 3600 IP68
L1	3.07in 78mm	3.64in 92.5mm	4.37in 111mm	5.24in 133
L2	2.05in 52mm	2.62in 66.5mm	2.76in 70mm	3.62in 92
L3	1.99in 50.5mm	2.56in 65mm	2.66in 67.5mm	3.52in 89.5
L4	0.12in 3mm	0.12in 3mm	0.20in 5mm	0.20in 5mm
L5	0.71in 18mm	0.71in 18mm	1.10in 28mm	1.10in 28mm
L6	0.63in 16mm	0.63in 16mm	0.85in 21,5mm	0.85in 21,5mm
L7	0.20in 5mm N9	0.20in 5mm N9	0.24in 6 N9mm	0.24in 6 N9mm
L8	0.42in 10.6mm	0.42in 10.6mm	0.60in 15.3mm	0.60in 15.3mm
L9	0.98in 25mm	0.98in 25mm	1.57in 40mm	1.57in 40mm
L23	0.24in 6mm	0.24in 6mm	0.28in 7mm	0.28in 7mm
L24	0.16in 4mm N9	0.16in 4mm N9	0.2in 5mm N9	0.2in 5mm N9
d1 ø	3.90in 99mm	3.90in 99mm	6.26in 159mm	6.26in 159mm
d2 ø	0.55in 14mm h6	0.55in 14mm h6	0.75in 19mm h6	0.75in 19mm h6
d3 ø	M4x12mm	M4x12mm	M6x18mm	M6x18mm
d4 ø	M6x0.75x8mm	M6x0.75x8mm	R1/8x9mm	R1/8x9mm
d5 ø	M4x9mm	M4x9mm	M6x10mm	M6x10mm
d6 ø	2.64in 67mm	2.64in 67mm	4.53in 115mm	4.53in 115mm
d7 ø	2.17in 55mm h6	2.17in 55mm h6	3.74in 95mm h6	3.74in 95mm h6
d8 ø	1.57in 40mm	1.57in 40mm	1.97in 50mm	1.97in 50mm
d9 ø	28in 28mm	28in 28mm	1.38in 35mm	1.38in 35mm
d10 ø	M5x5mm	M5x5mm	M5x5mm	M5x5
d11 ø	3.43in 87mm	3.43in 87mm	5.51in 140mm	5.51in 140mm
W1	45°	45°	45°	45°

WE GENERATE MOVEMENT IN SPECIAL ENVIRONMENTS.