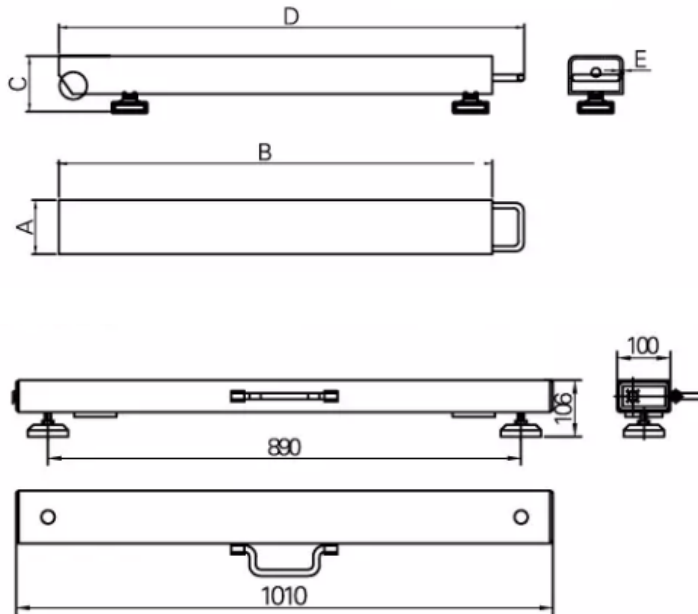




Main features:

- U-shaped steel structure with M12 fixed feet
- Accuracy class: III
- Resolution: n 3000
- Display: 6 digit 20mm LED or 25mm LCD with backlight
- Power supply: AC110/220V 50/60 Hz, built-in: DC4V/4Ah lead acid battery
- 4 alloy steel load cells
- Carbon steel surface is treated with shot blasting, anti corrosion
- Stainless steel surface is polished and wire drawn
- Platform scales suitable for all kinds weighing, especially suitable for animal weighing on the farm thanks to the fact that it is possible to adjust the distance between the two beams
- 85mm low profile height, convenient for weighing goods on pallet t
- Wheels is equipped for moving easily
- Handles for lifting easily
- Measures: 1000mmX1000mm; 1200mmX1200mm; 1500mmX1500mm

Dimensions in mm:



Capacity	A	B	C	D	E	Peso
1-3 t	100	1000	100	1060	6	36
1-3 t	100	1200	100	1260	6	41

Subject to change without notice