

UCL-520 — 2-Wire Transmitter for Midsize Tanks

- ▶ To 26-feet (8m) range with 2" transducer
- ▶ 2" NPT mounting
- ▶ Setup is fast and easy. Incorporates push button calibration and LCD display
- ▶ 6-segment LCD display indicates level in inch or centimeter values
- ▶ 7.6 cm minimum beam width for applications with restricted space
- ▶ Fail-safe intelligence with diagnostic feedback for easy troubleshooting

The UCL-520 is a general purpose two-wire ultrasonic transmitter providing non-contact level measurement up to 26.2' or 8m. It is ideally suited for challenging ultrapure, corrosive or waste liquids.

Push button calibrated, the UCL-520 is broadly selected for atmospheric bulk storage, day tank and waste sump applications. Media examples include wastewater and sodium hydroxide. The PC/ABS enclosure is rated NEMA 4X, and the transducer is housed in rugged PVDF.

Specifications

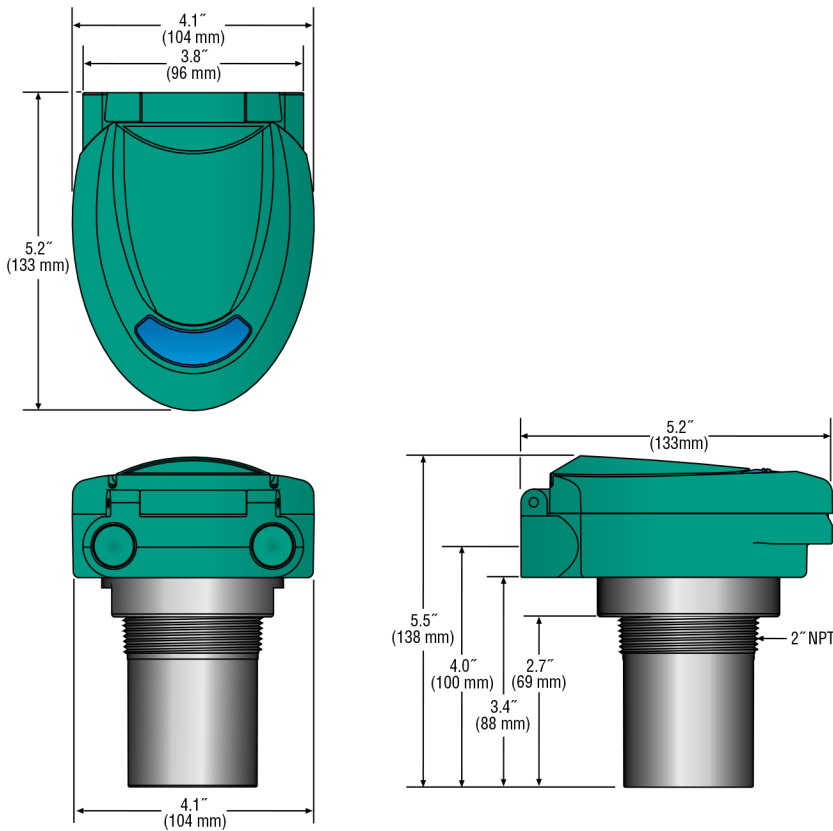
Range	6' to 26.2' (1.8 m to 8 m)
Accuracy	± 0.2% of span in air
Resolution	0.039" (1 mm)
Beam Width	3" (7.6 cm) dia.
Dead Band	8" (20 cm)
Display Type	LCD, 6-digit
Display Units	Inch, cm or percent
Display Mode	Air gap or liquid height
Memory	Non-volatile
Supply Voltage	12-28 VDC
Loop Resistance	500 Ohms @ 24 VDC
Signal Output	4-20 mA, two-wire
Signal Invert	4-20 mA or 20-4 mA
Calibration	Push button
Fail-Safety	Selectable 4 mA, 20 mA, 21 mA, 22 mA or hold
Process Temp.	-7°F to +140°F (-20°C to +71°C)
Temp. Comp.	Automatic
Electronics Temp.	-40°F to +160°F (-40°C to +71°C)
Pressure	30 PSI (2 bar) @ 25°C, derated @ 1.667 PSI (0.113 bar) per °C above 25°C
Enclosure Rating	NEMA 4X (IP65)
Enclosure Vent	Water tight membrane
Enclosure Material	PC/ABS FR
Trans. Material	PVDF
Process Mount	2" NPT (2" G)
Mount. Gasket	Viton®
Conduit Entrance	Dual, 1/2" NPT
Classification	General Purpose
CE Compliance	EN 61326 EMC



Typical Applications

- Water and Waste Water
- Petrochemical
- Health Care
- Mining
- Cleaning
- HVAC
- Chemical
- Semiconductor
- Agriculture
- Electric Power
- Water Parks/Swimming Pools

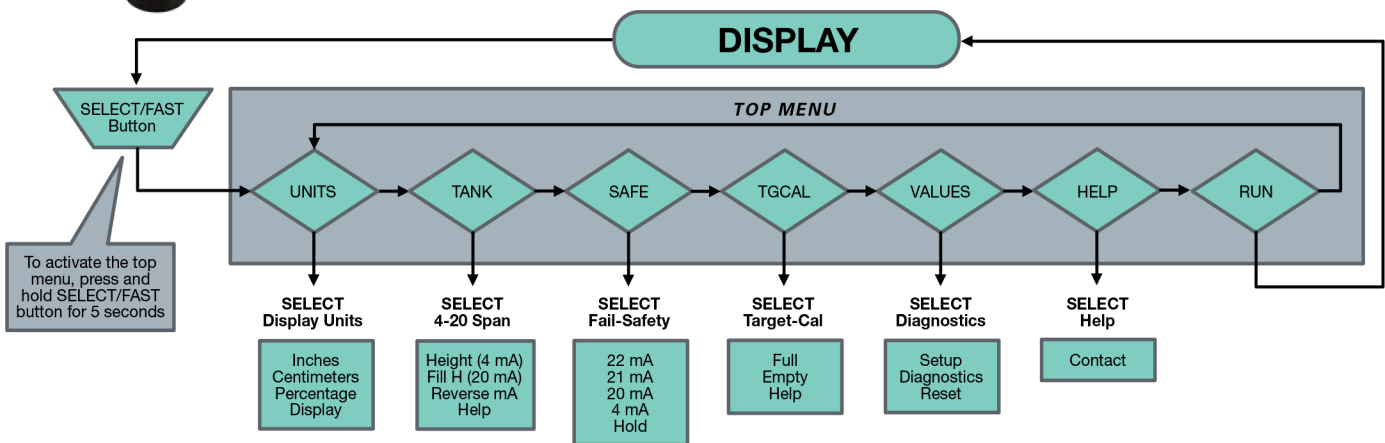
Dimensions



Easy Calibration



Calibration is fast and simple with our scrolling single layer menu, three button interface and 6-segment LCD display. Troubleshooting is easy with our unique Setup and Diagnostic feedback modes. Setup displays the transmitter's calibration set points. Diagnostics provides users with a snapshot of sensor performance and application variables. Gems UCL-520 is full feature level sensing made simple.



How To Order

Select by Part Number.

Description	Part Number
UCL-520 2-Wire Transmitter	225200