

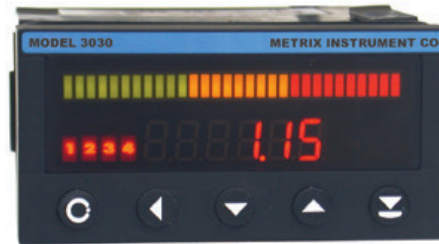
# AM3030 ALARM MONITOR

## Datasheet

### OVERVIEW

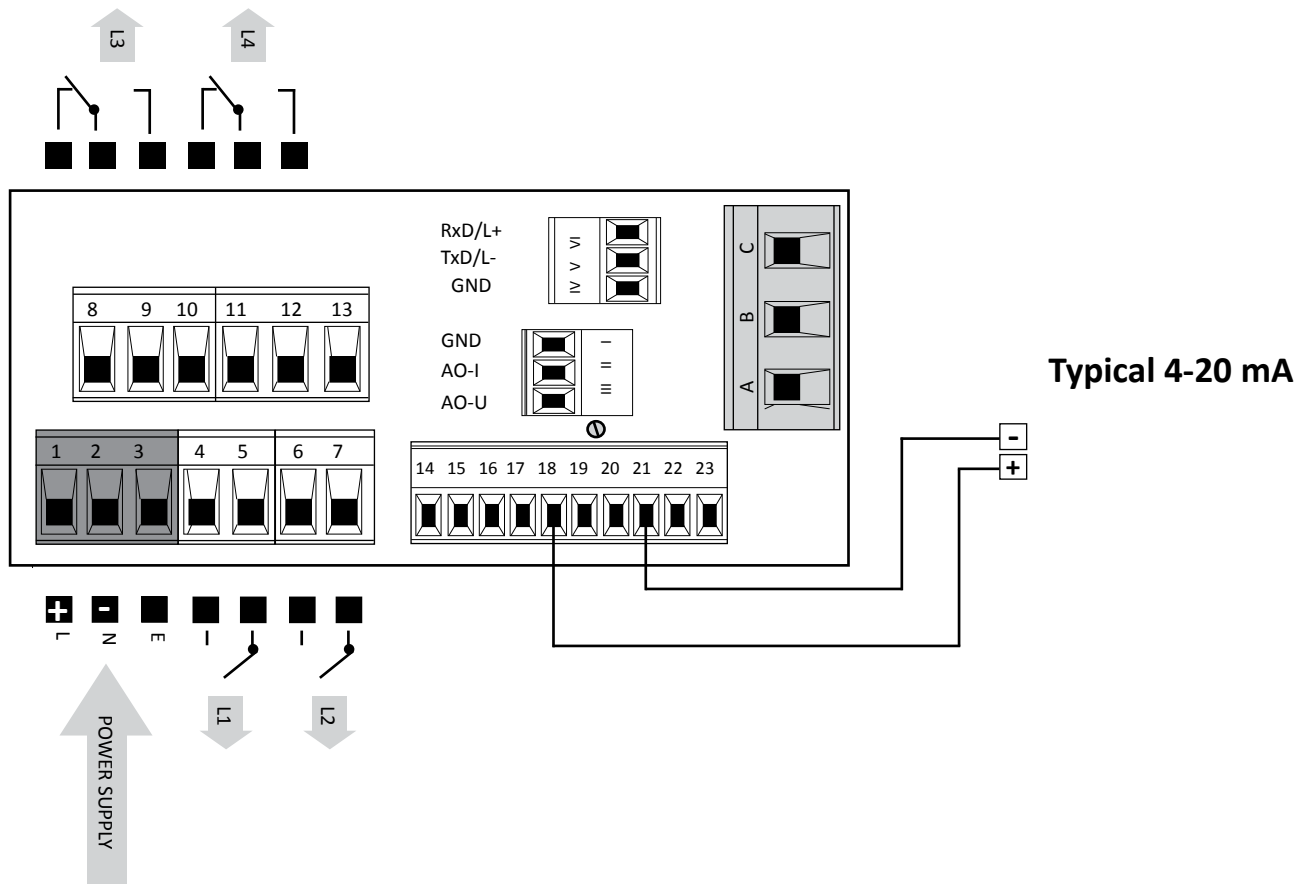
The Model AM3030 Alarm Monitor is a three color bargraph display with numerical indicator. It provides transmitter excitation and up to 4 programmable trip points in a neat 1/8 DIN package. This alarm monitor compliments the Metrix line of vibration transmitters by consolidating excitation, display and protection into a single compact package. Analog and serial retransmission is available.

AM3030 accepts 4-20 mA current inputs. It is configured using the 5 front panel keys. The green, yellow, red LED bargraph display can be configured for point or bar display and for one color or tricolor with change on alarm or change by zone.



### FEATURES

- 4-20 mA process monitor
- 2 or 4 adjustable relays
- 30 Segment multi-color bargraph display
- 6 Digit numerical readout
- Internal isolated power supply for transmitters (24V)
- 24 VDC, 110 or 230 VAC voltage supply
- 1/8 DIN with NEMA 4 front bezel
- Analog output, Modbus serial output and Time stamp options
- Compatible with Metrix Transmitters: ST5484E, TXR/TXA, and ST6917



## SPECIFICATIONS

<b>Measurement Range</b>	4-20 mA
<b>Display</b>	Horizontal Bar: 1 x 30 LED Numeric: Full 6 digit or 4 3/4 with units Height / Color: 9mm/Red or Green Brightness: Adjustable
<b>Accuracy</b>	0.05% of range + 1 digit Temp. Coefficient: 60 ppm°C Samples/sec.: Preset to 1.4 /sec.; 16.6, 8.3, 5.6, 2.8, 1.4, 0.7, 0.4, 0.2, 0.1, 0.05 selectable Overload Capacity: 10x < 30 msec., 2 x continuous Watchdog: Reset after 1.2 sec. Input Filters: Rolling average, (2 to 30), every nth reading, deviation band Calibration at: 25°C and 40% RH
<b>Alarms</b>	Number: 2 or 4 Switch on Time: < 30 msec. Hysteresis: 0 to 9999 Delay Time: 0 to 99.9 sec. Output: 2 or 4 SPDT relay; 3 Amp, 250 VAC

<b>Analog Output</b>	Type: Isolated, programmable resolution, corresponds to displayed value Non-Linearity: 0.2% of range Range: 4-20 mA
<b>Excitation</b>	Preset to 24 VDC; 2 to 24 VDC adjustable
<b>Data Output</b>	Protocol: Modbus ASCII or RTU; RS485 addressable Rate: To 38.4K baud Storage: 65K readings, time stamped
<b>Power Supply</b>	Internal fuse protection VAC: 110 or 230 50/60 Hz OR VDC: 10 to 30 V
<b>Mechanical</b>	Dimensions: 1/8 DIN; 96 x 48 x 154 mm Panel cutout: 90.5 x 45 Weight: 1 Kg (2.21 lbs)
<b>Operating Conditions</b>	Operating Temp: 0 to 60°C (85°C storage) Front Bezel: IP 65, NEMA 4

## ORDERING OPTIONS

AM3030-A A - B C - D E - F G - H H		
0 1 H R 4 1 0 0		
<b>AA</b>		<b>Input Type</b>
	01	4-20 mA
<b>B</b>		<b>Display Orientation</b>
	H	Horizontal
<b>C</b>		<b>Numeric Display Color</b>
	R	Red
<b>D</b>		<b>Power Supply</b>
	0	24 VDC
	1	110 VAC, 60Hz/230 VAC, 50 Hz
<b>E</b>		<b>Relay Output</b>
	4	4 SPDT, 3A
<b>F</b>		<b>Analog Output</b>
	1	Analog
<b>G</b>		<b>Data Output</b>
	0	No serial comms
	2	Serial comms with real time clock and storage (RS485)
<b>HH</b>		<b>Special codes</b>
	00	No special codes



**5455-119**  
Enclosure for AM3030  
(holds 2 units, sold as separate option)