

FWL-2 Pressure-Only Relief Valve

DESCRIPTION

The Cash Acme FWL-2 is a pressure only safety relief valve designed specifically for the protection of hot water supply systems where over-pressure conditions are likely to occur as a result of thermal expansion.

Completely automatic, the FWL-2 reseats after pressure relief. The valve may be installed directly on the tank or in a tee and is appropriate for either side (hot or cold) of the water heater.

The Cash Acme FWL-2 is compact and economical. It is available in 1/2" and 3/4" sizes with a male inlet and female outlet.

The standard factory relief setting for the Cash Acme FWL-2 is 150 psi. Relief settings of 75 psi and 125 psi are also available.

The Cash Acme FWL-2 is fitted with a bronze body and has brass and stainless steel internal parts, a silicone seat disc, and a stainless steel pressure spring.

A Lead Free* version of the 3/4" size is also available.



FEATURES AND BENEFITS

Specifically for the protection of hot water supply systems:

Offers protection from over-pressure conditions that are likely to occur as a result of thermal expansion.

Compact and economical:

Saves space and money!

Every valve is tested for performance prior to shipping:

Specify and install with confidence!

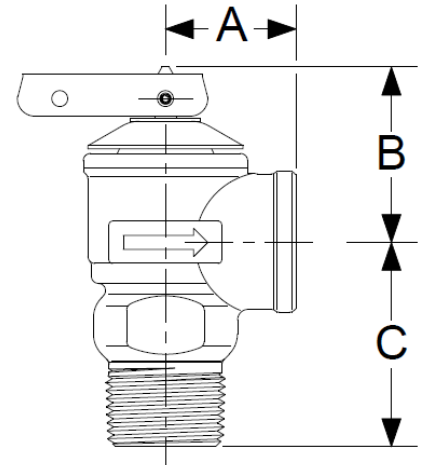
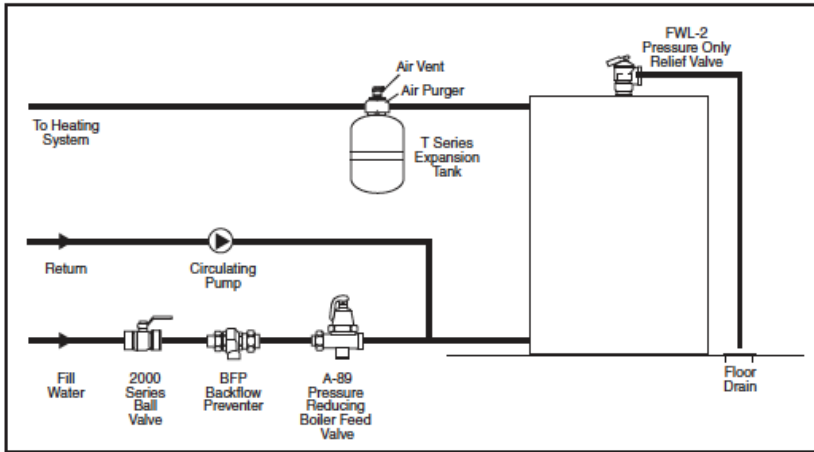
SPECIFICATIONS

A pressure only relief valve shall be installed to protect the system. The valve shall be ASME (applicable to 3/4" size only) and CSA listed and shall be design certified per ANSI Z21.22/CSA 4.4. The valve shall be a Cash Acme FWL-2 Pressure-Only Relief Valve.

* A device is defined as Lead Free if its normally wetted surface has a weighted average lead content not exceeding 0.25%.

FWL-2 Pressure-Only Relief Valve

TYPICAL INSTALLATION



SPECIFICATION DATA

Performance:

Available Set pressures 150 psi
 (75 and 125 psi available)
 Service Water

Materials:

Body Bronze
 Internal Parts Brass and stainless steel
 Seat Disc Silicone
 Pressure Spring Stainless steel

Type	Size (NPS)	DIMENSIONS		
		A	B	C
FWL-2	1/2"	1-3/32"	1-9/16"	1-25/32"
FWL-2	3/4"	1-5/32"	1-9/16"	1-25/32"

CONNECTIONS

Threaded (NPT) Male inlet and female outlet

CERTIFICATIONS

Cash Acme FWL-2 Relief Valves are certified to ANSI Z21.22/CSA 4.4 and are capacity certified to ASME Boiler Code Section IV (see Rating Table).

CSA (ANSI Z21.22/CSA 4.4) and ASME (Boiler Code Section IV) Ratings					
Type	Size (NPS)	CSA Rating (BTU/hr)	ASME Rating at Pressure Setting Indicated		
			75 psig (BTU/hr)	125 psig (BTU/hr)	150 psig (BTU/hr)
FWL-2	1/2"	15,000 (1)	N/R (1)	N/R	N/R
FWL-2	3/4"	200,000 (1)	N/R (1)	500,000	500,000
(1) The 1/2" and 3/4" FWL-2 at 75 psig are not CSA or ASME rated.					
(2) N/R indicates Type is available but Not ASME Rated at the indicated pressure set.					