

# STEAM TRAPS

Float & Thermostatic (FT-94/FT-94HC Series)

## Technical Specifications

Sterlco® (Models FT-94 and FT-94HC) Float & Thermostatic Traps are applicable to all types of steam heating systems and steam process equipment that produce exceptionally large amounts of condensate. These traps operate efficiently for low, medium & high pressure applications. Their purpose is to discharge air and condensate while preventing steam from entering the return piping.

These traps are manufactured in two sizes (1-1/2" and 2") for handling capacities of 425 to 24,000 lbs. of condensate per hour. Four (4) possible connections allow greater flexibility in piping.



**Models FT-94 & FT-94HC Float & Thermostatic Traps**  
Double Inlet/Outlet with Stainless Steel Internals

### Features

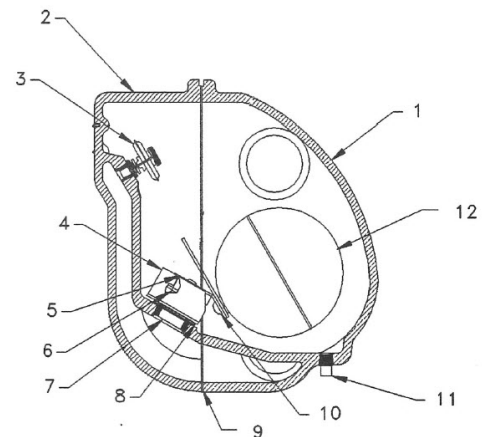
#### Standard Features

- **Heavy duty construction throughout.** Body and cover are rugged cast iron; all working parts are made of non-corrosive metals especially adapted for this service.
- **Instantaneous valve action.** Design of the float valve assembly permits rapid and positive valve action. Location of the valve assures a deep water seal at all times.
- **Continuous rapid flow of condensate.** A lever operated discharge valve opens wide so that large volumes of condensate can flow continuously from the trap. Increased full flooded condensate capacity with quick and positive action is assured by the float mechanism's double fulcrum design.
- **Minimum maintenance.** All working parts may be inspected, removed or repaired without disturbing piping connections. Clean-out plug at bottom of trap body permits easy flushing.

#### List of Materials

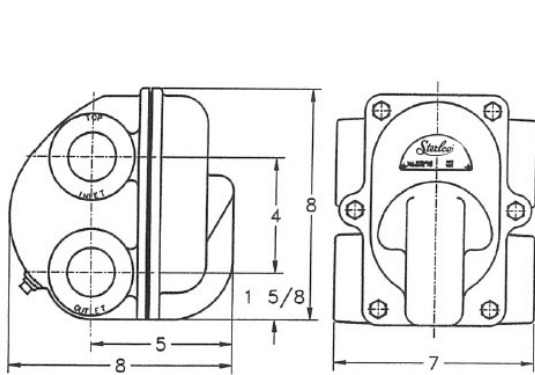
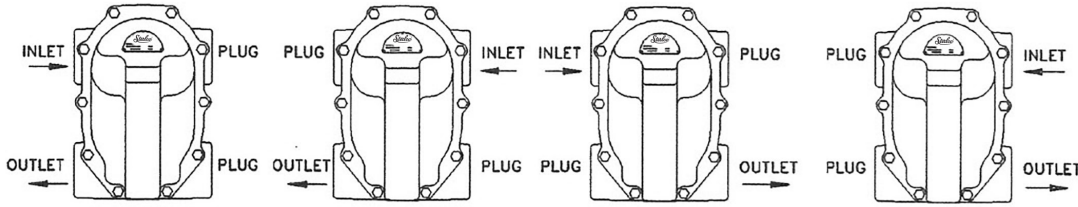
Models FT-94 and FT-94HC

ID	Part	Material
1	Body	Cast Iron
2	Cap	Cast Iron
3	Thermal Element	Stainless Steel & Brass
4	Bracket	Stainless Steel
5	Lever	Stainless Steel
6	Valve	Stainless Steel
7	Seat	Stainless Steel
8	Gasket	Cellulose, Aramid Fiber
9	Gasket	Cellulose, Aramid Fiber
10	Washer & Screw	Stainless Steel
11	Plug 1/4" NPT	Steel (Grade 2)
12	Float	Stainless Steel

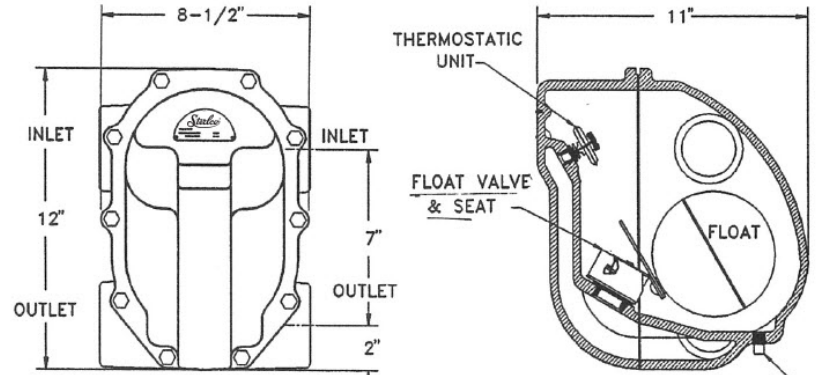


(Model FT-94HC Shown)

## Product Dimensions



Model FT-94 - Ship Weight 24 lbs.



Model FT-94HC - Ship Weight 48 lbs.

## Capacities

Model	NPT		Pressure Differential (PSI) Lbs. Condensate Per Hour																	
	Size	Orifice	1/4	1/2	1	2	5	10	15	20	25	30	40	50	60	75	90	100	125	
FT94-6/8-15	1-1/2" / 2"	.625	2700	3000	4000	5000	7500	10000	11750	-	-	-	-	-	-	-	-	-	-	-
FT94-6/8-15HC	1-1/2" / 2"	1.032	6400	7500	9300	13000	16500	21000	24000	-	-	-	-	-	-	-	-	-	-	-
FT94-6/8-30	1-1/2" / 2"	.500	1500	2750	3500	4750	6300	7750	9250	10500	11500	12500	-	-	-	-	-	-	-	-
FT94-6/8-30HC	1-1/2" / 2"	.762	2575	4500	5650	8750	11800	14500	17500	19500	20600	21600	-	-	-	-	-	-	-	-
FT94-6/8-75	1-1/2" / 2"	.312	600	825	1000	1225	1575	1875	2175	2500	2750	3000	3500	4000	4500	5000	-	-	-	-
FT94-6/8-75HC	1-1/2" / 2"	.500	1500	2750	3500	4750	6300	7750	9250	10500	11500	12500	13500	14500	15500	17000	-	-	-	-
FT94-6/8-125	1-1/2" / 2"	.250	425	600	750	900	1250	1600	1750	2100	2250	2500	2750	3000	3250	3600	3900	4100	4500	-
FT94-6/8-125HC	1-1/2" / 2"	.328	625	825	1100	1550	2100	3000	3500	3900	4200	4400	5000	5500	6250	6750	7500	7750	8700	-

Capacities given are continuous discharge capacities in pounds of condensate per hour at pressure differential indicated, determined by tests conducted according to ASME Performance Test code 39.1-1980. Apply Safety Factor as required per application. Condensate within 5 degrees of steam temperature.

Meeting the standards of

