



FL SERIES

The FL Series Flat Face Couplings are designed with high corrosion resistance and excellent fatigue life. The FL couplings are manufactured in 316 stainless steel to eliminate leakage during connection/disconnection, reduce contamination in the circuit, and offer optimal resistance to corrosion. Standard seals are Viton/Fluorocarbon; other materials available for various fluids and operating temperatures.

Category: [Flat Face Couplers](#) Tags: [Industry: Aerospace](#), [Industry: Industrial](#), [Industry: Mobile](#), [Industry: Oil & Gas](#)

-
- [Description](#)
 - [Quick Specs](#)

DESCRIPTION

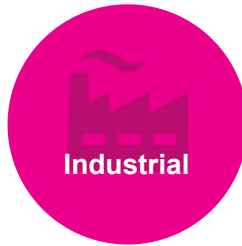
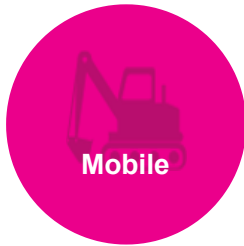
Features

- Size range: 1/4" thru 2"
- Port options: NPT, SAE, BSP
- Interchanges with ISO 16028
- Working pressure: 15-35 MPa/2175-5075 psi range
- Minimal pressure drop design
- Minimal air inclusion during connection

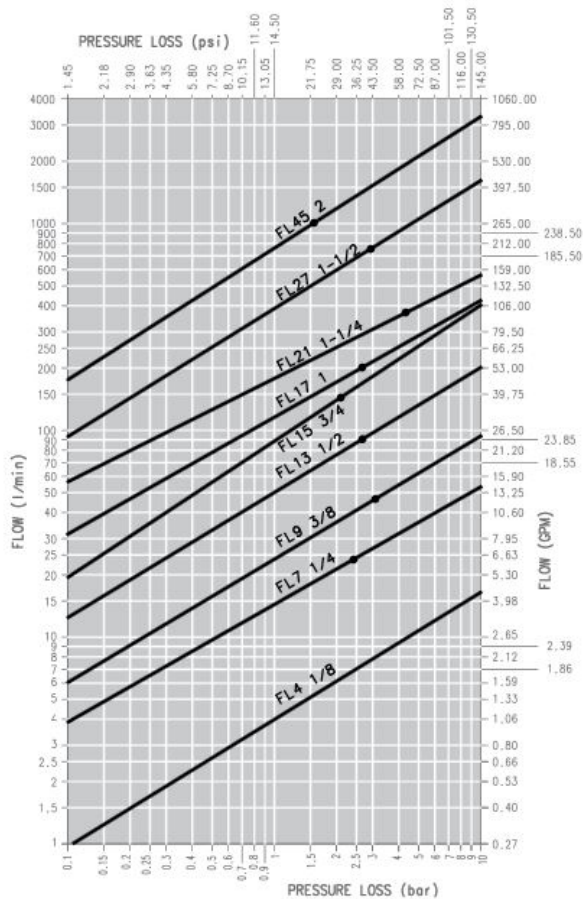
- Non-spill design eliminates leaks and contamination

Applications

- Highly corrosive environments or transmission of corrosive fluids
- Ideal for offshore, marine, industrial equipment, chemical, pharmaceutical and food processing



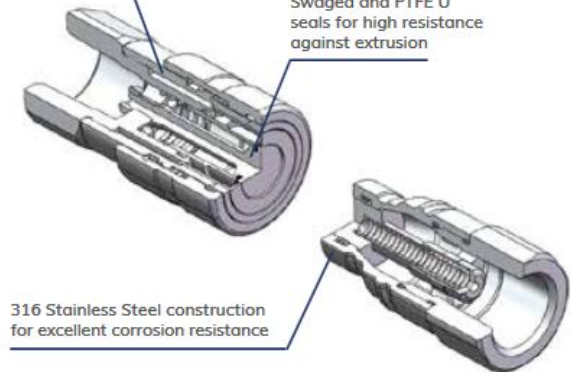
Pressure Drop



OIL = ISO VG32, TEMP = 40C, VISCOSITY = 28.8-35.2 MM²/S

Flat face valves w/ safety lock to prevent accidental disconnection

Swaged and PTFE U seals for high resistance against extrusion



316 Stainless Steel construction for excellent corrosion resistance

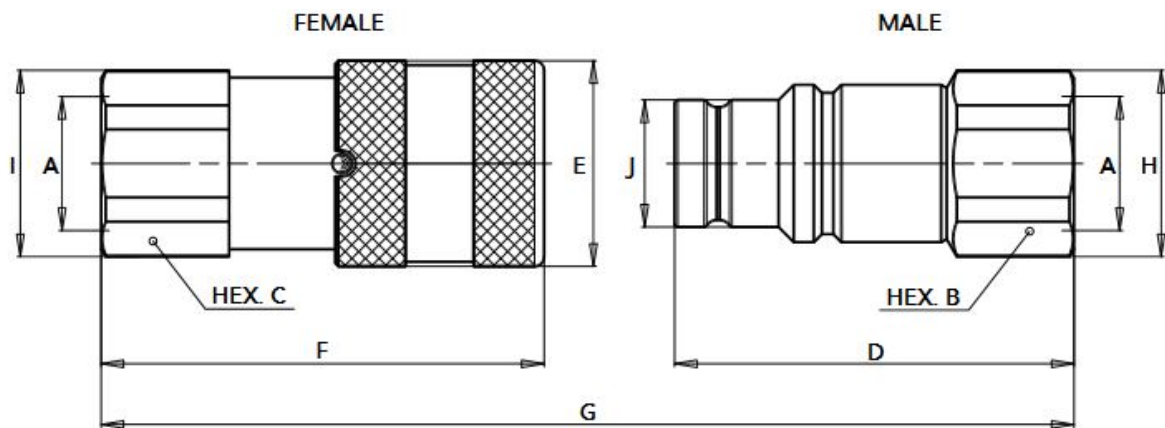
Performance

**MAX
OPERATING
PRESSURE**

**BURST
PRESSURE**

DESCRIPTION	SIZE	ISO SIZE	COUPLED		COUPLED		MALE		
			MPa	psi	MPa	psi	MPa	psi	MPa
FL4	1/8	–	35	5075	140	20300	140	20300	120
FL7	1/4	6.3	35	5075	140	20300	120	17400	48
FL9	3/8	10.0	35	5075	140	20300	120	17400	60
FL13	1/2	12.5	35	5075	120	17400	110	15950	60
FL15	5/8	16.0	35	5075	120	17400	100	14500	48
FL17	3/4	19.0	33	4785	100	14500	80	11600	48
FL21	1	25.0	28	4060	90	13050	80	11600	48
FL27	1 1/2	–	23	3335	80	11600	70	10150	32
FL45	2	–	15	2175	60	8700	60	8700	28

Size Diagram



DESC.	BODY SIZE	A	UNIT	B	C	D	E	F	G	H	I
FL4 1/8	1/8	1/8	mm	17.0	19.0	36.3	20.0	40.0	68.4	18.5	20.5
			inch	0.67	0.75	1.43	0.79	1.57	2.69	0.73	0.81
FL7 1/4	1/4	1/4	mm	22.0	22.0	49.4	28.0	48.3	86.7	23.8	23.8
			inch	0.87	0.87	1.94	1.10	1.90	3.41	0.94	0.94
FL9	3/8	3/8	mm	24.0	27.0	59.9	32.0	64.2	108.6	26.0	29.0

3/8			inch	0.94	1.06	2.36	1.26	2.53	4.28	1.02	1.14
FL9 1/2	3/8	1/2	mm	27.0	27.0	62.4	32.0	69.2	116.1	29.0	29.0
			inch	1.06	1.06	2.46	1.26	2.72	4.57	1.14	1.14
FL13 1/2	1/2	1/2	mm	32.0	32.0	70.5	38.0	73.8	127.0	33.8	33.8
			inch	1.26	1.26	2.78	1.50	2.91	5.00	1.33	1.33
FL13 3/4	1/2	3/4	mm	36.0	36.0	70.5	38.0	80.8	134.0	38.5	38.5
			inch	1.42	1.42	2.78	1.50	3.18	5.28	1.52	1.52
FL15 3/4	5/8	3/4	mm	36.0	36.0	70.5	42.0	80.9	133.8	38.5	38.5
			inch	1.42	1.42	2.78	1.65	3.19	5.27	1.52	1.52
FL17 1	3/4	1	mm	46.0	46.0	82.2	48.0	92.9	153.3	49.5	49.5
			inch	1.81	1.81	3.24	1.89	3.66	6.04	1.95	1.95
FL21 1 1/4	1	1 1/4	mm	55.0	55.0	90.0	55.0	106.2	173.0	59.8	59.8
			inch	2.17	2.17	3.54	2.17	4.18	6.81	2.35	2.35
FL27 1 1/2	1 1/2	1 1/2	mm	70.0	65.0	111.0	80.0	132.4	214.8	76.0	72.0
			inch	2.76	2.56	4.37	3.15	5.21	8.46	2.99	2.83
FL45 2	2	2	mm	75.0	80.0	123.8	100.0	156.6	241.5	83.5	88.5
			inch	2.95	3.15	4.87	3.94	6.17	9.51	3.29	3.48

FL Series Accessories Coupler Dust Cap | Nipple Dust Cap

PART	BODY SIZE	PORT SIZE	THREAD TYPE	ORDER CODE	PART DESCRIPTION
FL NPT THREAD					
COUPLER	1/8	1/8	NPT	802401118	F. FL4 1/8 NPT
NIPPLE	1/8	1/8	NPT	802401119	M. FL4 1/8 NPT
COUPLER	1/4	1/4	NPT	802401100	F. FL7 1/4 NPT
NIPPLE	1/4	1/4	NPT	802401101	M. FL7 1/4 NPT
COUPLER	3/8	3/8	NPT	802401102	F. FL9 3/8 NPT
NIPPLE	3/8	3/8	NPT	802401103	M. FL9 3/8 NPT

COUPLER	3/8	1/2	NPT	802401104	F. FL9 1/2 NPT
NIPPLE	3/8	1/2	NPT	802401105	M. FL9 1/2 NPT
COUPLER	1/2	1/2	NPT	802401106	F. FL13 1/2 NPT
NIPPLE	1/2	1/2	NPT	802401107	M. FL13 1/2 NPT
COUPLER	1/2	3/4	NPT	802401108	F. FL13 3/4 NPT
NIPPLE	1/2	3/4	NPT	802401109	M. FL13 3/4 NPT
COUPLER	5/8	3/4	NPT	802401110	F. FL15 3/4 NPT
NIPPLE	5/8	3/4	NPT	802401111	M. FL15 3/4 NPT
COUPLER	3/4	1	NPT	802401112	F. FL17 1 NPT
NIPPLE	3/4	1	NPT	802401113	M. FL17 1 NPT
COUPLER	1	1 1/4	NPT	802401114	F. FL21 1 1/4 NPT
NIPPLE	1	1 1/4	NPT	802401115	M. FL21 1 1/4 NPT
COUPLER	1 1/2	1 1/2	NPT	802401116	F. FL27 1 1/2 NPT
NIPPLE	1 1/2	1 1/2	NPT	802401117	M. FL27 1 1/2 NPT
COUPLER	2	2	NPT	802401120	F. FL45 2 NPT
NIPPLE	2	2	NPT	802401121	M. FL45 2 NPT
FL SAE THREAD					
COUPLER	1/8	3/16	SAE	802404100	F. FL4 3/16 SAE
NIPPLE	1/8	3/16	SAE	802404101	M. FL4 3/16 SAE
COUPLER	1/4	3/8	SAE	802404102	F. FL7 3/8 SAE
NIPPLE	1/4	3/8	SAE	802404103	M. FL7 3/8 SAE
COUPLER	3/8	1/2	SAE	802404104	F. FL9 1/2 SAE
NIPPLE	3/8	1/2	SAE	802404105	M. FL9 1/2 SAE
COUPLER	3/8	5/8	SAE	802404106	F. FL9 5/8 SAE
NIPPLE	3/8	5/8	SAE	802404107	M. FL9 5/8 SAE
COUPLER	1/2	5/8	SAE	802404108	F. FL13 5/8 SAE
NIPPLE	1/2	5/8	SAE	802404109	M. FL13 5/8 SAE

COUPLER	1/2	1/2	SAE	802404110	F. FL13 1/2 SAE
NIPPLE	1/2	1/2	SAE	802404111	M. FL13 1/2 SAE
COUPLER	1/2	3/4	SAE	802404112	F. FL13 3/4 SAE
NIPPLE	1/2	3/4	SAE	802404113	M. FL13 3/4 SAE
COUPLER	5/8	3/4	SAE	802404114	F. FL15 3/4 SAE
NIPPLE	5/8	3/4	SAE	802404115	M. FL15 3/4 SAE
COUPLER	3/4	1	SAE	802404116	F. FL17 1 SAE
NIPPLE	3/4	1	SAE	802404117	M. FL17 1 SAE
COUPLER	1	1 1/4	SAE	802404118	F. FL21 1 1/4 SAE
NIPPLE	1	1 1/4	SAE	802404119	M. FL21 1 1/4 SAE
COUPLER	1 1/2	1 1/2	SAE	802404120	F. FL27 1 1/2 SAE
NIPPLE	1 1/2	1 1/2	SAE	802404121	M. FL27 1 1/2 SAE
COUPLER	2	2	SAE	802404122	F. FL45 2 SAE
NIPPLE	2	2	SAE	802404123	M. FL45 2 SAE

ADDITIONAL INFORMATION

Body Size	<u>1/4", 3/8", 1/2", 5/8", 3/4", 1", 1 1/4", 1 1/2", 2"</u>
Material	<u>Stainless</u>
Port Options	<u>BSP, NPT, SAE</u>
Port Size	<u>1/4", 3/8", 1/2", 5/8", 3/4", 1", 1 1/4", 1 1/2", 2"</u>
Valve Style	<u>Flat Face</u>
Working Pressure	<u>Up to 5000</u>

Related products

•



Dust Caps & Repair Kits

Protective caps and plugs are useful accessories that prevent damaging dust, water or mud from entering the quick couplings, thus lengthening their working lives. Repair kits are available upon request.

[Read more](#)



SV2 PLATE SERIES

The SV2 Series of Multi-Coupling Plates allows the simultaneous couple and uncouple of two large diameter hydraulic lines with a single, simple movement requiring very little force. The system eliminates crossing of lines, reducing downtime and insuring couplers are fully connected. The auto-locking system insures that lines are connected safely and provides secondary retention of the connection.

[Read more](#)

-



PPC Series

The PPC Series (Push-Pull Coupler) is built on the A Premier platform, featuring breakaway capabilities that engage when the coupler is unintentionally left coupled, preventing leakage and damage. Its clamp fixture is designed to be mounted to the structure; when pulled apart in line with the coupler, the PPC coupler will break away. For mobile applications: the APM series nipple is recommended with this series.

[Read more](#)

•



AG INTERCHANGE IR | IRV | IRS SERIES

The Agriculture IR Series Hydraulic Quick Couplings offer automatic shut-off during disconnection. The IR features a variety of connection mechanisms: ball (IR), poppet (IRV), push pull (IRS) or push pull sleeve connectable under residual pressure (IRS PC). Poppet or flat-face are recommended for new applications.

[Read more](#)