

# MEDENUS

Gas Pressure Regulation



## Safety shut-off valve S 100

Product information

EN



## Table of Contents

<b>Application, Characteristics, Technical Data</b>	<b>4</b>
Application	4
Characteristics	4
Type of model (options)	4
Technical Data	5
Design and function	6
Options	7
KG* value	8
Setpoint spring table - SSV	9
Setpoint spring table - SSV	10
<b>Dimensions, Connection and Weight</b>	<b>11</b>
Dimensions and weight	11
Dimensional drawing	11
Connection of the measuring lines and breather lines	12
Installation situation	12
<b>Order data</b>	<b>14</b>
<b>Notes</b>	<b>15</b>
<b>Contact</b>	<b>16</b>
<b>Notes</b>	<b>18</b>

## List of abbreviations and formula symbols

$AG_o$	Upper response pressure group	PS	Maximum allowable pressure	$\Delta p_{wo}$	Min. re-engagement difference between upper response pressure and normal operating pressure
$AG_u$	Lower response pressure group	$p_u$	Inlet pressure	$\Delta p_{wu}$	Min. re-engagement difference between lower response pressure and normal operating pressure
$K_G$	value	$Q_n$	Standard volumetric flow rate		
$p_d$	Outlet pressure	SSV	Safety shut-off valve	$\rho_n$	Gas density
$p_{ds}$	Setpoint of the response pressure	$t_{Gas}$	Gas inlet temperature		
$p_{ds_o}$	Upper SSV response pressure	VS	Valve seat		
$p_{ds_u}$	Lower SSV response pressure	$w_d$	Outlet gas velocity		
$p_{f,max}$	Maximum closing pressure	$w_u$	Inlet gas velocity		
BV	Breather valve	$W_{dso}$	Upper adjustment range (SSV)		
		$W_{dsu}$	Lower adjustment range (SSV)		

\*) KG value for natural gas:  $d = 0,64$  ( $\rho_n = 0,83 \text{ kg/m}^3$ ),  $t_u = 15^\circ \text{ C}$

# Application, Characteristics, Technical Data

## Application

Safety shut-off valve (SSV), direct-acting (operating without auxiliary power), for systems acc. to DVGW - work sheet G 491 (A) and G 600 (A) (TRGI)

Can be used as an equipment component for gas consumption systems according to Regulation (EU) 2016/426.

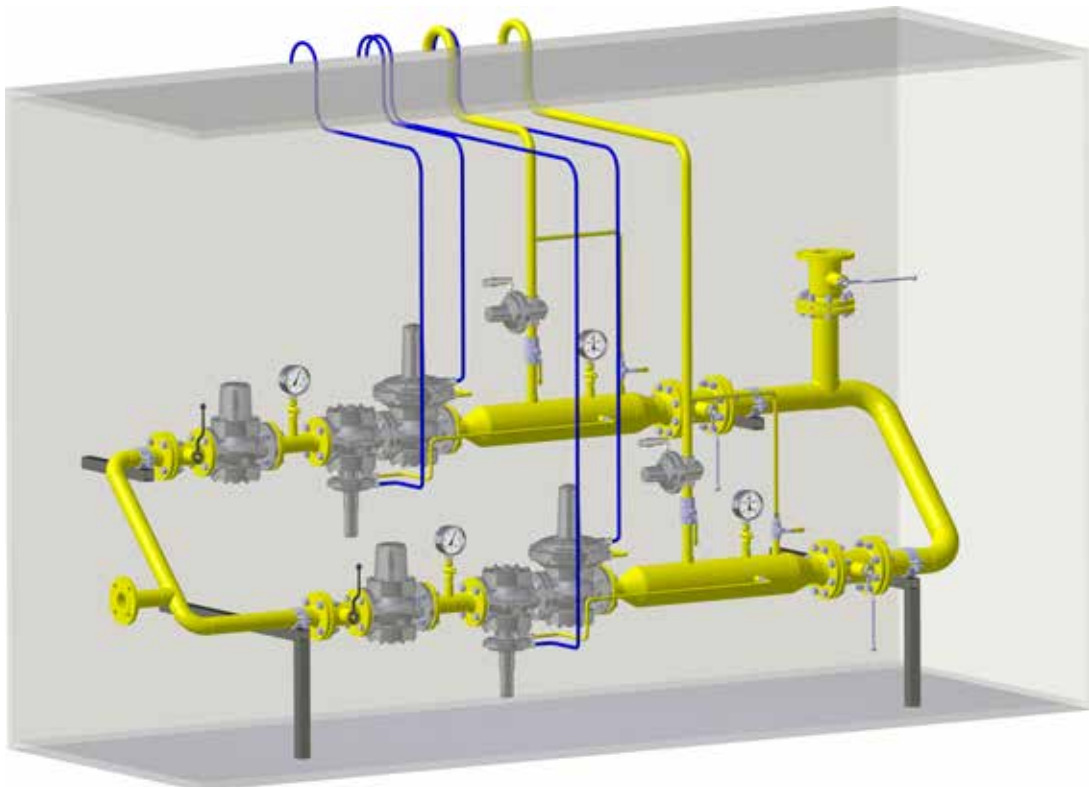
Can be used for the gases defined in DVGW - work sheet G 260 / G 262 and neutral non-aggressive gases. (other gases on request)

## Characteristics

- Integral pressure-tight model (IS)
- High flow rate capacity
- outdoor version as standard

## Type of model (options)

- with BV breather valve
- with electric position indicator SSV 'Closed' via inductive proximity initiator or via Reed contact
- with SSV manual release
- with SSV electromagnetic remote release when power is applied or in case of power failure
- Oxygen model



double gas train

## Technical Data

<b>Type</b>	S 100
<b>Model</b>	Integral pressure-tight (IS)
<b>Max. allowable pressure PS</b>	8 bar
<b>Max. inlet pressure <math>p_{u,max}</math></b>	8 bar
<b>Nominal size</b>	DN 25, DN 40, DN 50, DN 65, DN 80, DN 100, DN 125, DN 150, DN 200
<b>Connection type</b>	DIN EN PN 16* flanges ASME - B16.5 -Flange Class 150 RF
<b>Material</b>	
Housing / actuator housing/ control device housing	Al - cast alloy**
<b>Temperature range, Class 2</b> (operating/ambient temperature)	-20°C to +60°C

### Response pressure groups

Upper response pressure group $AG_o$ in command area $w_{dso}$	$AG_o$	Lower response pressure $AG_u$ in command area $w_{dsu}$	$AG_u$
50 mbar to 100 mbar	10	10 mbar to 30 mbar	20
> 100 mbar to 500 mbar	5	> 30 mbar to 50 mbar	10
> 500 mbar	2.5	> 50 mbar	5

**Function, Strength and Tightness to** DIN EN 14382

**CE mark acc. to PED/ PIN number** CE-0085-AQ0880

**Ex protection** The mechanical parts of the device do not have any potential ignition sources of their own and therefore do not fall within the scope of ATEX 95 (94/9/EC). Electrical components fitted to the device comply with the ATEX requirements.

\*) DN 200 flange - DIN EN 1092 PN 10

\*\*) Corrosivity category according to DIN EN ISO 12944-2.

The categories C1 to C5-I including guaranteed without additional coatings.  
For the category C5-M a coating with epoxy resin is recommended.



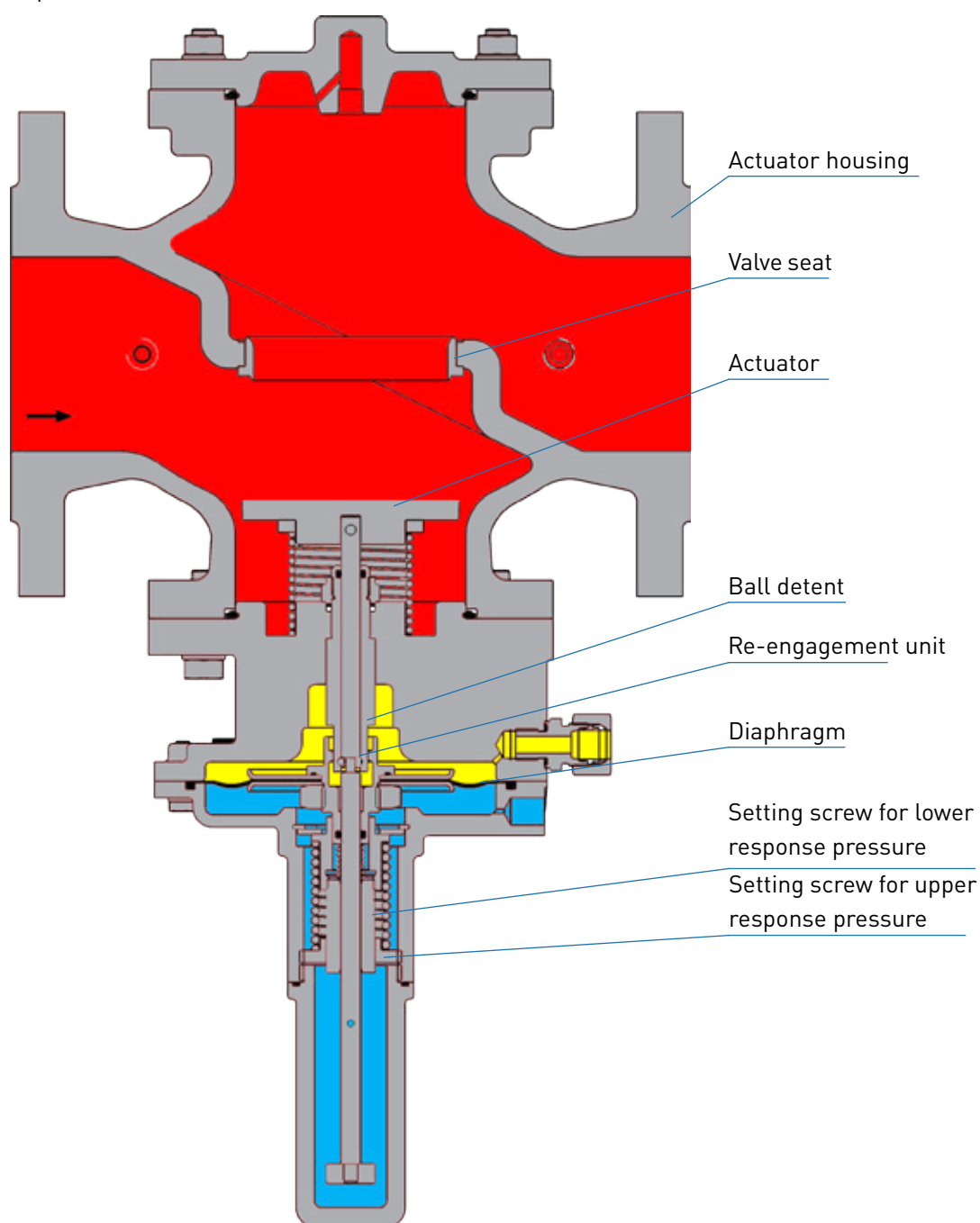
# Application, Characteristics, Technical Data

## Design and function

The safety shut-off valve S 100 shuts off the gas flow when the outlet pressure in the regulating section exceeds or falls below a certain response pressure. To this end, the outlet pressure to be monitored is passed on to the SSV control device via a separate measurement line. As a function of the change in pressure, the main diaphragm in the controller is raised or lowered. When the outlet pressure in the regulating section falls below the lower switch-off point or exceeds the upper switch-off point, the switch socket connected to the SSV diaphragm will move to the corresponding disengaging position, the balls of the engaging mechanism will release the SSV screw spindle, and the closing spring will press the SSV valve plate against the valve seat. The SSV actuator shuts off the gas flow gas-tight. The SSV can only be opened by hand and engaged in the open position. To do so, the outlet pressure at the measuring point must be lowered below the upper response pressure or raised above the lower response pressure by at least the re-engaging differential amount ( $\Delta p$ ).

The SSV can, except where otherwise stipulated in national legislation, be used in either function class A (with diaphragm rupture protection) and B (without diaphragm rupture protection).

There is also the option of using a remote display for SSV position 'CLOSED' and a manual and remote release when power is applied or in case of power failure.

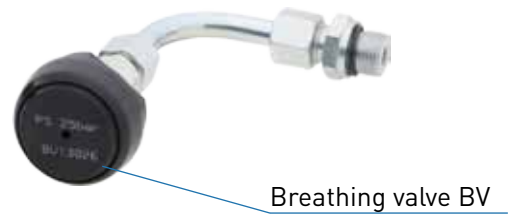


## Options

### Breathing valve BV

The breathing valve BV serves to protect the room of installation against inadmissible gas leakage from the venting space of safety shut-off valves.

It is also an alternative to the cost- and work intensive installation of breathing pipes.



### Signal transmitter / Inductive Sensor

Signal and inductive sensors are used to monitor the position (closed or open position) of the safety shut-off valve by remote display.



### SAV remote release

The direct-acting solenoid valve serves as an electromagnetic remote release for closing the safety shut-off valve in case of power flow and power failure.



## K<sub>G</sub>\* value

Nominal size ∅ Valve seat	DN 25	DN 40	DN 50	DN 65	DN 80	DN 100	DN 125	DN 150	DN 200
32.5 mm	450	550							
52.5 mm			1,350	1,650					
80.0 mm					3,300	3,900	4,500		
125.0 mm								8,000	
160.0 mm									14,000
Connection	DIN EN 1092 - PN16**								

\*) KG value for natural gas:  $d = 0.64$  ( $\rho_n = 0.83 \text{ kg/m}^3$ ),  $t_u = 15^\circ\text{C}$

\*\*\*) DN 200 flange - DIN EN 1092 PN10



## Setpoint spring table - SSV

Type	Upper response pressure		Lower response pressure		Spring data		
	$w_{dso}$ [mbar]	$\Delta p_{wo}^{**}$ [mbar]	$w_{dsu}$ [mbar]	$\Delta p_{wu}^{**}$ [mbar]	Spring no.	Colour [RAL]	
<b>MD*</b> small ball lock  S100: DN 25 - 125			1 - 8	15	FE 900	1028	
			6 - 17	15	FE 901	2002	
			12 - 24	20	FE 902	6010	
			22 - 40	30	FE 903	5015	
			30 - 50	30	FE 904	9005	
			45 - 70	40	FE 905	9010	
			65 - 100	50	FE 906	4002	
	20 - 40	20			FD 910	1028	
	35 - 70	20			FD 911	2002	
	65 - 110	30			FD 912	6010	
	100 - 160	30			FD 913	5015	
	150 - 235	40			FD 914	9005	
	225 - 355	60			FD 915	9010	
	345 - 510	80			FD 916	3020	
	500 - 710	80			FD 917	5010	
	655 - 1205	100			FD 918	9006	
	760 - 1550	200			FD 919	4002	
	<b>MD-R</b> small ball lock  S100: DN 25 - 125			30 - 55	30	FE 900	1028
				50 - 80	40	FE 901	2002
			70 - 105	50	FE 902	6010	
			100 - 140	80	FE 903	5015	
			110 - 160	80	FE 904	9005	
			150 - 205	100	FE 905	9010	
			200 - 300	100	FE 906	4002	
90 - 125		30			FD 910	1028	
120 - 210		40			FD 911	2002	
200 - 330		60			FD 912	6010	
285 - 460		80			FD 913	5015	
450 - 680		80			FD 914	9005	
640 - 1040		100			FD 915	9010	
1030 - 1480		200			FD 916	3020	
1450 - 2200		200			FD 917	5010	
1900 - 3500		200			FD 918	9006	
2200 - 4500		200			FD 919	4002	

## Setpoint spring table - SSV

Type	Upper response pressure		Lower response pressure		Spring data	
	$w_{dso}$ [mbar]	$\Delta p_{wo}^{**}$ [mbar]	$w_{dsu}$ [mbar]	$\Delta p_{wu}^{**}$ [mbar]	Spring no.	Colour [RAL]
<b>MD</b> large ball lock			10 - 40	15	FM 400	1028
			35 - 115	30	FM 402	6010
			60 - 245	60	FM 404	9005
	40 - 180	20			FL 412	6010
	S100: DN 150 - 200	70 - 340	50			FL 413
	330 - 1100	80			FL 415	9010
<b>MD-R</b> large ball lock			10 - 180	50	FM 400	1028
			155 - 380	100	FM 402	6010
			200 - 950	150	FM 404	9005
	145 - 670	100			FL 412	6010
	S100: DN 150 - 200	270 - 1230	200			FL 413
	1200 - 4500	200			FL 415	9010

### Determining the upper response pressure

Outlet pressure $P_d$ (mbar)	Upper response pressure $w_{dso}$ ***
$\leq 200$	$P_d + 100$ mbar
$> 200 - \leq 800$	$P_d \times 1.5$
$> 800 - \leq 1600$	$P_d \times 1.3$
$> 1600$	$P_d + 500$ mbar

\*) if possible not greater than 450 mbar

\*\*) If the control device is set up for simultaneous monitoring of upper and lower response pressure, the difference between the setpoints for the upper and lower response pressure ( $p_{dso}$  and  $p_{dsu}$ ) should be at least 10% greater than the total of values given for  $\Delta p_{wo}$  and  $\Delta p_{wu}$ .

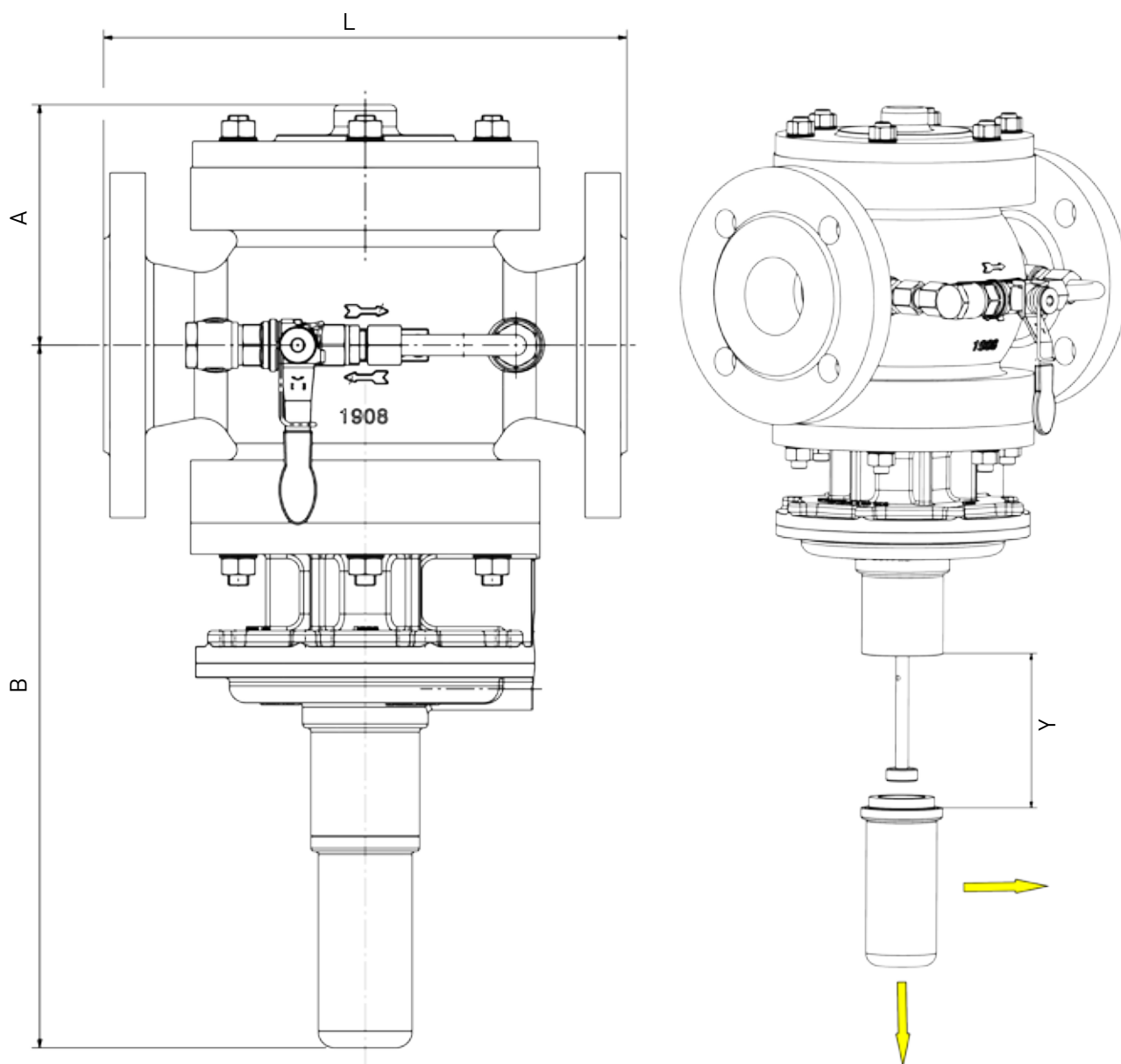
\*\*\*) The upper response pressure is rounded up to full tens, for example 251 mbar -> 260 mbar

# Dimensions, Connection and Weight

## Dimensions and weight

Dimensions	Nominal size	DN 25	DN 40	DN 50	DN 65	DN 80	DN 100	DN 125	DN 150	DN 200
	A [mm]		105	98	115	116	139	150	150	195
B [mm]		286	314	336	342	360	360	371	371	475
L [mm]		160	160	250	220	280	300	260	380	420
Y [mm]		100	100	100	100	100	100	100	150	150
Weight [kg]		3.5	5.0	8.5	7.0	13.0	15.0	32.0	32.0	49.0
Connection		DIN EN 1092 - PN16*								

## Dimensional drawing



\*) DN 200 flange - DIN EN 1092 PN10

## Connection of the measuring lines and breather lines

Nominal size	Measuring line	Breather line
DN 025	Connection* for: pipe 12 x 1.5 (thread G 1/4)	
DN 040		
DN 050		
DN 065		
DN 080		
DN 100		
DN 125		
DN 150	Connection* for: pipe 12 x 1.5 (thread G 3/8)	
DN 200		

### Note

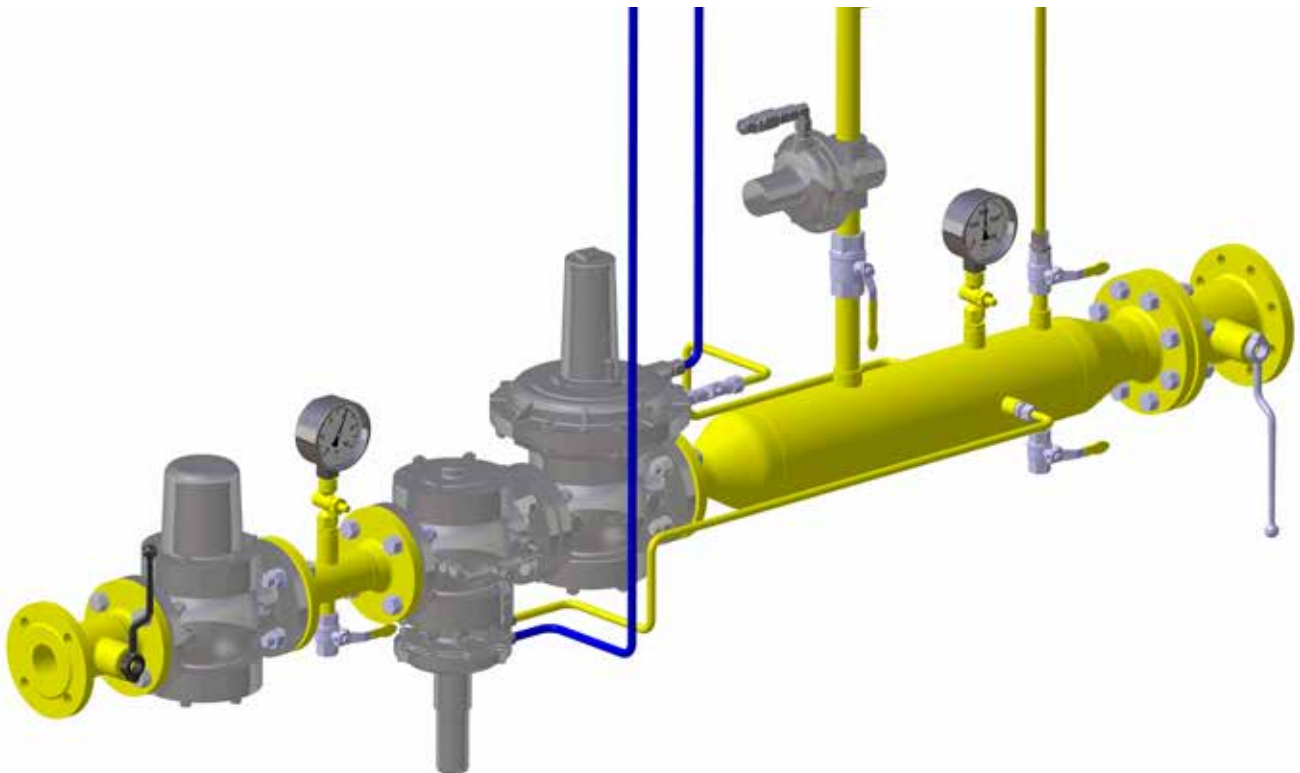
Observe the following publications in relation to installation, start-up and maintenance:

DVGW - work sheets G 491 and G 600

Operating and Maintenance Instructions S 100

The safety shut-off valve S 100 shall be installed in the pipeline preferably in horizontal position with vertical position of the safety shut-off spring cap. For all nominal sizes, the direction of flow is indicated by an arrow on the housing.

## Installation situation



# Selection

## Device selection

Selection of the SSV from the SSV setpoint spring table (page 7)

Note: Recommended upper SSV response pressure  $p_{ds\ o} < 500 \text{ mbar} + p_{ds}$

Note: When selecting springs,  $AG_o$  and  $AG_u$  must be observed. The possible minimum and maximum response pressures are calculated as follows:

$$p_{dso\ min/max} = p_{ds\ o} \cdot (1 \pm AG_o / 100)$$

$$p_{dsu\ min/max} = p_{ds\ u} \cdot (1 \pm AG_u / 100)$$

## Checking the gas velocities

$$w = 380 \cdot Q_n / (DN^2 \cdot p_{abs})$$

Note: The factor 380 refers to an operating gas temperature from approx. 15°C to 20°C. For other temperatures, the velocity must be corrected as follows:  $w_{corr} = w \cdot (t_{gas} + 273.15) / 290$

Recommended max. gas velocity at the inlet flange:

50 - 70 m/s Lower value for redirections upstream of the SSV

## Example:

MDR with FD 914 (440-770 mbar)

$AG_o$  10

set to  $p_{ds\ o} = 700 \text{ mbar}$

and FE 904 (110-150 mbar)  $AG_u$  5

set to  $p_{ds\ u} = 130 \text{ mbar}$

$$p_{dso\ max} = 700 \cdot (1 + 10 / 100) = 770 \text{ mbar}$$

$$p_{dso\ min} = 700 \cdot (1 - 10 / 100) = 630 \text{ mbar}$$

$$p_{dsu\ max} = 130 \cdot (1 + 5 / 100) = 136.5 \text{ mbar}$$

$$p_{dsu\ min} = 130 \cdot (1 - 5 / 100) = 123.5 \text{ mbar}$$

Inlet and outlet nominal size of the pipeline according to the selected device: 80 mm

Selected widening of outlet pipeline: 200 mm

$$w_u = 380 \cdot 2500 / (80^2 \cdot 6) = 24.7 \text{ m/s}$$

The device selected in the example of nominal size DN 80 can be operated under these conditions.

## Order data

### Example:

Safety shut-off valve: S100/050/MD-R/links/BV/N/H/WAZ/So

Order selection	Designation	Order code:												
		S100	050	-	MD-R	-	links	BV	N	H	WAZ	So		
<b>Type</b>														
S100	S100	S100												
<b>DN - Nominal size</b>	Table p.14		050											
<b>Flange model</b>														
PN 16	-			-										
Class 150	C													
<b>SSV</b>														
with MD control device	MD													
with MD-R control device	MD-R				MD-R									
<b>SSV function class</b>														
A	-					-								
B	B													
<b>Direction of flow</b>														
Right (from left to right)	-													
Left (from right to left)	links						links							
<b>SSV valve accessories</b>														
without	-													
Breather valve	BV							BV						
<b>Electrical position indicator, SSV 'Closed'</b>														
without	-													
with ... , via proximity switch	N								N					
with ... , via Reed contact	R													
<b>SSV release</b>														
without	-													
with manual release	H									H				
with electromagnetic remote release, when power is supplied	SG													
with electromagnetic remote release, in case of power failure	SA													
<b>Acceptance test certificate to EN 10204/3.1</b>														
without	-													
with acceptance test certificate	WAZ											WAZ		
<b>Special model</b>	So*													So

In every selection group, only one option can be selected.

### DN - Nominal size

Type	025	040	050	065	080	100	125	150	200
S100	X	X	X	X	X	X	X	X	X

- So\*)
- Combination of manual and remote release
  - Oxygen model
  - Coating with epoxy resin in RAL colours

## Notes

A series of horizontal dotted lines for writing notes.

## Contact

If you want to know more about our products and services, please contact your local representative or visit our website at [www.medenus.de/en](http://www.medenus.de/en).



**MEDENUS**  
Gas-Druckregeltechnik  
GmbH

Im Langen Feld 3





## THE MEDENUS PLUS

### 10 reasons for good business relations

1. Consultancy expertise and quality standards developed over decades
2. Broad and proven standard range of feedback controllers
3. Modern, fast and efficient production for series products and for individual orders
4. Customized design of pressure regulators and vacuum regulators and special designs
5. Guaranteed deadline compliance with a delivery time guarantee
6. Fast response time in all matters
7. Sufficiently large parts storage for production and spare parts
8. Customized theory & practice training courses
9. Modular design right across the entire product range to facilitate optimized handling of spare parts
10. 100% Made in Germany

# Notes

A series of horizontal dotted lines for writing notes.

**In the download area of our homepage, different languages of this document are available. You can use the following QR codes and links to go directly to this document in your language.**

