



A-HD SERIES

The **A-HD Series Flat Face Couplings** address residual pressure in a circuit, anywhere thermal expansion of trapped fluid causes pressure to develop. They connect by hand with residual pressure, without releasing any fluid into the environment, due to an internal valving system.

Categories: [Flat Face Couplers](#), [Skid Steer Hydraulic Couplers](#) Tags: [Industry: Aerospace](#), [Industry: Agricultural](#), [Industry: Industrial](#), [Industry: Mobile](#), [Industry: Oil & Gas](#)

- [Description](#)
- [Quick Specs](#)

DESCRIPTION

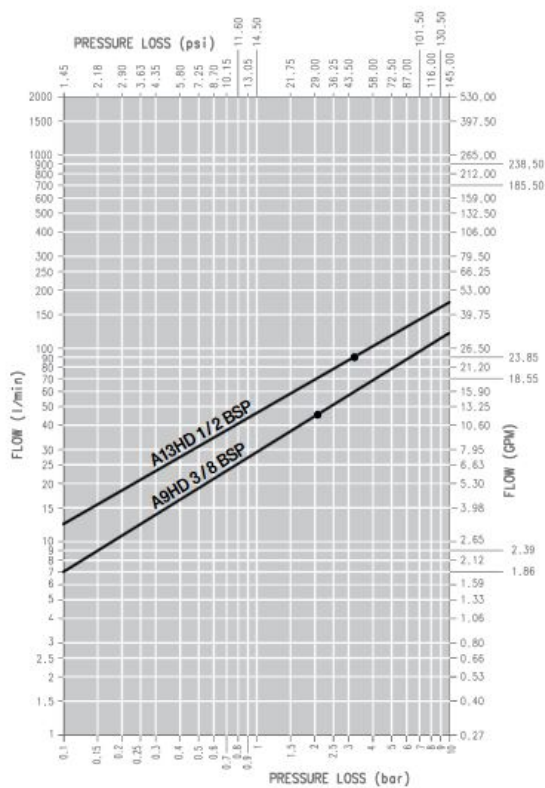
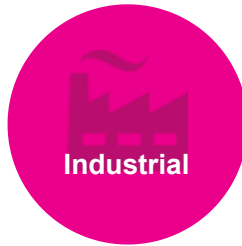
Features

- Size range: 3/8" thru 1/2"
- Port options: NPT, SAE, JIC, ORFS, BSP
- Interchanges with ISO 16028
- Connect/disconnect up to 1595 psi residual pressure
- Connect under pressure, by hand
- Flat face design eliminates leakage and contamination in the circuit

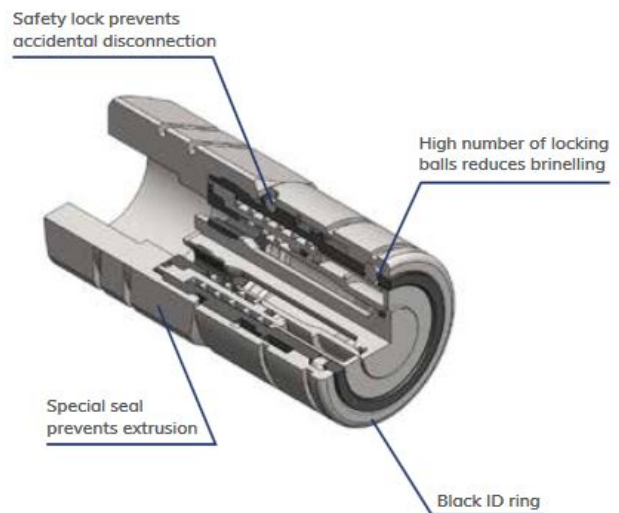
- Black ID ring

Applications

- Mobile equipment and attachment tools, where sun exposure/temperature change causes pressure due to thermal expansion of trapped fluid
- Any application where static pressure can get locked into the system



OIL = ISO VG32, TEMP = 40C, VISCOSITY = 28.8-35.2 MM²/S



Description	Nominal Size	ISO Size	Burst Pressure		Max Operating Pressure Coupled	
	inches	mm	MPa	psi	MPa	psi
A9HD	3/8	10.0	100	14500	35	5075
A13HD	1/2	12.5	100	14500	33	4785

A-HD NPT, SAE and Bulkhead Thread Female Connect Under Pressure | ISO 16028

PART	BODY SIZE	PORT SIZE	BODY TYPE	ORDER CODE	PART DESCRIPTION
A-HD NPT THREAD					
COUPLER	1/2	1/2	NPT	806801000	F. A13HD 1/2 NPT
COUPLER	1/2	3/4	NPT	806801002	F. A13HD 3/4 NPT
A-HD SAE THREAD					
COUPLER	1/2	3/4	SAE	806804000	F. A13HD 3/4 SAE
COUPLER	3/8	1/2	SAE	808304018	F. A9HDYZ BC18 1/2 SAE
COUPLER	1/2	5/8	SAE	806804006	F. A13HD 5/8 SAE
COUPLER	1/2	1/2	SAE	806804016	F. A13HD 1/2 SAE
A-HD BULKHEAD THREAD					
COUPLER	1/2	5/8	JIC BH	806806000	F. A13HD 5/8 JIC BH
COUPLER	1/2	5/8	ORFS BULKHEAD	808313004	F. A13HD 5/8 ORFS BH

ADDITIONAL INFORMATION

Body Size	<u>3/8"</u> , <u>1/2"</u>
Material	<u>Carbon</u>
Port Options	<u>BSP</u> , <u>JIC</u> , <u>NPT</u> , <u>ORFS</u> , <u>SAE</u>
Port Size	<u>3/8"</u> , <u>1/2"</u>
Valve Style	<u>Flat Face</u>
Working Pressure	<u>Up to 5000</u>

Related products

•



A-PREMIER INTERNATIONAL SERIES

The A Premier International Series offers the same higher pressure ratings, superior flow characteristics, and lower pressure drop features and benefits as the A Premier series, with convenient international BSP British or German DIN port configurations. Specifically designed for applications needing no-leak performance and the ideal solution for limiting contamination in hydraulic circuits, the non-spill design avoids fluid loss during connection and disconnection. We also have our standard A-Premier series with NPT, SAE, JIC, and ORFS port connections.

[Read more](#)

•



AG INTERCHANGE IR | IRV | IRS SERIES

The Agriculture IR Series Hydraulic Quick Couplings offer automatic shut-off during disconnection. The IR features a variety of connection mechanisms: ball (IR), poppet (IRV), push pull (IRS) or push pull sleeve connectable under residual pressure (IRS PC). Poppet or flat-face are recommended for new applications.

[Read more](#)

•



DP PLATE SERIES

The DP Series of Multi-Coupling Plates allows the simultaneous couple and uncouple of two to four hydraulic and/or electrical lines with a single, simple movement requiring very little force. The circuit lines can all have the same coupler nominal diameter and different media. A dust cap is supplied, and options include: an electrical connector for low voltage requirements and a parking station.

[Read more](#)

•



BIR SERIES

The BIR Series ISO A Interchange Couplers are one of the most popular designs worldwide, due to their durability and use of a poppet style valve for the sealing mechanism. The BIR series features a zinc plated steel coupler and zinc plated hardened steel nipple, with nitrile seals. They are available from size 1/4 to 2 inches in size, to cover the various fields of hydraulic applications.

[Read more](#)