



IVHP SERIES

The **IVHP Thread-To-Connect High Pressure Series Coupler** features a threaded sleeve for connection/disconnection. Fabricated with hardened steel and nitrile seals, it offers higher burst pressure than competitors.

Category: [High-Pressure-10000-PSI](#) Tags: [Industry: Industrial](#), [Industry: Mobile](#), [Industry: Oil & Gas](#)

-
- [Description](#)
 - [Quick Specs](#)

DESCRIPTION

FEATURES

- Size range: 1/4" thru 3/8"
- Port options: NPT
- Interchanges with Enerpac/Hydraulic Jack, Parker 3000
- Working pressure: 700 bar/10,000 psi
- Threaded sleeve for connection/disconnection

APPLICATIONS

- Construction equipment

- Emergency cutting tools, hydraulic wrenches, tools



Mobile

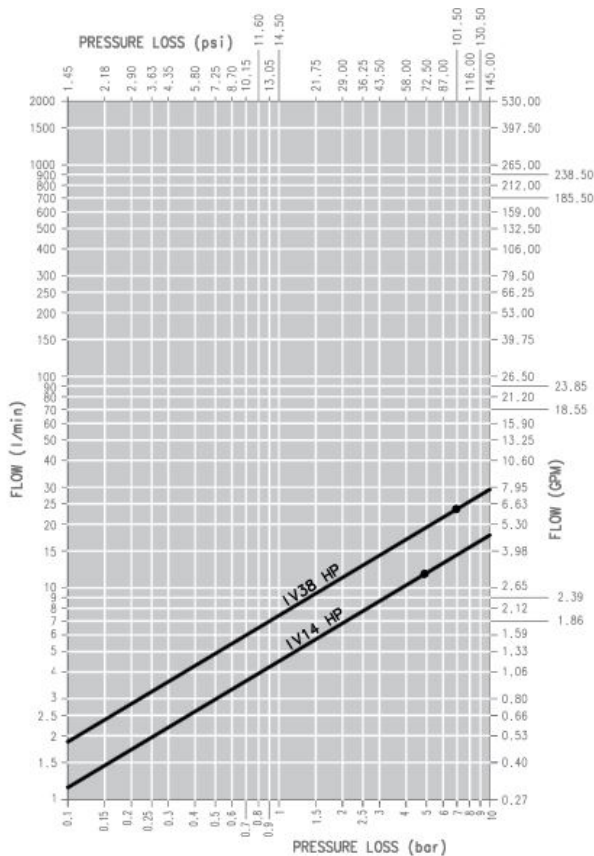


Oil & Gas

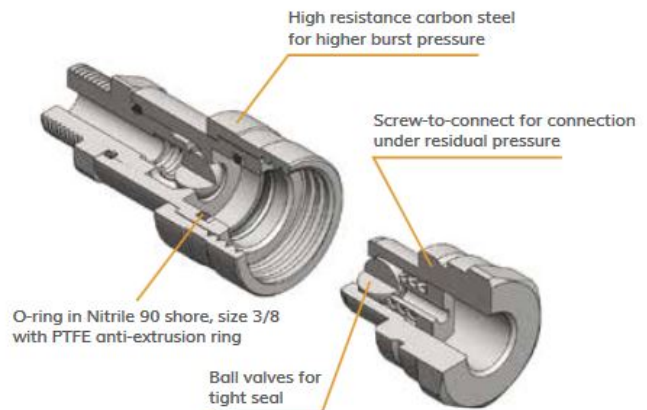


Industrial

Pressure Drop



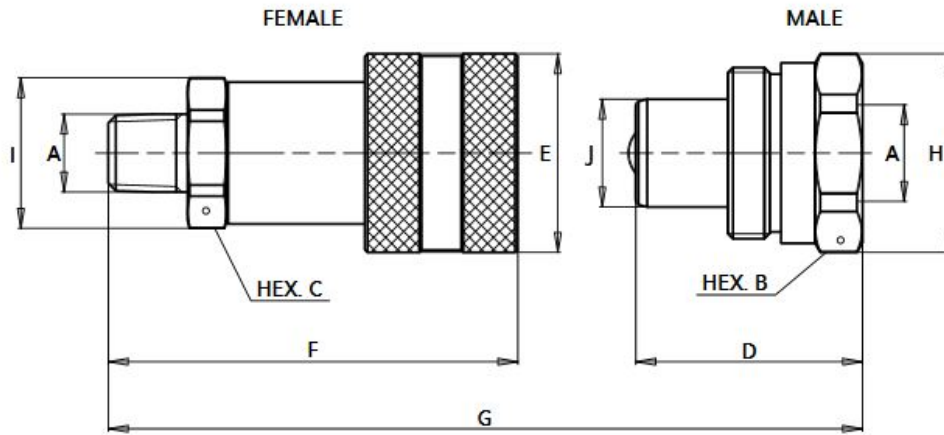
OIL = ISO VG32, TEMP = 40C, VISCOSITY = 28.8-35.2 MM²/S



Performance

	NOMINAL SIZE	ISO SIZE	MAX OPERATING PRESSURE COUPLED		BURST PRESSURE COUPLED	
DESCRIPTION	inch	mm	psi	bar	psi	bar
IVHP 1/4	1/4	6.3	700	10,000	2500	35,714
IVHP 3/8	3/8	10.0	700	10,000	2350	33,570

Size Diagram



DESC.	BODY SIZE	UNIT	A	B	C	D	E	F	G	H	UNIT
F-IV14HP	1/4	mm	28.0	20.5	98.0	24.0	-	-	-	-	kg
		inch	1.10	0.81	3.86	0.94	-	-	-	-	lb
M-IV14HP	1/4	mm	-	-	-	-	28.0	28.5	98.0	24.0	kg
		inch	-	-	-	-	1.10	1.12	3.86	0.94	lb
F-IV38HP	3/8	mm	35.0	23.5	110.0	24.0	-	-	-	-	kg
		inch	1.38	0.93	4.33	0.94	-	-	-	-	lb
M-IV38HP	3/8	mm	-	-	-	-	35.0	36.6	110.0	24.0	kg
		inch	-	-	-	-	1.38	1.44	4.33	0.94	lb

IVHP 10,000 psi NPT Thread Thread to Connect High Pressure

PART	BODYSIZE	PORTSIZE	THREADTYPE	ORDER CODE	DESCRIPTION
IVHP NPT MALE & FEMALE THREAD					
COUPLER	1/4	1/4	NPT MALE	800201008	F. IVHP 1/4 NPT EXT

NIPPLE	1/4	1/4	NPT FEMALE	800201009	M. IVHP 1/4 NPT
COUPLER	3/8	3/8	NPT MALE	800201004	F. IVHP 3/8 NPT EXT
NIPPLE	3/8	3/8	NPT FEMALE	800201005	M. IVHP 3/8 NPT
NIPPLE	1/4	1/4	NPT MALE	800201010	M. IVHP 1/4 NPT
COUPLER	3/8	3/8	NPT FEMALE	800201014	F. IVHP 3/8 NPT

IVHP Series Accessories Metal and Plastic Caps

DESCRIPTION	ORDER CODE
IVHP METAL CAPS	
CAP F. IV38HP	815605002
CAP M. IV38HP	815605003
CAP F. IV14HP	815605004
CAP M. IV14HP	815605005
IVHP PLASTIC CAPS	
CAP F. IV14HP BLACK PLASTIC	815603010
CAP M. IV14HP BLACK PLASTIC	815603011
CAP F. IV38HP BLACK PLASTIC	815603012
CAP M. IVHP38 BLACK PLASTIC	815603013



Female Plug
Plastic



Male Cap
Plastic



Female Plug
Carbon Steel



Male Cap
Carbon Steel



ADDITIONAL INFORMATION

Body Size	<u>1/4"</u> , <u>3/8"</u>
Material	<u>Carbon</u>
Port Options	<u>NPT</u>
Port Size	<u>1/4"</u> , <u>3/8"</u>
Valve Style	<u>Poppet</u>
Working Pressure	<u>10,000</u>

Related products

-



VEP SERIES

The **VEP Series** is a popular solution for hydraulic circuit applications subject to high pressure impulses and circuits which experience high residual or trapped pressure in a line. Thread-to-connect design eliminates premature wear or brinelling, a patented internal valve allows connection/disconnection with high residual pressures, and the flat face design avoids loss of hydraulic fluid and contamination into the circuit. A yellow o-ring indicator makes the VEP series even easier to work with.

[Read more](#)



VEPHDL SERIES

The VEPHDL Series Heavy-Duty Locking Flat Face Coupler is the ultimate failsafe solution for the most demanding hydraulic applications. This locking female version is interchangeable with standard VEPHD series flat face thread-to-connect heavy duty couplers and features a visual connection indicator for foolproof connection, every time.

[Read more](#)



SV2 PLATE SERIES

The SV2 Series of Multi-Coupling Plates allows the simultaneous couple and uncouple of two large diameter hydraulic lines with a single, simple movement requiring very little force. The system eliminates crossing of lines, reducing downtime and insuring couplers are fully connected. The auto-locking system insures that lines are connected safely and provides secondary retention of the connection.

[Read more](#)



SH SERIES

The SH Series H-IH Interchange Coupling features a simple-to-use, compact design constructed in carbon steel with zinc plating. The poppet valve with elastomer seal provides maximum sealing of the couplings when disconnected, to meet a variety of general purpose needs across various applications.

[Read more](#)