

**TECHNICAL DATA:**

MAX. OPERATING PRESSURE = 2.67 bar g  
 MAX. OPERATING TEMPERATURE = 80°C  
 MIN. OPERATING TEMPERATURE = -35°C

MIN. CENTRE DISTANCE FOR CLOSED CIRCUIT GAUGE = 358mm  
 MIN. CENTRE TO TOP, FOR OPEN CIRCUIT GAUGE = 315mm

ALL TEMPERATURES ARE SUBJECT TO SEAL MATERIAL & PRESSURE.

**MATERIALS:**

BACK CHANNEL = STAINLESS STEEL  
 FRONT BEZEL = BLACK COATED, RUST PROTECTED MILD STEEL. or STAINLESS STEEL.  
 REFLEX GLASS = HARDENED BOROSILICATE  
 SEAL FOR GLASS = NITRILE  
 VALVE BODIES = BRASS or STAINLESS STEEL  
 VALVE BODY SEALS = ELASTOMER

**CONNECTION TYPES:**

42mm O/D WELD TANK BOSSES AS STANDARD.  
 FLANGED, THREADED NON-WELD CONNECTIONS ARE AVAILABLE UPON REQUEST.

**TOP FITTINGS:**

SELF-CLOSING PUSHBUTTON.  
 SELF-CLOSING PUSHBUTTON WITH HYDRAULIC ACTUATION.  
 BLIND CONNECTION.  
 ASSV VENT.  
 PIPE VENTED.

**BOTTOM FITTINGS:**

SELF-CLOSING PUSHBUTTON.  
 SELF-CLOSING PUSHBUTTON WITH HYDRAULIC ACTUATION.  
 BLIND CONNECTION.  
 SELF-CLOSING WITH DRAIN VALVE.

The **Seetru Seeflex Gauge** is designed for use within the marine & offshore industries for tanks containing flammable liquids. The Seeflex gauge meets the requirements of Solas (Safety of Lives at Sea), and is also type approved by many worldwide shipping authorities, including: Det Norske Veritas (DNV), RINA, Lloyds Register of Shipping, Russian Maritime Register of Shipping (RMRS), Russian River Register (RRR), American Bureau of Shipping (ABS), Nippon Kaiji Kyokai and Bureau Veritas.

THIS GAUGE IS COMMONLY USED FOR FUEL OIL, HYDRAULIC OIL AND LUBRICATION OIL TANKS OF CARGO SHIPS & WORK BOATS.

SHT 1 OF 4 SHTS.



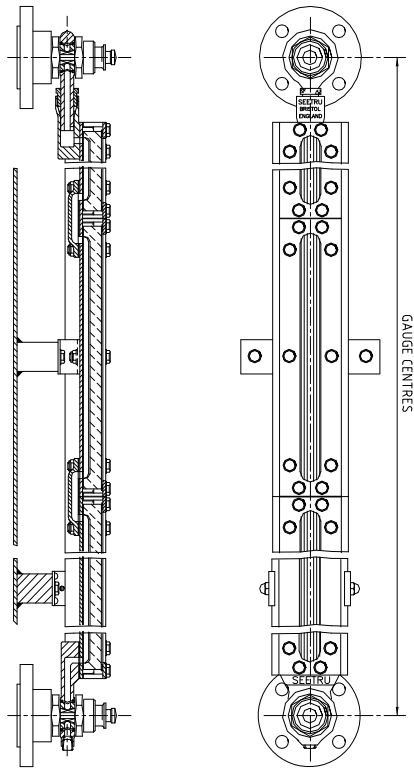
SEETRU LIMITED

SEEFLEX GAUGE

TYPE NUMBER  
G31

ALTERNATIVE CONNECTIONS:

FLANGED CONNECTION



BOTTOM OF GAUGE

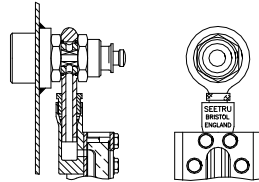
STANDARD FLANGED OPTIONS:

- DN20 PN16 (DIN)
- DN25 PN16 (DIN)
- 3/4" CL150 (ANSI)
- 1" CL150 (ANSI)

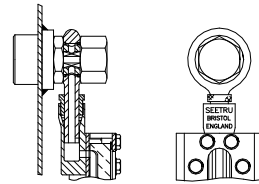
Other flanges may be available upon request.

CLOSED CIRCUIT DESIGN TOP FITTINGS

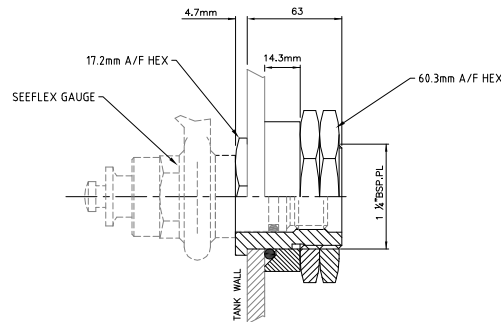
SELF CLOSING PUSHBUTTON ISOLATION VALVE



VALVELESS TANK RETURN



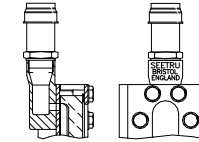
NON-WELD BOSS CONNECTION



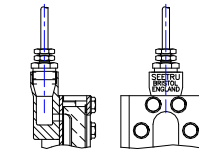
THE TANK BOSS IS ONLY SUITABLE FOR USE WITH TANKS OF WALL THICKNESS FROM 1.58mm (1/16") TO 7.9mm (5/16") HOLE DIAMETER OF 42.0mm IS REQUIRED IN THE TANK WALL.

OPEN CIRCUIT DESIGN TOP FITTINGS

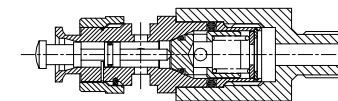
(TOP OF GAUGE MUST BE MIN. 100mm ABOVE TANK TOP)  
AUTOMATIC SAFETY VENT VALVE



PIPE UNION CONNECTION



THREADED CONNECTION



AVAILABLE G1/2" OR G3/4" BSP MALE



SEETRU LIMITED

SEEFLEX GAUGE

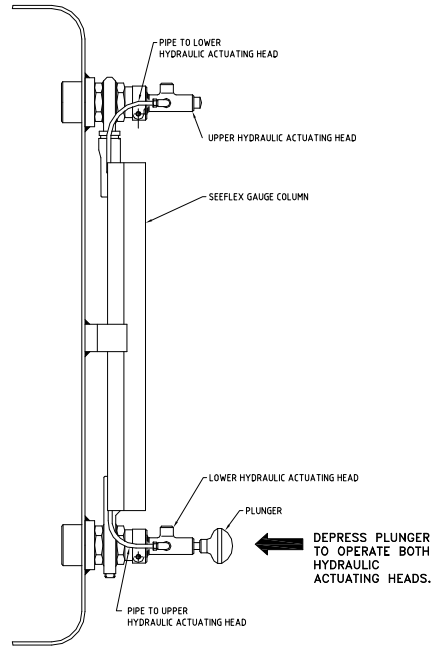
TYPE NUMBER  
G31

SHT 2 OF 4 SHTS.

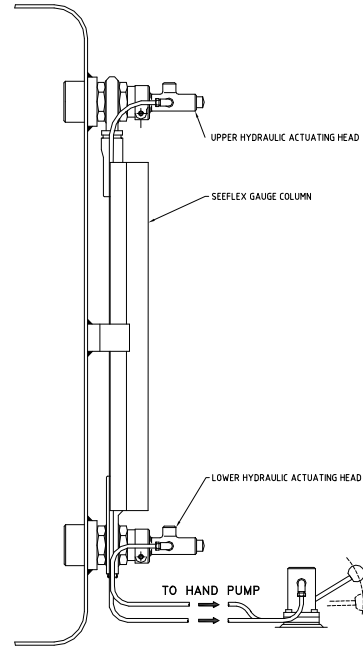
## HYDRAULIC ACTUATION

The hydraulic actuation allows you to operate more than one valve from the same location, in the case of the integral system both valves will be mounted on the same gauge and is used mainly for longer gauge that exceed 1000mm centres, the remote system allows you to operate up to 4 valves on various gauges from the same location.

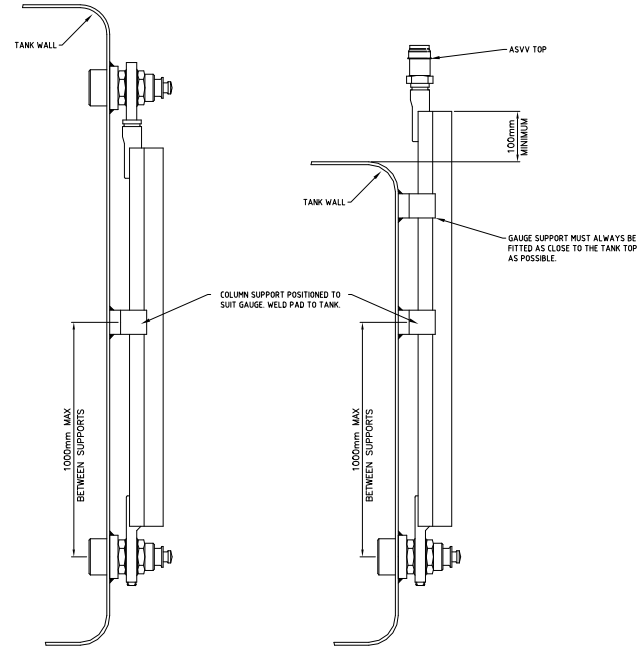
### INTERGRATED HYDRAULIC ACTUATION



### REMOTE HYDRAULIC ACTUATION



### COLUMN SUPPORTS



The remote Hydraulic Actuation allows you to operate the valve on a Seeflex gauge from a remote location. 1 pump can be used to open up to 4 valves, this can be of various combination from 4 gauges with 1 valve each to 2 gauges with valves at the top and bottom locations.

Number of isolating valves operated by single hand pump	Total allowable length of piping
1	60 metres
2	30 metres
3	20 metres
4	15 metres

Gauges that have a centre distance greater than 1000mm and open circuit gauges, will be supplied with a column support, so that the gauge can be fixed to the tank wall. The maximum distance between the gauge fixings and a column support or between 2 column supports should be 1000mm, in the case of open circuit gauges the top most column support should be fitted as close to the tank top as possible.



SEETRU LIMITED

SEEFLEX GAUGE

TYPE NUMBER  
G31

### Push-button operation

Except when a reading is being taken, the gauge is permanently isolated from the contents of the tank. To take a reading the spring-loaded valve is opened by pressing a Push-button. When released, the connection between the tank and gauge is automatically resealed.

### Safe from external damage

Due to the design of the push-button isolation valve, no amount of damage to the gauge or external fittings on the tanks can break the liquid seals. In such an event the fluids cannot escape.

### Closed circuit design.

The closed circuit design penetrates the tank wall at both top and bottom connections. The options for the top connection are either a push-button self-closing valve or valve less tank return.

### Open circuit design

This is only allowable when it is possible for the gauge column to extend above the top of the tank by at least 100 mm. The upper end of the gauge can be supplied with an automatic safety vent valves or, alternatively, a pipe union connection. The automatic safety vent will allow air to pass, but will seal against a liquid level. In the case of the pipe union connection design, a 10 mm o/d steel vent pipe is returned to the tanks or into the tank vent pipe.

### Graduation

Where a measure of the precise storage volume is required, an engraved scale plate can be provided marked with the capacity units.



SEETRU LIMITED

SEEFLEX GAUGE

TYPE NUMBER  
G31